

PRODUCT CATALOGUE · TP MOBILE 215 & 280



MOBILE & POWER FOR HEAVY DUTY

Reliable machines designed
for demanding users





RELIABLE WOOD CHIPPING
PERFECT RESULTS

WE CAME FROM THE WOODS

Our history began in 1980 with the manufacture of wood chippers for forest clearing and chip production. Our TP wood chippers are the product of our professional approach to wood chip quality and development.

TP forestry wood chippers are famous worldwide. Denmark is a flat country where trees are planted in straight rows, but this does not prevent us from having a presence in a market that needs quality products that will stand the test of time for many years.

100% DANISH

TP wood chippers are rotary disc chippers. We are experts in this technology but continue to push our limits and continue to develop our products. Our products are 100% Danish Designed and all our manufacturing takes place in Denmark. Assembly and installation all takes place at our own factory. Our ownership is Danish.



FOCUSING ON QUALITY AND DEVELOPMENT

The high technological production quality of our products is obvious. We cut using optical fibre lasers. We use bending machines and welding robots. We do our own CNC processing and powder coating. We use a special two powder coat paint treatment, which has C4 class corrosion certification. We buy quality components from Danish subcontractors, including Danfoss, SKF and Linak.



3-YEAR WARRANTY

With a full 3-year warranty, we can fully vouch for the quality of our machines. Our TP WARRANTY covers all of the components, including engine, hydraulic components, gears etc. The only thing that is not covered by the warranty is painting and standard wearing parts such as knives.

The Arborist must-have



TP 215 MOBILE

SINGLE AXLE • DIESEL

TP 215 Mobile 8" is the smaller of our large machines. With its horizontal rollers, it can process trunk diameters of up to 215 mm with the market's most aggressive feed system. Chip size is hydraulically adjusted using the feed speed. The height-adjustable ejector spout can be rotated 270°.

The 44 kW Stage V Hatz diesel engine has clean combustion and guarantees technological and quality standards that will allow you to chip wood every day. The Hatz engine also uses the newest technology to ensure that your wood chipping operations are green operations.

TP 215 Mobile can be customised to your exact requirements, whether you need single or twin axles, a straight or height adjustable drawbar, a fixed output spout or the height-adjustable TP Vario Spout.

FEATURES

- Roller opening 216x265 mm
- Wide funnel 1176 mm
 - low infeed-height 680 mm
- Low emission / fuel consumption (4L/h.)
- Auto-reverse for optimal infeed and efficient working conditions
- Dual torque – the most aggressive infeed in the market
- Hatz engine (59 hp/44 kW)
 - efficient with high torque
- TP Pilot+ functions



216 mm



59 HP



4-14 mm



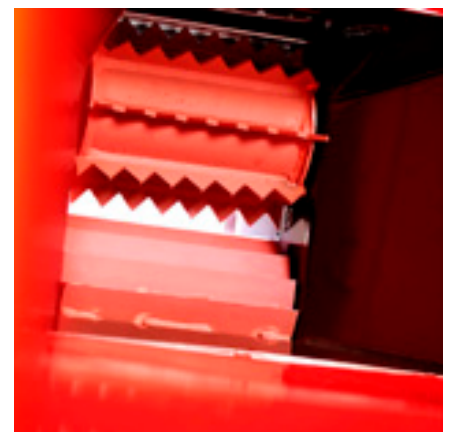
1400 kg



Hatz engine from Germany, Stage V with Bosch common rail system



TP Pilot+, Simple in use and still with excellent features for daily work



Dual Torque. Horizontal rollers with 8" roller opening (216x265 mm)



TP 215 MOBILE T

TURNTABLE • DIESEL

Our TP 215 Mobile 8" in-liner with twin axle and turntable is just one possible variant. Axles are supplied by AL-KO. Like our other mobile wood chippers, this model is also CoC type certified.

The turntable makes it easy to alter your work angle in relation to the position of the material. The machine is fitted

with rotary flashing lights to warn traffic of your presence when working by the roadside.

The wood chipper is well-balanced and stable during operation. It also has very good traction during transport. The optional TP Vario-spout gives you even greater flexibility.

Work angle turnaround



216 mm



59 HP



4-14 mm



1800 kg



Mechanical 225° turntable with 10 stops



Ergonomic design with easy handle for quick and safe turnaround access

FEATURES

- The only 8" turntable in it's class
- Wide funnel 1176 mm – low infeed-height 810 mm
- Twin axle – straight or high adjustable drawbar
- Service platform / easy access
- Flexible/turnable
- TP Vario spout – flexible out-put height
- TP Pilot+ functions

TP 215 TRACK

TRACKS • DIESEL

TP 215 Track 8" is designed to manoeuvre places it would not normally be possible to access with a wood chipper this size. Just 200 mm ground clearance means you can move it around in most places. The belt tracks are adjustable to various widths, depending on your needs and allow you to traverse slopes of up to 30°.

Together with Adler, our German track supplier for the TP 215 Track, we have developed a system to protect and shield tubing on a robust chassis.

Safety has high priority, so our TP 215 Track is only supplied as a remotely operated device. We believe that the operator is much safer when at a distance to the woodchipper while manoeuvring.

TP 215 Track can be upgraded with toolbox, winch and hook. The TP Service Box is an optional choice that allows you to always have a service kit on hand, including an extra set of blades. Like the other TP 215 models, this woodchipper is powered by a 44 kW Stage V Hatz diesel engine.

FEATURES

- Scanreco remote control (standard) – for operator safety
- TP Pilot+ (Auto Reverse, Low noise, Range control functions)
- Ground clearance 200 mm
- Reinforced hydraulic hose protection
- Solid "legs"
- Upgrade with winch and hook



216 mm



59 HP



4-14 mm



1500 kg



TP Winch for climbing steep grounds



Scanreco remote control for safety and flexibility



Ground clearance of 200 mm, easy service and reinforced hose protection. Variable track width 115-135 mm



**Tracks – when wheels
are not enough**

State-Of-The-Art



TP 280 MOBILE

SINGLE AXLE • DIESEL

TP 280 Mobile 11" is the "state-of-the-art" machine in our range of wood chippers. Its 55 kW Hatz Stage V engine makes it the absolute top model in the rotary disc wood chipper category. The two vertical rollers with a 280 mm aperture come from our forestry machine. No job is too big. When working on smaller jobs, set TP Pilot + to "City Mode" and chipping will be at 2/3 of normal RPM. Every job can be a "green" job.

The TP 280 Mobile is an "inliner". The various drawbar and axle options can be customised to your exact requirements.



Vertical infeed rollers from TP forest design



User interface with controlling, start box and TP Starter



Hatz 4H50 Stage V engine with 55.0 kw



FEATURES

- Vertical infeed rollers – forest design line
Roller opening 280x280 mm – 11"
- Wide funnel 1176 mm – low infeed-height 730 mm
- Hatz (74 HK/55 kW) high-efficiency engine
– low fuel consumption (6 L/hour)
- Oil cooler for optimized use and prolonged lifetime
- Platform for easy-service
- TP Pilot+ functions



280 mm



74 HP



6-16 mm



1900 kg



TP 280 MOBILE T

TURNTABLE • DIESEL

The TP 280 11" with turntable is the most flexible machine of its class on the market today. The turntable and TP Pilot+ create optimum and flexible working conditions for operator. With TP 280 you work green and efficient.

It is fitted with hazard lights for optimum safety.

An aggressive infeed with "shark teeth" rollers and displaced teeth produced by wear steel ensures a strong and effective vertical infeed.

High pressure hydraulic engines to secure a high turning torque on the feed rollers. Reliable wood chipper with high capacity. Covers a large working range. Optimal working tool for professional users.

Bigger, biggest Stronger, strongest



280 mm



74 HP



6-16 mm



2400 kg

FEATURES

- The only 11" turntable on the market
- Twin-axle – straight or height adjustable drawbar
- Wide funnel 1176 mm – low infeed-height 820 mm
- Service platform – easy access for service
- TP Vario spout – adjustable (electronic)
- TP Pilot+ functions



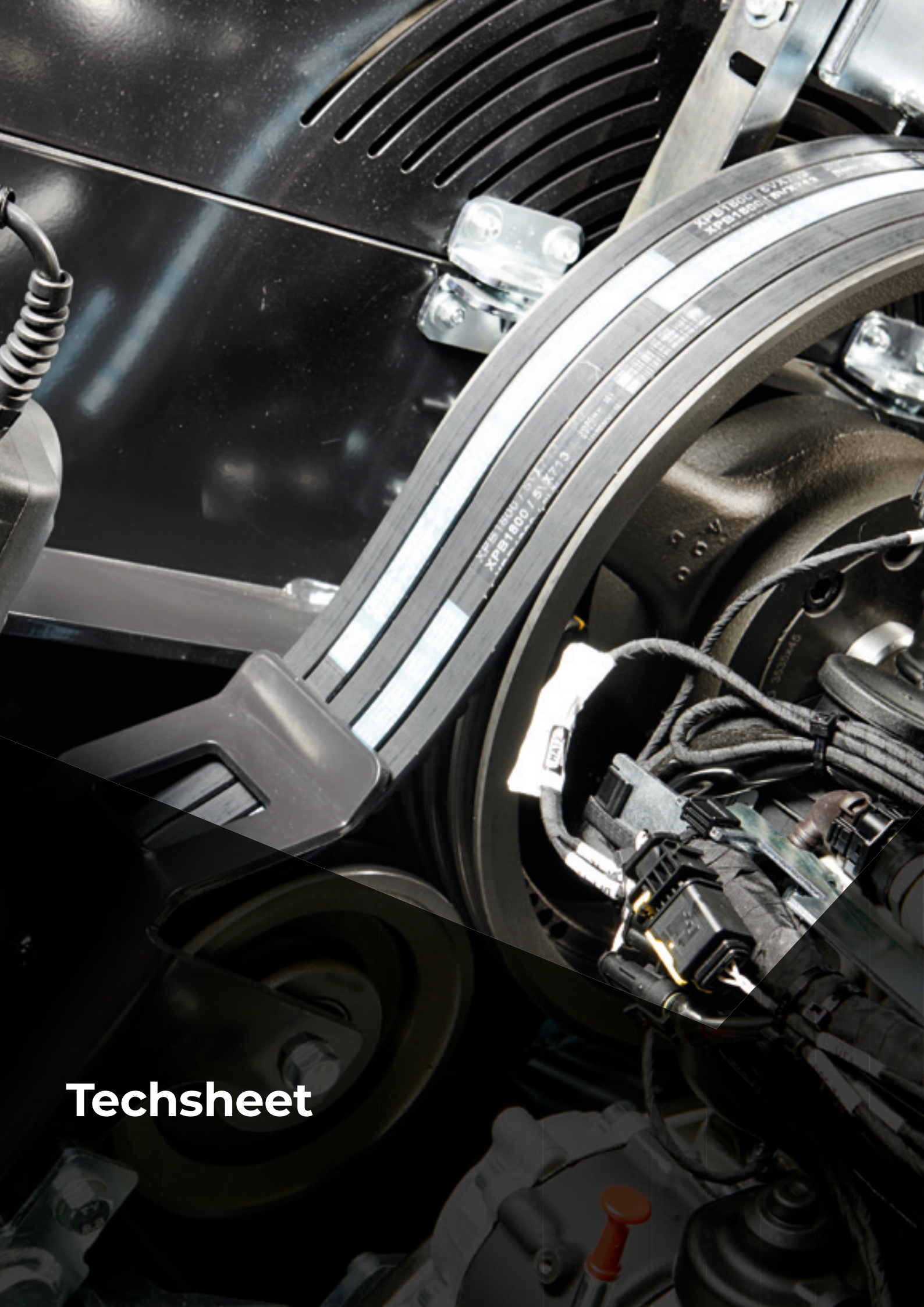
Filter for easy cleaning



TP Easy Control
Reset – Reserve – Go function



Danfoss hydraulic engine



Techsheet

INNOVATIVE CO-PILOT

TP PILOT+ IS STANDARD FOR TP 215/280 MOBILE

Our new Pilot+ is a simple digital computer. It displays what you need to know while being capable of doing much more than you can see.

We have developed three very unusual features that make TP and Pilot+ very unique.

RANGE CONTROL

- Lower noise in standby
- Decrease engine speed to 50% when machine has been inactive for 10 seconds
- Environmentally and operator friendly

AUTO REVERSE

- Prevent jamming of the infeed
- Reversing of the infeed rollers for 0.25 seconds
- Standard function

LOW NOISE FUNCTION

- Chipping with 80% rotation speed
- Perfect for smaller jobs
- Environmentally and operator friendly



FEATURES FOR TP 215 - TP 280



GENERAL FEATURES

TP 215/280 WHEELED AND TRACKED VARIANTS

- Stage V Compliant
- EC vehicle Type-approval Certificate
- Overrun braked trailer (hot-dip-galvanized) from AL-KO
- High capacity (20/25 m³/hour)
- Safety first – TP-E-Stop



TP PILOT+

PROBLEM-FREE OPERATION (NEW GENERATION)

- No stress control
- Fuel level
- Jobtimer
- Service information
- Start-up and operating mode
- Engine fault
- TP E-Stop activated

See page 15 for further functions.



TP STARTER™

PROLONGS ENGINE LIFE-TIME

- Automatic clutch system coupling/uncoupling belts
- Easy machine start-up/shut-down



TP OPTICUT

DISPLACED BLADES (BLADE SYSTEM)

- Displaced blades (4 pcs.) constantly engaging material
- Less vibrations / steadier strain
- Optimized and low fuel consumption
- Uniform chip quality



TP TWIN DISC™

DOUBLE THE DISCS – DOUBLE THE STRENGTH

- Light weight with heavy weight ranking
- Unique and solid construction inspired by the bees
- Strong out-blow



TP VARIO SPOUT™

ADJUSTABLE HEIGHT FOR FLEXIBLE OUT-PUT

- Variable out-put heights (max. height 2420 mm)
- 270° rotation
- Low storage/transport position (from 1980 mm)

For TP280 electrical adjustable Vario Spout is standard.

For TP215 the Vario Spout is manually.



STRONG ROLLERS

INFEEED ROLLERS MADE OF HARDOX STEEL

- Two infeed rollers
- Roller opening:
TP 215: 216x265 mm (horizontal)
TP 280: 280x280 mm (vertical)
- Hydraulic adjustable infeed speed (chip size 4-16 mm)
- Two strong springs on TP 215 Mobile and three on TP 280



TP EASY CONTROL

RESET – REVERSE – GO FUNCTION

- Quick and easy electronic re-start after activation of safety bar
- Placed on both sides of the funnel
- Reset for optional safety



EASY & SAFE SERVICE

SERVICE FRIENDLY LIKE NO OTHER

- 1 tool – 4 knives – 5 minutes (rotor lock eases the job)
- Easy access for daily maintenance and lubrication
- No need for special tools
- Engine and machine components fully protected



EMISSION

CLEAN WORKING ENVIRONMENT

- Exhaust through spout – operator stays clear of exhaust
- Diesel particle filter



HYDRAULIC SYSTEM

GREATER EFFECT AND OPERATIONAL RELIABILITY

- Integrated hydraulic system with it's own pump, tank, and filter
- Ensures correct pressure and oil level
- Minimizes power consumption
- Oil cooler for optimal working temperature – long life



WARRANTY

3 YEAR WARRANTY

- Extended for essential components
- Contract further buys
- Comfort for quality

COMPARE MODELS



	TP 215 MOBILE	TP 215 MOBILE T	TP 215 TRACK
Max. wood diameter	216 mm	216 mm	216 mm
Roller opening	216 x 265 mm	216 x 265 mm	216 x 265 mm
Engine make	Hatz 3H50TICD	Hatz 3H50TICD	Hatz 3H50TICD
Engine power HP/kW	59 HP / 44 kW	59 HP / 44 kW	59 HP / 44 kW
Number of cylinders	3	3	3
Torque	203 Nm	203 Nm	203 Nm
Control unit	TP STARTER/TP PILOT +	TP STARTER/TP PILOT +	TP STARTER/TP PILOT+
Fuel	Diesel	Diesel	Diesel
Tank size	52 litres	52 litres	52 litres
Fuel consumption	4 L/h (210g/kWh)	4 L/h (210g/kWh)	4 L/h (210g/kWh)
Capacity/hour	20 m ³	20 m ³	20 m ³
Woodchip size	4-14 mm	4-14 mm	4-14 mm
Adjustable woodchip size	Yes	Yes	Yes
Woodchip standard	G30/G50/G100*	G30/G50/G100*	G30/G50/G100*
Feed rollers	2	2	2
Roller position	Horizontal	Horizontal	Horizontal
Chipper type	Disc chipper	Disc chipper	Disc chipper
In-feed angle	Parallel to direction of travel	Parallel to direction of travel	Parallel to direction of travel
Chipping angle	90°	90°	90°
TP E-STOP™	Yes	Yes	Yes
TP EASY CONTROL™	Optional	Optional	Optional
TP OPTICUT	Yes	Yes	Yes
Number of knives / counterknives	4 / 3	4 / 3	4 / 3
Disc diameter / weight	760 mm / 140 kg	760 mm / 140 kg	760 mm / 140 kg
Noise level, in acc. with directive 2000/14/EC	125 dB	125 dB	125 dB
Infeed hopper width	1176 mm	1176 mm	1176 mm
Funnel height (above ground)	684 mm	810 mm	679 mm
TP VARIO SPOUT	Optional	Optional	Optional
Weight	1400 kg	1800 kg	1500 kg
Width (operation, max.)	1705 mm	1735 mm	1150 mm (1350 mm)
Height (operation, max.)	1983 mm (2716 mm)	2121 mm (2852 mm)	1892 mm (2625 mm)
Length (operation)	4395 mm (4994 mm)	4316 mm (4914 mm)	2625 mm (3365 mm)

*Requires a fitted TP CHIP KIT (optional).

To learn more about TP CHIP KIT and G standards, go to www.tpchipper.com



	TP 280 MOBILE	TP 280 MOBILE T
Max. wood diameter	280 mm	280 mm
Roller opening	280 x 280 mm	280 x 280 mm
Engine make	Hatz 4H50TICD	Hatz 4H50TICD
Engine power HP/kW	74 HP / 55 kW	74 HP / 55 kW
Number of cylinders	4	4
Torque	240 Nm	240 Nm
Control unit	TP PILOT+	TP PILOT+
Fuel	Diesel	Diesel
Tank size	75 litres	75 litres
Fuel consumption	6 L/h (210g/kWh)	6 L/h (210g/kWh)
Capacity/hour	25 m ³	25 m ³
Woodchip size	6-16 mm	6-16 mm
Adjustable woodchip size	Yes	Yes
Woodchip standard	G30/G50/G100*	G30/G50/G100*
Feed rollers	2	2
Roller position	Vertical	Vertical
Chipper type	Disc chipper	Disc chipper
In-feed angle	Parallel to direction of travel	Parallel to direction of travel
Chipping angle	90°	90°
TP E-STOP™	Yes	Yes
TP EASY CONTROL™	Yes	Yes
TP OPTICUT	Yes	Yes
Number of knives / counterknives	4 / 2	4 / 2
Disc diameter/weight	835 mm / 193 kg	835 mm / 193 kg
Noise level, in acc. with directive 2000/14/EC	125 dB	125 dB
Infeed hopper width	1176 mm	1176 mm
Funnel height (above ground)	736 mm	822 mm
TP VARIO SPOUT	Yes / Optional	Yes / Optional
Weight	1900 kg	2400 kg
Width (operation, max.)	1971 mm	2003 mm
Height (operation, max.)	2379 mm (3484 mm)	2461 mm (3568 mm)
Length (operation)	4680 mm (5599 mm)	4659 mm (5579 mm)

*Requires a fitted TP CHIP KIT (optional).

To learn more about TP CHIP KIT and G standards, go to www.tpchipper.com





SAFETY AND SERVICE

ORIGINAL WEARING PARTS – FOR SAFETY'S SAKE

TP Wood Chippers are built to deal with tough circumstances and raw materials, but of course, wearing parts cannot last forever. We always recommend that you use original wearing parts and spare parts and that you replace wearing parts at the correct time. By doing so, you achieve better woodchip quality and better fuel consumption. At the same time, you will help to optimise reliability and extend the lifetime of the wood chipper. We even continue to supply parts for TP Wood Chippers that have been in operation for over 20 years!

EXTRA SAFETY FOR THE USERS

TP E-STOP is an additional optional safety equipment consisting of four emergency stop switches located on top of the funnel and on the sides of the funnel. When one of the four emergency stops is activated, the feed rollers stop rotating. The emergency stop button must be reset before the rollers start again.

- TP E-STOP and additional optional safety kit consisting of either 2 or 4 E-STOP switches (located on the top and on the side of the funnel)
- By activation feed rollers stop rotating
- Ideal for rental/for unskilled employees

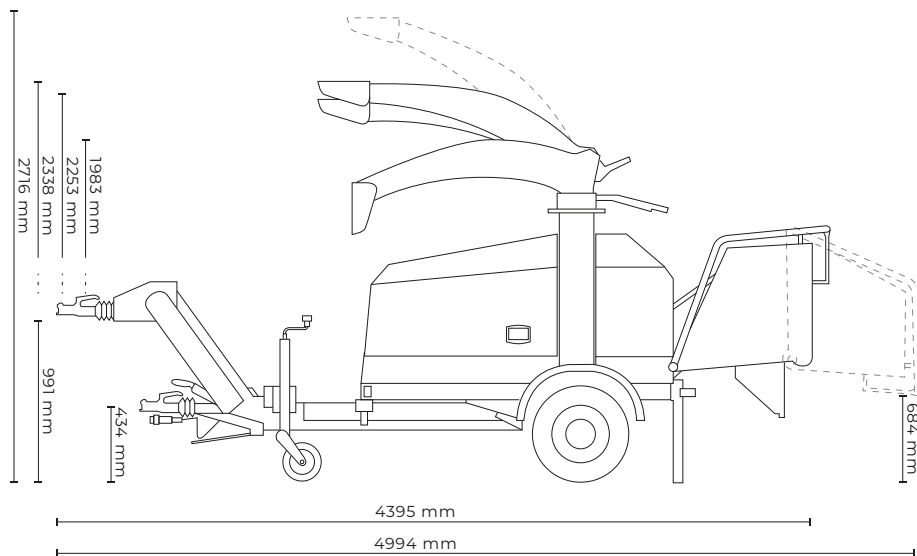
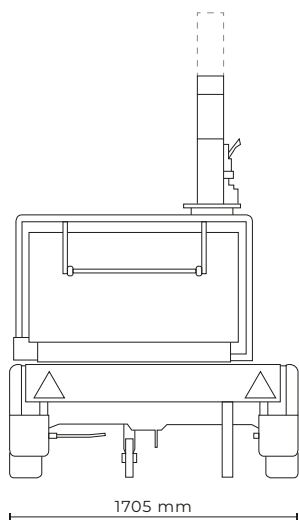


HOMOLOGATION/APPROVALS

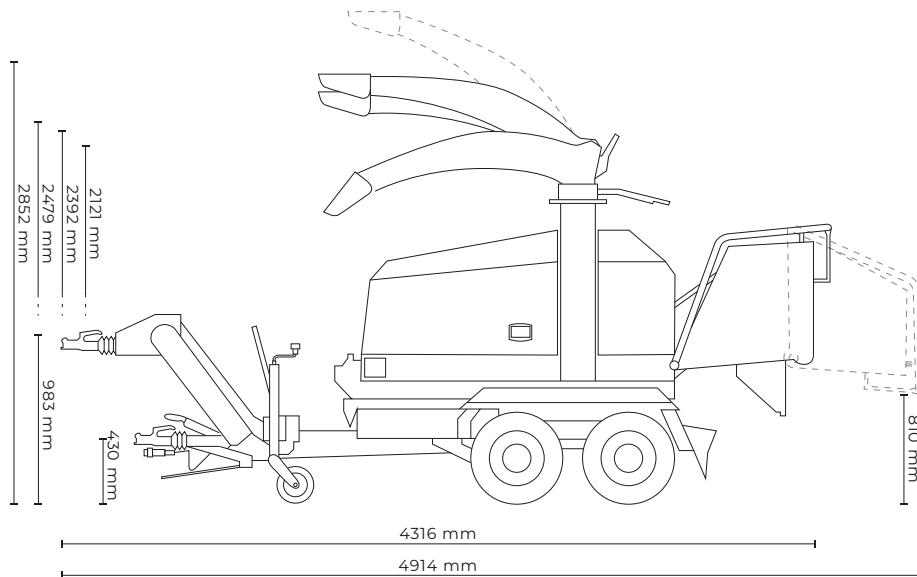
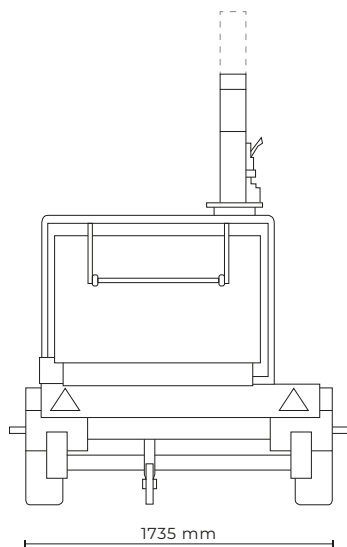
The hot-dip galvanized trailer and chassis from ALKO. Trailer includes overrun brake. The chipper is supplied with a Certificate of Conformity to show that they are fully homologated and compliant with the European Directive 2007/46/EC. The wood chipper complies with all existing safety standards (EN 13525)

TECHNICAL DRAWINGS

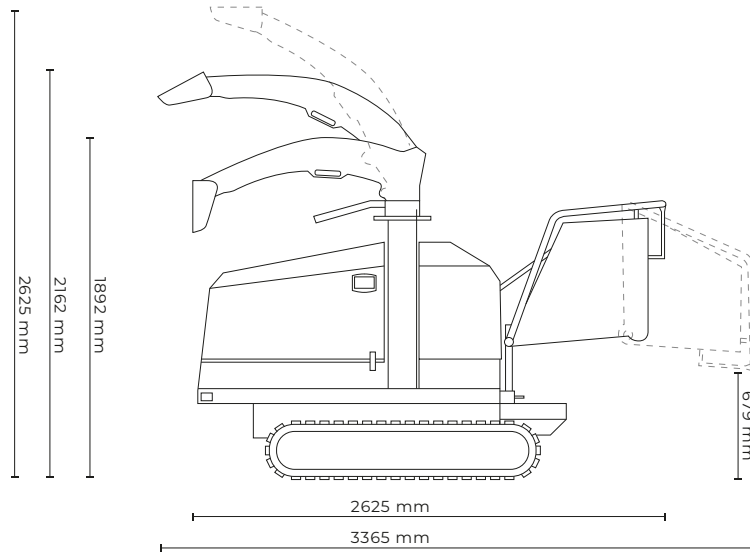
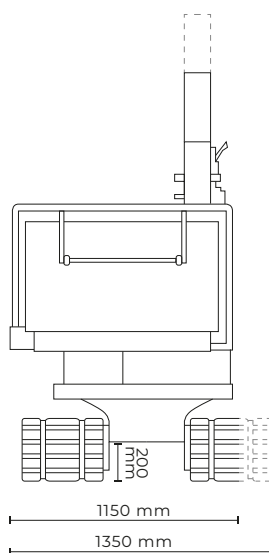
TP 215 MOBILE



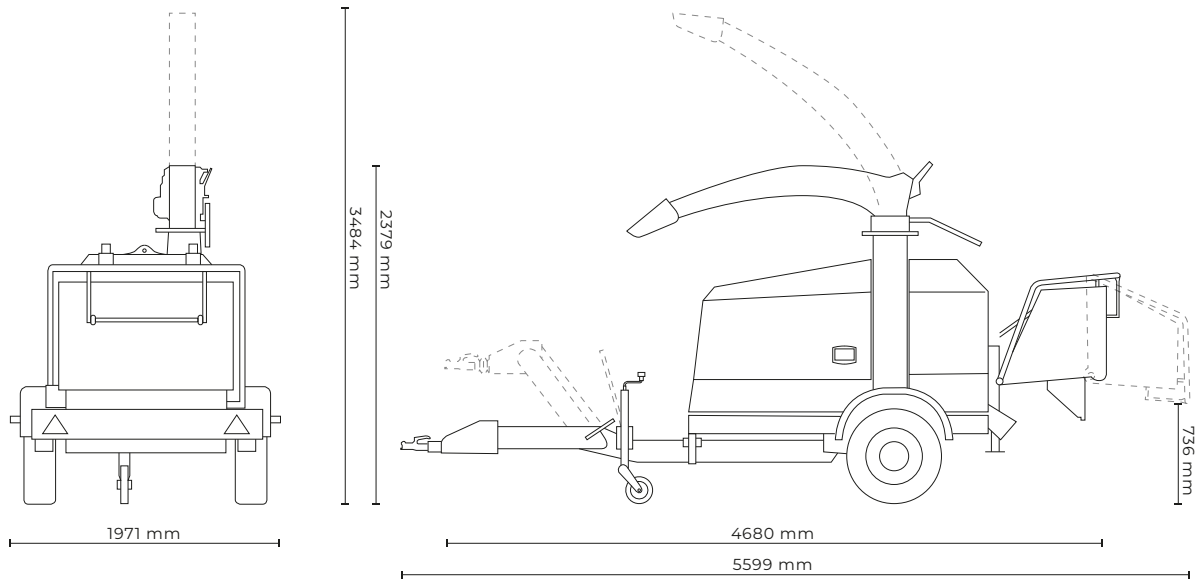
TP 215 MOBILE T



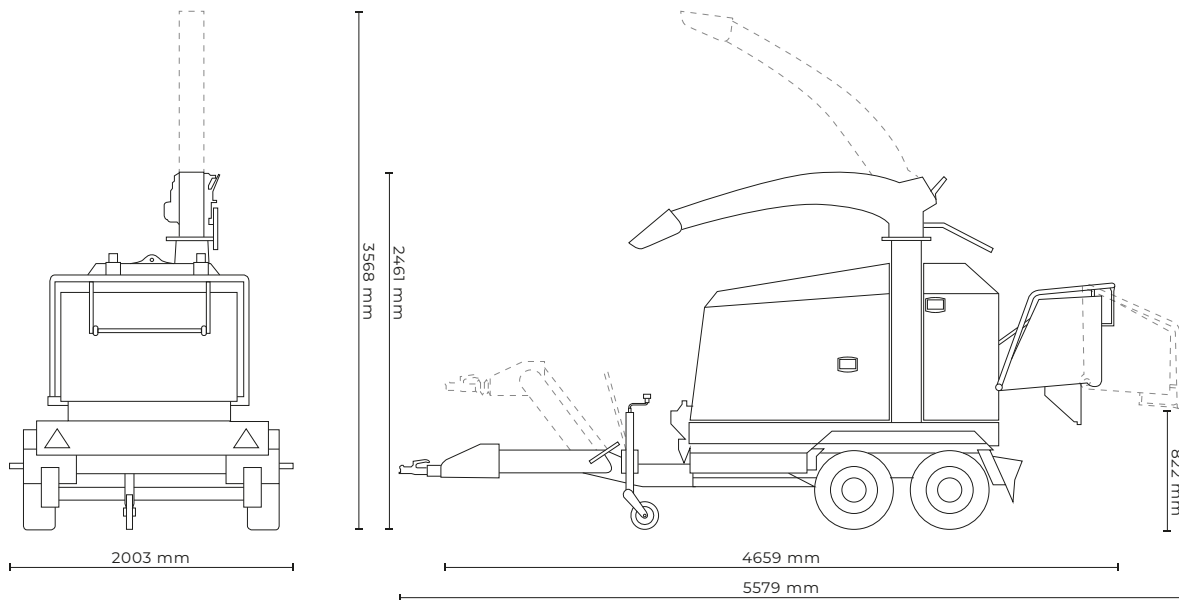
TP 215 TRACK



TP 280 MOBILE



TP 280 MOBILE T







LINDDANA A/S

Linddana A/S
Ølholm Bygade 70
7160 Tørring, Denmark

Tel.: +45 75 80 52 00
tp@linddana.com
www.linddana.com

TELEPHONE AND OPENING HOURS (CET)

Monday - Thursday 08:00 - 16:00
Friday 08:00 - 15:30

SPARE PARTS

Monday - Thursday 07:30 - 15:00
Friday 07:30 - 14:00

WOOD CHIPPERS SINCE 1980

Linddana has designed, manufactured and marketed TP Wood Chippers since 1980. Today, this Danish company is one of the world leaders in its field. Linddana supplies a strong selection of functional and reliable wood chippers for landscaping and biomass production.

TECHNOLOGY AND PEOPLE

Linddana's strong international position is founded on extensive technical expertise and a commitment to high quality, both in the selection of materials and in manufacturing processes. By combining skilled workmanship and using the latest manufacturing technology, we maintain the highest quality standards.

Dealer

