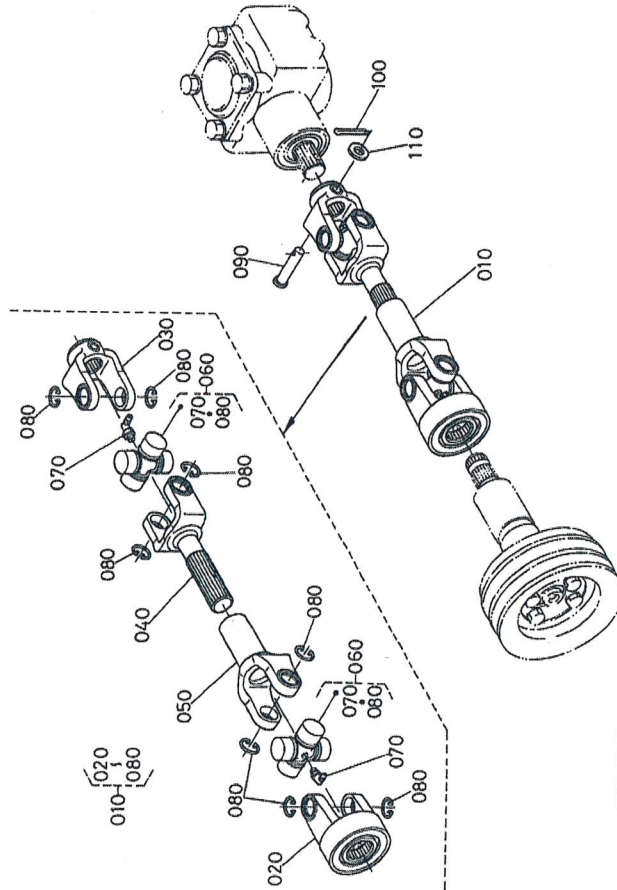
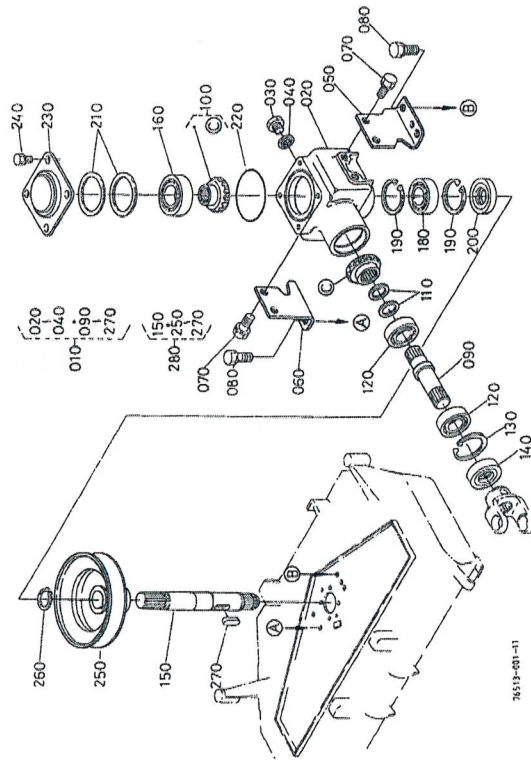


No.	Part Number	Part Name (ENG)	QTY	IC	Serial No./PIN	Kg	Remarks
010	76513-32030	JOINT,UNIV,ASY	1			3.000	
020	76539-31150	YOKE(QUICK)	1			0.550	
030	76505-31130	JOINT,PTO	1			0.420	
040	76539-31141	SHAFT,JOINT	1		<=10377	0.000	
040	76505-31190	SHAFT(JOINT)	1	=	>=10378	0.900	
050	76539-31170	YOKE,SLEEVE	1			0.650	
060	76539-31180	JOINT,ASSY (CROSS)	2			0.200	
070	76539-31210	NIPPLE,GREASE	2			0.010	
080	76539-32120	RING,SNAP	8			0.003	
090	05122-50845	PIN,JOINT	1			0.018	
100	05511-50218	PIN,SPLIT	1			0.001	
110	04012-50080	WASHER,PLAIN	1			0.001	



76505-015-10

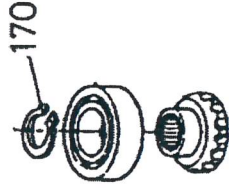
No.	Part Number	Part Name (ENG)	QTY	IC	Serial No./PIN	Kg	Remarks
010	70713-99172	ASSY CASE,BEVEL GEAR	1		<=10737	0.000	
010	70713-99174	ASSY CASE,BEVEL GEAR	1	>>	>=10738	6.200	
020	70712-33113	CASE,BEVEL GEAR	1			3.160	
030	01173-51014	HEX.BOLT	2			0.015	
040	04717-01000	WASHER,SEAL	2			0.001	
050	76538-33130	STAY,BEVEL CASE LH	1			0.350	
060	76501-33150	STAY,BEVEL CASE RH	1			0.350	
070	01133-51222	BOLT,SEMS	4			0.036	
080	01133-51228	BOLT,SEMS	4			0.040	
090	70712-33310	SHAFT,PINION	1			0.400	
100	70713-33320	GEAR,BEVEL,KIT	1			0.400	22-15T
110	70720-33350	SHIM	1			0.001	0.2MM
110	70720-33360	SHIM	1			0.001	0.3MM
120	08101-06205	BEARING,BALL	2			0.120	
130	04611-00520	CIR-CLIP,INTERNAL	1			0.009	
140	76535-33440	SEAL,OIL	1			0.020	
150	70712-33513	SHAFT,BEVEL GEAR	1			0.670	
160	70712-33550	BEARING,BALL	1			0.220	
180	08101-06205	BEARING,BALL	1			0.120	
190	04611-00520	CIR-CLIP,INTERNAL	2			0.009	
200	76535-33440	SEAL,OIL	1			0.020	
210	76539-33410	SHIM	1			0.001	0.2MM
210	76539-33590	SHIM	1			0.005	0.3MM
220	04811-10800	O RING	1			0.001	
230	70712-33610	COVER,BEVEL CASE	1			0.200	
240	01123-60814	BOLT	4			0.010	
250	70712-99750	PULLEY,CENTER	1			0.700	
260	04612-00250	CIR-CLIP,EXTERNAL	1			0.002	
270	05712-00728	KEY,FEATHER	1			0.010	



3513-001-11

No.	Part Number	Part Name (ENG)	QTY	IC	Serial No./PIN	Kg	Remarks
280	70712-99053	ASSY PULLEY,CENTE R	1		<=10737	0.000	
280	70712-99723	ASSY PULLEY,CENTE R	1	>>	>=10738	1.360	

170 04612-00220

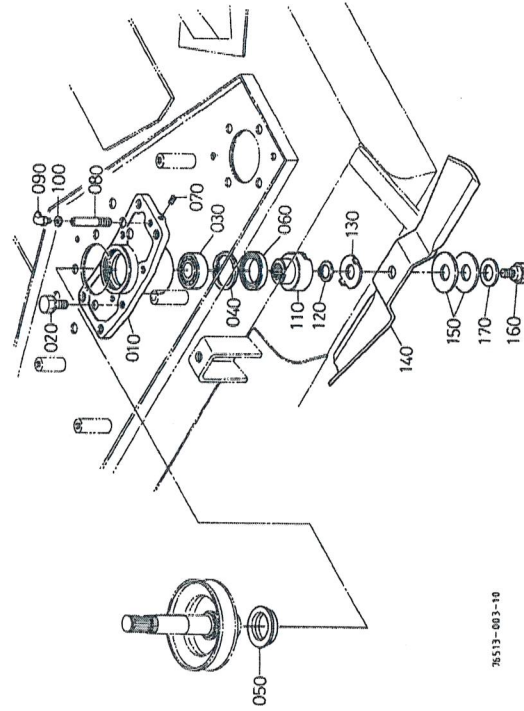


BKIDA0095 >> RC40-G17R >> MOWER >> G095-1 GEAR BOX/CENTER PULLEY

Update Date : 09-06-2016 Print Date : 17-04-2020

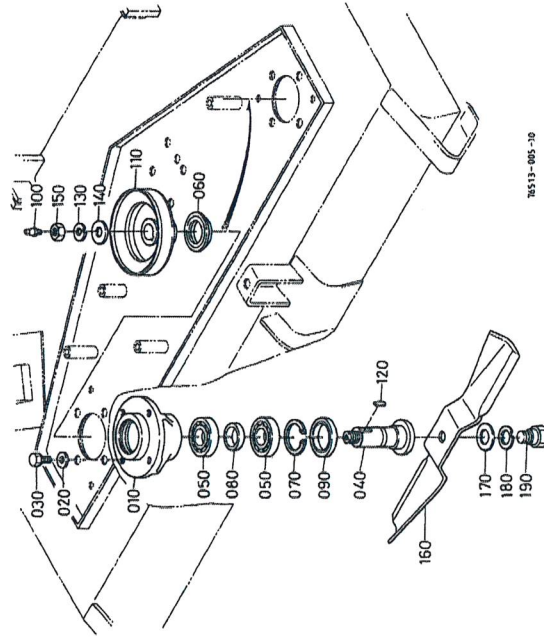
No.	Part Number	Part Name (ENG)	QTY	IC	Serial No./PIN	Kg	Remarks
170	04612-00220	CIR- CLIP,EXTERNA L	1		<=10737	0.001	

No.	Part Number	Part Name (ENG)	QTY	IC	Serial No./PIN	Kg	Remarks
010	76503-34110	HOLDER,PULL EY	1			2.060	
020	01133-51020	BOLT,SEMS	4			0.020	
030	08101-06205	BEARING,BALL	1			0.120	
040	04611-00520	CIR- CLIP,INTERNAL	1			0.009	
050	70722-34120	SEAL,OIL	1			0.025	
060	09500-35528	SEAL,OIL	1		<=10680	0.017	
060	70725-34162	SEAL,OIL	1	>>	>=10681	0.024	
070	03410-50606	SCREW,SLOTT ED	1			0.001	
080	76538-34130	PIPE,EXTENSI ON	1			0.050	
090	67111-44250	NIPPLE,GREAS E	1			0.005	
090	H6660-99100	NIPPLE,GREAS E	1	>>		0.005	
100	66616-34390	SHIM	1			0.001	
110	70712-34150	BOSS,BLADE	1			0.370	
120	04612-00220	CIR- CLIP,EXTERN AL	1			0.001	
130	70722-34320	PLATE,FRICTIO N	1			0.020	
140	76501-34331	BLADE	1		<=10690	0.000	
140	76501-34333	BLADE	1	=	>=10691	0.000	
150	70722-34350	RETAINER,BLA DE	2			0.055	
160	70722-34374	BOLT,LOCKING BLADE	1			0.100	
170	70722-34390	WASHER,LOCK	1			0.009	



76513-083-10

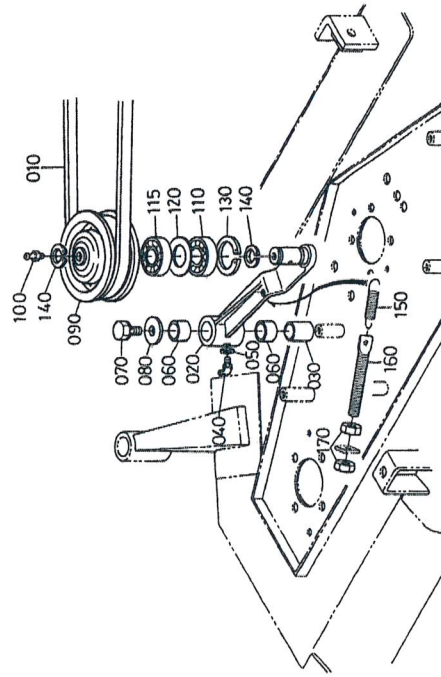
No.	Part Number	Part Name (ENG)	QTY	IC	Serial No./PIN	Kg	Remarks
010	76503-34510	HOLDER,PULL EY	2			1.350	
020	04013-60100	WASHER,PLAI N	8			0.003	
030	01133-51022	BOLT,SEMS	8			0.025	
040	70713-34533	SHAFT, BLADE	2			0.450	
050	08101-06205	BEARING,BALL	4			0.120	
060	70722-34120	SEAL,OIL	2			0.025	
070	04611-00520	CIR- CLIP,INTERNAL	2			0.009	
080	70712-34550	PIECE,DISTAN CE	2			0.120	
090	09500-35528	SEAL,OIL	2		<=10680	0.017	
090	70725-34162	SEAL,OIL	2	>>	>=10681	0.024	
100	06613-10675	NIPPLE,GREAS E	2			0.003	
110	70712-99780	PULLEY,SIDE	2			0.620	
120	05712-00722	KEY, FEATHER	2			0.009	
130	04512-50160	WASHER,SPRI NG LOCK	2			0.010	
140	70721-34560	WASHER,PLAI N	2			0.010	
150	02172-50160	HEX,NUT	2			0.017	
160	76501-34331	BLADE	2		<=10690	0.000	
160	76501-34333	BLADE	2	=	>=10691	0.000	
170	70713-34350	WASHER,PLAI N	2			0.088	
180	04512-50180	WASHER,SPRI NG LOCK	2			0.015	
190	70713-34363	BOLT	2		<=10266	0.000	
190	70713-34364	BOLT	2	>>	>=10267	0.105	



Print Date : 21-04-2020

No.	Part Number	Part Name(ENG)	Qty	Model
110	T0070-31410	TIMER,KEY STOP	1	GR1600EC2

No.	Part Number	Part Name (ENG)	QTY	IC	Serial No./PIN	Kg	Remarks
010	70713-34770	BELT	1			0.324	
020	76503-34730	ARM,TENSION	1			0.560	
030	70712-34780	COLLAR,TENSION	1			0.110	
040	67111-44250	NIPPLE,GREASE	1			0.005	
040	H6660-99100	NIPPLE,GREASE	1	>>		0.005	
050	66616-34390	SHIM	1			0.001	
060	08511-02812	BUSH	2			0.020	
070	01123-60814	BOLT	1			0.010	
080	70712-34790	WASHER,PLAIN	1			0.010	
090	76543-34740	PULLEY,TENSION	1		<=10517	0.700	
090	76543-34880	PULLEY,TENSION	1	NI	>=10518	0.700	
100	06613-10675	NIPPLE,GREASE	1		<=10517	0.003	
100	76543-12100	NIPPLE,GREASE	1	NI	>=10518	0.003	
110	08111-06203	BEARING,BALL	2		<=10517	0.065	
110	08111-06203	BEARING,BALL	1		>=10518	0.065	
115	08101-06203	BEARING,BALL	1		>=10518	0.063	
120	76543-34720	COLLAR,BEARING	1			0.008	
130	04611-00400	CIR CLIP,INTERNAL	1			0.004	
140	04612-00170	CIR CLIP,EXTERNAL	2			0.001	
150	76501-34750	SPRING,TENSION	1			0.120	
160	76501-34772	BOLT,TENSION	1			0.040	
170	02118-50100	HEX NUT	2			0.005	

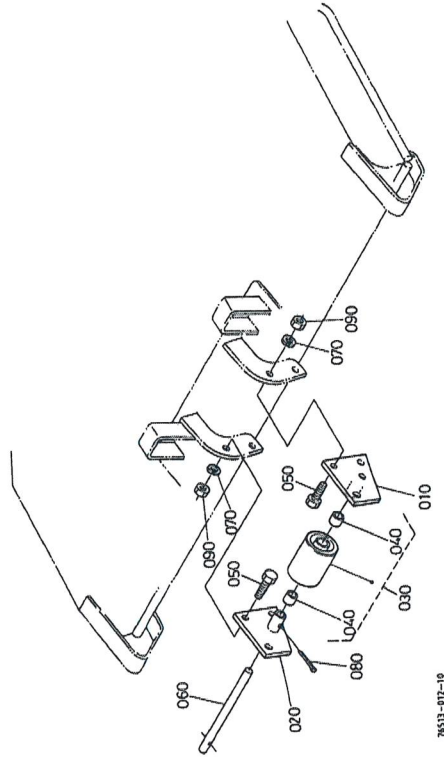


76513-007-10

Print Date : 21-04-2020

No.	Part Number	Part Name(ENG)	Qty	Model
110	T0070-31410	TIMER,KEY STOP	1	GR1600EC2

No.	Part Number	Part Name (ENG)	QTY	IC	Serial No./PIN	Kg	Remarks
010	76513-44810	BRACKET,LH	1			0.510	
020	76513-44820	BRACKET,RH	1			0.520	
030	76501-46160	ROLLER,ASSY	1			0.660	
040	08511-01220	BUSH	2			0.004	
050	01173-51030	HEX,BOLT	4			0.023	
060	76505-46181	PIN,GAUGE WHEEL	1		<=10195	0.000	
060	76505-46182	PIN,GAUGE WHEEL	1	NI	>=10196	0.220	
070	04512-60100	WASHER,SPRING LOCK	4			0.002	
080	05511-50525	PIN,SPLIT	1		<=10195	0.005	
080	05511-50530	PIN,SPLIT	1	NI	>=10196	0.006	
090	02118-50100	HEX,NUT	4			0.005	

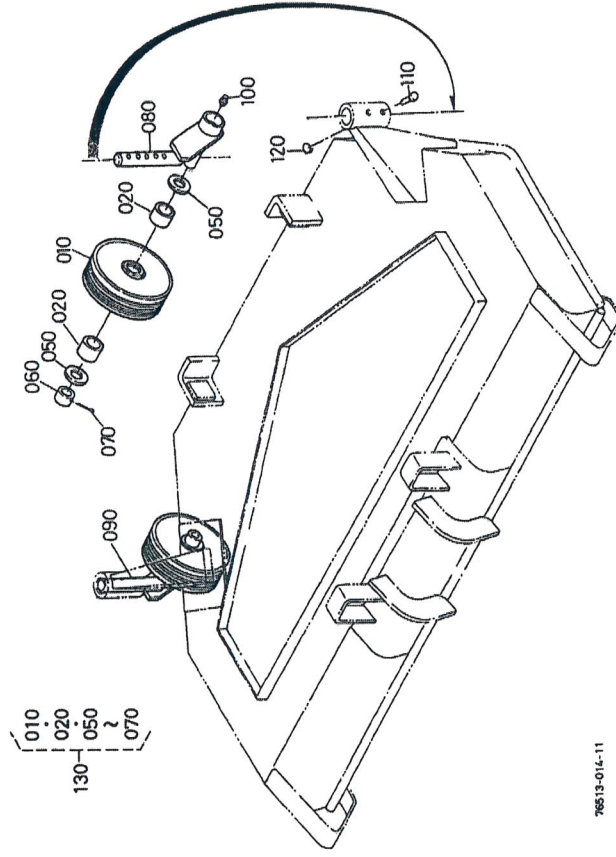


76513-017-10

Print Date : 21-04-2020

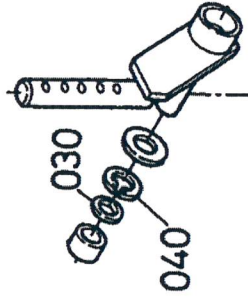
No.	Part Number	Part Name(ENG)	Qty	Model
110	T0070-31410	TIMER,KEY STOP	1	GR1600EC2

No.	Part Number	Part Name (ENG)	QTY	IC	Serial No./PIN	Kg	Remarks
010	70712-42110	REAR WHEEL	2			1.200	
020	70712-44190	BUSH	4			0.030	
050	04013-50200	WASHER, PLAIN	4			0.020	
060	70712-42140	COLLAR	2			0.068	
070	05511-50545	PIN, SPLIT	2			0.010	
080	70712-42150	SHAFT, LH	1			1.070	
090	70712-42170	SHAFT, RH	1			1.070	
100	06613-10010	NIPPLE, GREASE	2			0.006	
110	05122-50845	PIN JOINT	2			0.018	
120	70712-42190	RING, SNAP	2			0.002	
130	70712-99500	KIT WHEEL	2			1.380	



76813-014-11

030 09220-20284
 040 04611-00280



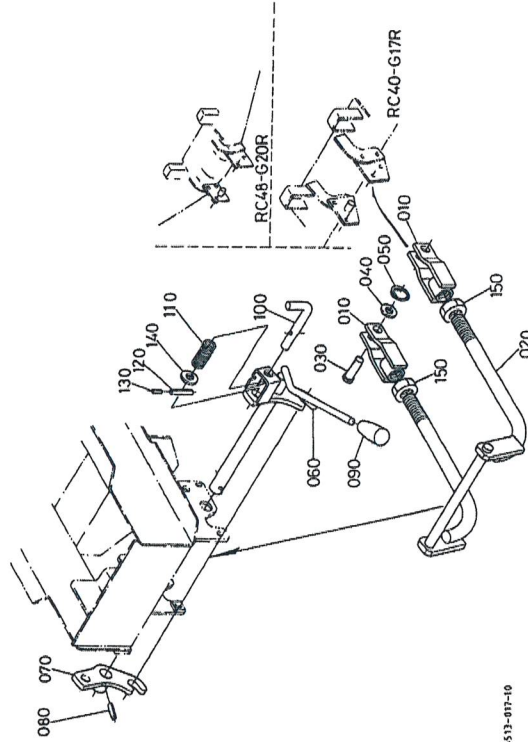
No.	Part Number	Part Name (ENG)	QTY	IC	Serial No./PIN	Kg	Remarks
030	09220-20284	SEAL,OIL	4		<=10196	0.004	
030	H0920-20280	SEAL,OIL	4	>>	<=10196	0.004	
040	04611-00280	C/P. CLIP,INTERNAL	4		<=10196	0.002	

76513-800-10

Print Date : 21-04-2020

No.	Part Number	Part Name(ENG)	Qty	Model
110	T0070-31410	TIMER,KEY STOP	1	GR1600EC2

No.	Part Number	Part Name (ENG)	QTY	IC	Serial No./PIN	Kg	Remarks
010	76508-44630	LINK,FRONT	2			0.280	
020	76509-11300	LINK,FRONT	1			2.200	
030	05122-51435	PIN,JOINT	2			0.050	
040	04011-50140	WASHER,PLAIN	2			0.007	
050	70712-51140	RING,SNAP	2			0.009	
060	76508-44580	LEVER,LINK FULCRUM	1			1.140	
070	76508-44590	HOLDER,LINK	1			0.260	
080	05411-00630	PIN,SPRING	1			0.004	
090	06914-00120	GRIP,LEVER	1			0.018	
100	76539-44540	PIN,HINGE	1			0.150	
110	76539-44560	SPRING,HINGE PIN	1			0.005	
120	05411-00540	PIN,SPRING	1			0.004	
130	05411-00320	PIN,SPRING	1			0.001	
140	04011-50140	WASHER,PLAIN	1			0.007	
150	02172-50200	HEX,NUT	2			0.030	



76513-017-10

Print Date : 21-04-2020

No.	Part Number	Part Name(ENG)	Qty	Model
110	T0070-31410	TIMER,KEY STOP	1	GR1600EC2