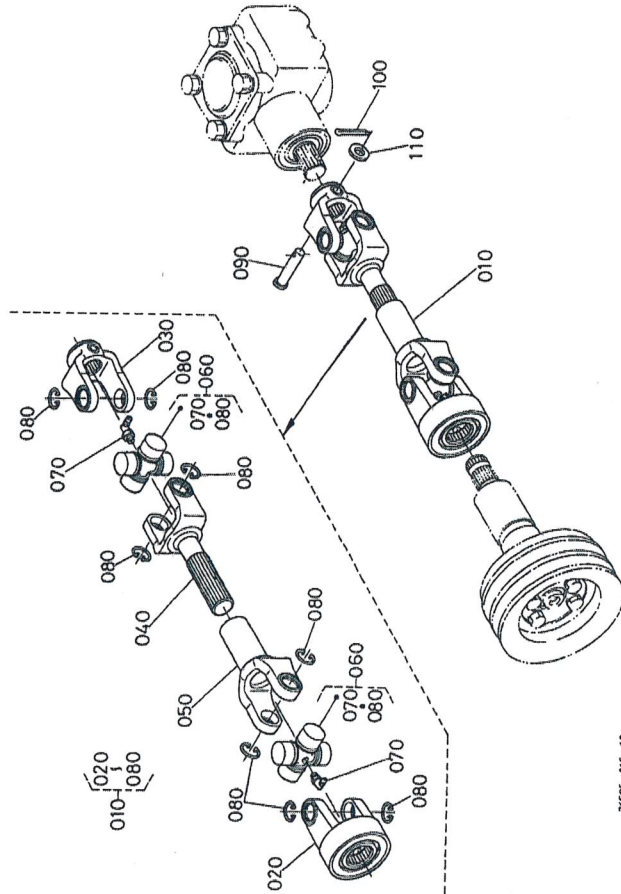
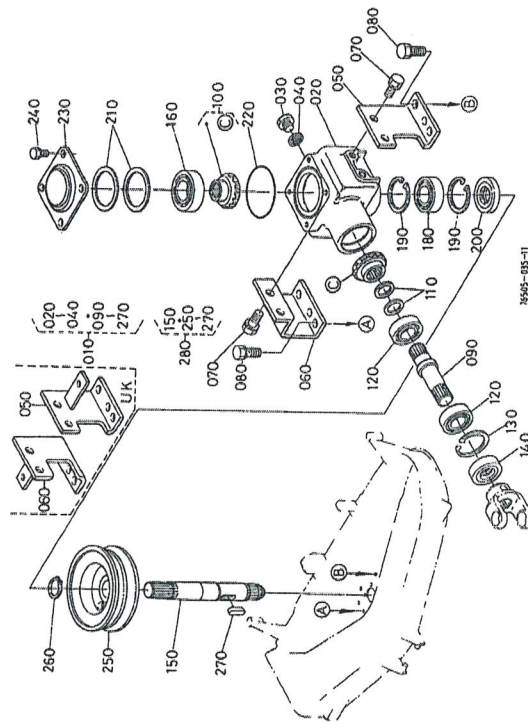


No.	Part Number	Part Name (ENG)	QTY	IC	Serial No./PIN	Kg	Remarks
010	76505-32040	JOINT,UNIV,ASSY	1			2.900	2WS
010	76505-32030	ASSY JOINT,UNIVERSAL	1			2.500	4WS
020	76539-31150	YOKE(QUICK)	1			0.550	2WS
020	76508-31150	YOKE,QUICK	1			0.600	4WS
030	76505-31130	JOINT,PTO	1			0.420	2WS
030	76508-31130	YOKE,PTO	1			0.330	4WS
040	76505-31190	SHAFT,(JOINT)	1			0.900	2WS
040	76505-31140	SHAFT,,JOINT	1			0.630	4WS
050	76505-31200	YOKE,(JOINT)	1			0.600	2WS
050	76505-31170	YOKE,,JOINT	1			0.510	4WS
060	76539-31180	JOINT,ASSY (CROSS)	2			0.200	2WS
060	76508-31180	JOINT,ASSY (CROSS)	2			0.230	4WS
070	76539-31210	NIPPLE,GREASE	2			0.010	2WS
070	76508-31210	NIPPLE,GREASE	2			0.050	4WS
080	76539-32120	RING,SNAP	8			0.003	2WS
080	76508-32120	RING,SNAP	8			0.010	4WS
090	05122-50845	PIN,JOINT	1			0.018	
100	08511-50218	PIN,SPLIT	1			0.001	
110	04012-50080	WASHER,PLAIN	1			0.001	

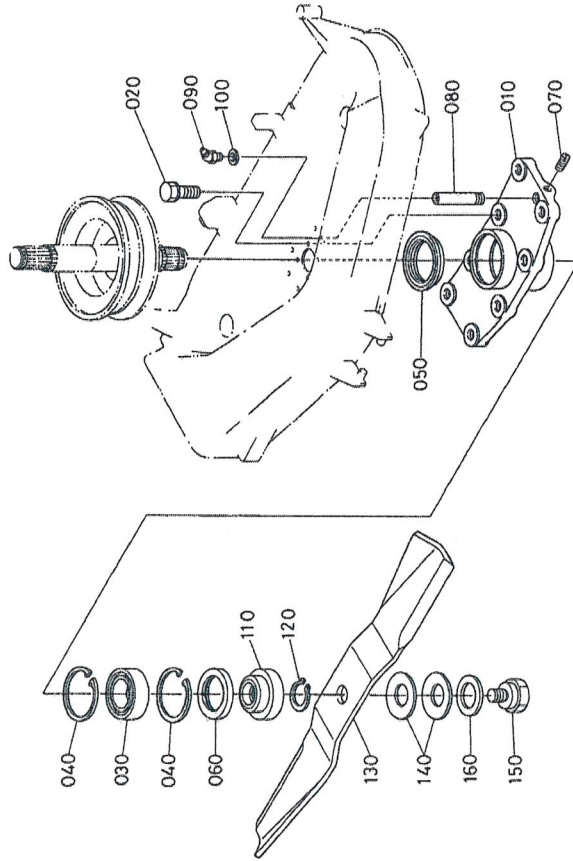


76505-015-10



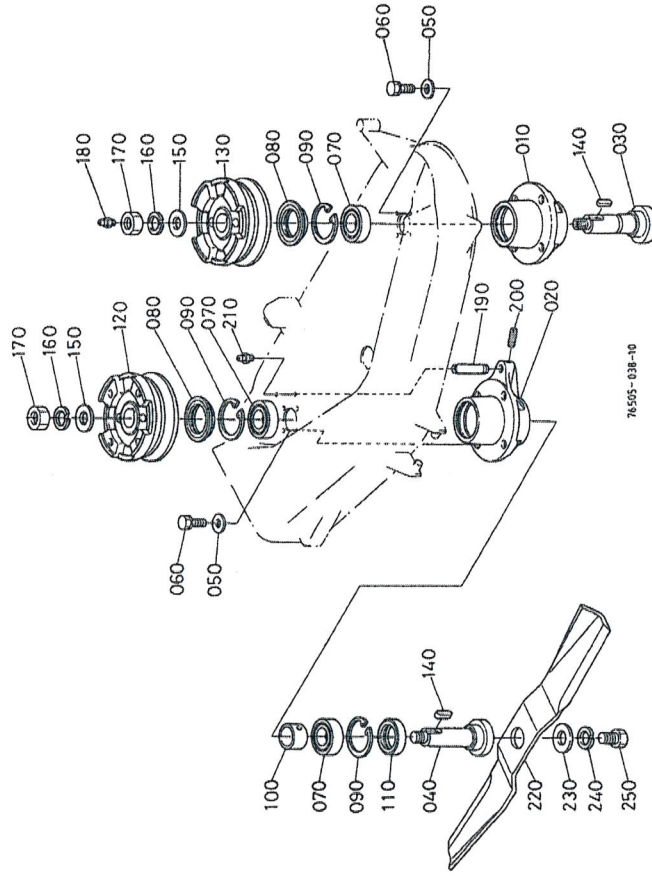
No.	Part Number	Part Name (ENG)	QTY	IC	Serial No./PIN	Kg	Remarks
010	76505-99060	ASSY CASE,BEVEL GEAR	1		<=11258	0.000	[FR]2WS
010	76505-99062	ASSY CASE,BEVEL GEAR	1	>>	>=11259	7.340	[FR]2WS
010	76505-99060	ASSY CASE,BEVEL GEAR	1		<=11190	0.000	[FR]4WS
010	76505-99062	ASSY CASE,BEVEL GEAR	1	>>	>=11191	7.340	[FR]4WS
010	76505-99060	ASSY CASE,BEVEL GEAR	1		<=11399	0.000	[UK]2WS
010	76505-99062	ASSY CASE,BEVEL GEAR	1	>>	>=11400	7.340	[UK]2WS
010	76505-99060	ASSY CASE,BEVEL GEAR	1		<=10963	0.000	[UK]4WS
010	76505-99062	ASSY CASE,BEVEL GEAR	1	>>	>=10964	7.340	[UK]4WS
020	70712-33113	CASE,BEVEL GEAR	1			3.160	
030	01173-51014	HEX,BOLT	2			0.015	
040	04717-01000	WASHER,SEAL	2			0.001	
050	76505-33130	STAY,BEVEL CASE LH	1			0.380	[FR]
050	76505-11130	STAY,BEVEL CASE LH	1			0.430	[UK]
060	76505-33150	STAY,BEVEL CASE RH	1		<=10523	0.000	[FR]2WS
060	76505-33152	STAY,BEVEL CASE RH	1	>>	>=10524	0.400	[FR]2WS
060	76505-33150	STAY,BEVEL CASE RH	1		<=10259	0.000	[FR]4WS
060	76505-33152	STAY,BEVEL CASE RH	1	>>	>=10260	0.400	[FR]4WS
060	76505-11150	STAY,BEVEL CASE RH	1			0.400	[UK]
070	01133-51222	BOLT,SEMS	4			0.036	
080	01133-51228	BOLT,SEMS	4			0.040	
090	70712-33310	SHAFT,PINION	1			0.400	
100	76505-33320	KIT GEAR,BEVEL	1			0.260	21-16T
110	70720-33350	SHIM	1			0.001	0.2MM
110	70720-33360	SHIM	1			0.001	0.3MM

No.	Part Number	Part Name (ENG)	QTY	IC	Serial No./PIN	Kg	Remarks
010	76505-34110	HOLDER,PULL EY	1			1.800	
020	01133-51225	BOLT,SEMS	4			0.035	
030	08101-06205	BEARING,BALL	1			0.120	
040	04611-00520	CIR- CLIP,INTERNAL	2			0.009	
050	70722-34120	SEAL,OIL	1			0.025	
060	09500-35528	SEAL,OIL	1			0.017	<=FEB.1994
060	70725-34162	SEAL,OIL	1	>>		0.024	>=MAR.1994
070	03410-50606	SCREW,SLOTT ED	1			0.001	
080	76539-34132	PIPE,EXTENSI ON	1			0.010	
090	67111-44250	NIPPLE,GREAS E	1			0.005	
090	H6660-99100	NIPPLE,GREAS E	1	>>		0.005	
100	66616-34390	SHIM	1			0.001	
110	76505-34150	BOSS,BLADE	1			0.200	
120	04612-00220	CIR- CLIP,EXTERNA L	1			0.001	
130	76505-11550	BLADE	1			0.900	
140	70722-34350	RETAINER,BLA DE	2			0.055	
150	70722-34374	BOLT,LOCKING BLADE	1			0.100	
160	70722-34390	WASHER,LOCK	1			0.009	



76505-037-10

No.	Part Number	Part Name (ENG)	QTY	IC	Serial No./PIN	Kg	Remarks
010	76505-34510	HOLDER,PULL EY LH	1			1.500	
020	76505-34520	HOLDER,PULL EY RH	1			1.600	
030	76505-34530	SHAFT,BLADE LH	1			0.540	
040	76505-34560	SHAFT,BLADE RH	1			0.600	
060	01133-51225	BOLT,SEMS	8			0.035	
070	08101-06205	BEARING,BALL	4			0.120	
080	70722-34120	SEAL,OIL	2			0.025	
090	04611-00520	CJIP- CLIP,INTERNAL	4			0.009	
100	76505-34550	PIECE,DISTAN CE	2			0.040	
110	09500-35528	SEAL,OIL	2			0.017	<=FEB,1994
110	70725-34162	SEAL,OIL	2	>>		0.024	>=MAR,1994
120	76505-33570	PULLEY,SIDE RH	1			1.400	
130	76505-33580	PULLEY,SIDE LH	1			1.420	
140	05712-00722	KEY,FEATHER	2			0.009	
150	70721-34560	WASHER,PLAI N	2			0.010	
160	70725-33600	WASHER,SPRI NG	2			0.015	
170	70725-33560	NUT	2			0.012	
180	06613-10675	NIPPLE,GREAS E	1			0.003	
190	76539-34132	PIPE,EXTENSI ON	1			0.010	
200	03410-50606	SCREW,SLOTT ED	1			0.001	
210	06613-10675	NIPPLE,GREAS E	1			0.003	
220	76505-11550	BLADE	2			0.900	
230	70713-34350	WASHER,PLAI N	2			0.088	
240	04512-50180	WASHER,SPRI NG LOCK	2			0.015	
250	70713-34363	BOLT	2			0.000	<=SEP,1990



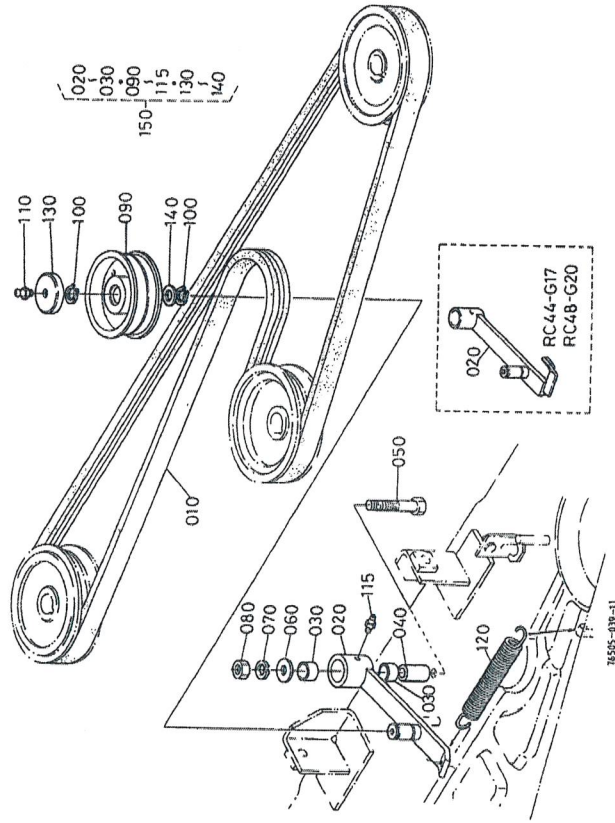
76505-038-10

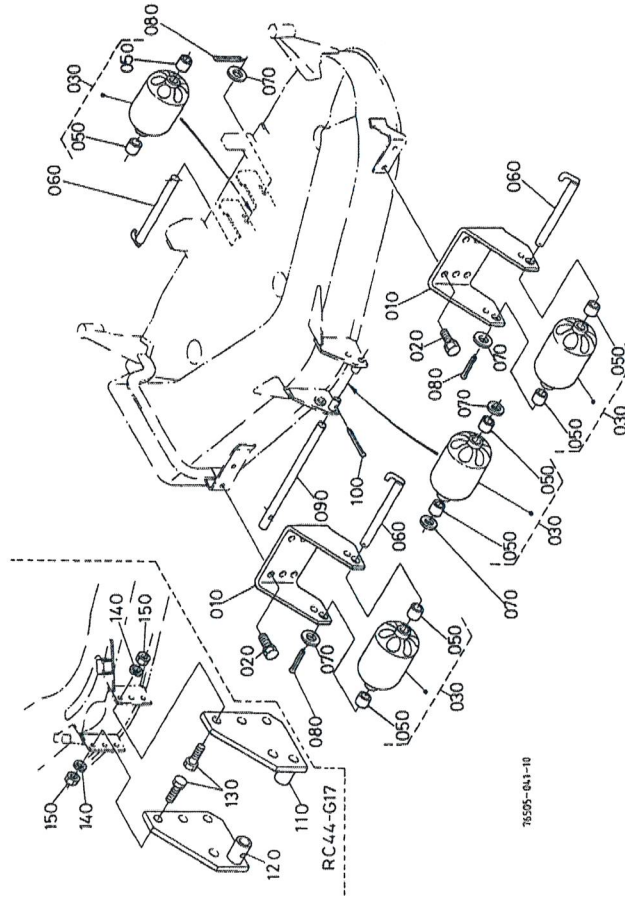
BKIDA0097 >> RC48-G20(-S) >> MOWER >> G089-1 SIDE PULLEY/BLADE

Update Date : 09-06-2016 Print Date : 17-04-2020

No.	Part Number	Part Name (ENG)	QTY	IC	Serial No./PIN	Kg	Remarks
250	70713-34364	BOLT	2	>>		0.105	>=OCT,1990

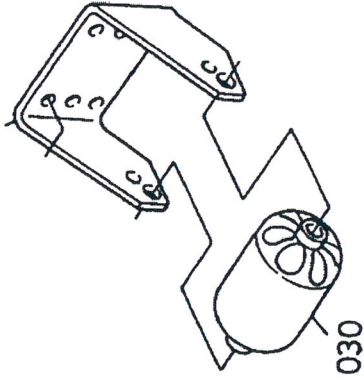
No.	Part Number	Part Name (ENG)	QTY	IC	Serial No./PIN	Kg	Remarks
010	76505-34710	BELT, MULTI	1			0.780	
020	76505-34731	ARM, TENSION	1			0.000	<=AUG.1992
020	76505-34734	ARM, TENSION	1	NI		0.570	>=SEP.1992
030	08511-02020	BUSH	2			0.010	
040	76539-34780	COLLAR, TENSION	1			0.060	
050	01173-51270	HEX.BOLT	1			0.067	
060	04015-50120	WASHER, PLAIN	1			0.020	
070	04512-50120	WASHER, SPRING LOCK	1			0.003	
080	02172-50120	HEX.NUT	1			0.010	
090	76539-34880	ASSY PULLEY, TENSION	1			0.000	<=AUG.1992
090	76539-34883	COMP.PULLEY, TENSION	1	>>		0.420	>=SEP.1992
100	04612-00170	CLIP, EXTERNAL	2			0.001	
110	06613-10675	NIPPLE, GREASE	2			0.003	<=AUG.1992
110	76539-12100	NIPPLE, GREASE	1	NI		0.005	>=SEP.1992
115	76543-12100	NIPPLE, GREASE	1			0.003	>=SEP.1992
120	76539-34750	SPRING, TENSION	1			0.180	
130	76539-34790	COVER, TENSION	1			0.020	>=SEP.1992
140	76539-34800	SEAL, BEARING	1			0.001	>=SEP.1992
150	76505-99410	PULLEY, TENSION KIT	1			1.200	





No.	Part Number	Part Name (ENG)	QTY	IC	Serial No./PIN	Kg	Remarks
010	76538-46110	STAY,ROLLER	2			0.640	
020	01133-51022	BOLT,SEMS	4			0.025	
030	70713-46172	ROLLER,ANTI-SCALP	4			0.000	<=AUG.1989
030	76505-46250	ROLLER,ANTI-SCALP	4	NI		0.182	>=SEP.1989
050	08511-01220	BUSH	8			0.004	>=SEP.1989
060	70720-46183	PIN,GAUGE WHEEL	3			0.125	
070	04011-50120	WASHER,PLAIN	5			0.005	<=NOV.1989
070	04011-50120	WASHER,PLAIN	7			0.005	>=DEC.1989
080	05511-50425	PIN,SPLIT	3			0.003	
090	76505-46181	PIN,GAUGE WHEEL	1			0.000	<=OCT.1989
090	76505-46182	PIN,GAUGE WHEEL	1	NI		0.220	>=NOV.1989
100	05511-50525	PIN,SPLIT	1			0.005	<=OCT.1989
100	05511-50530	PIN,SPLIT	1	NI		0.006	>=NOV.1989

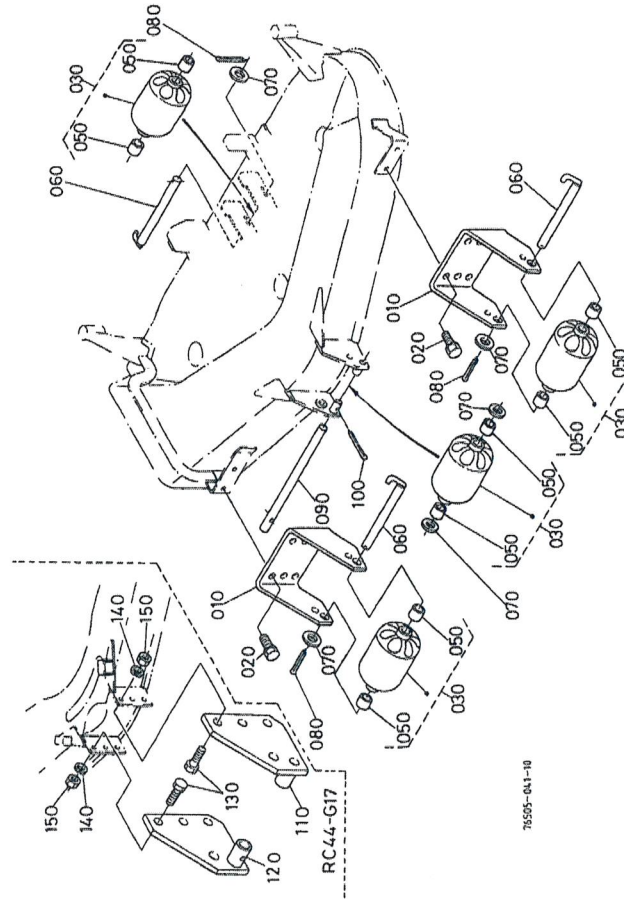
030 70713-4617-2



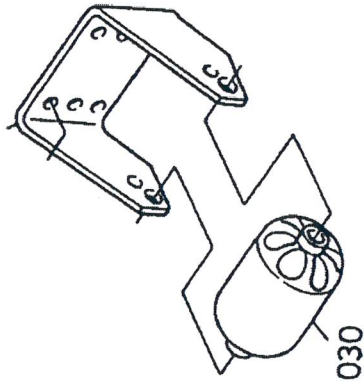
No.	Part Number	Part Name (ENG)	QTY	IC	Serial No./PIN	Kg	Remarks
030	70713-46172	ROLLER,ANTI-SCALP	4			0.000	<=AUG.1989
030	76505-46250	ROLLER,ANTI-SCALP	4	NI		0.182	>=SEP.1989

76505-812-10

No.	Part Number	Part Name (ENG)	QTY	IC	Serial No./PIN	Kg	Remarks
010	76538-46110	STAY,ROLLER	2			0.640	
020	01133-51022	BOLT,SEMS	4			0.025	
030	70713-46172	ROLLER,ANTI-SCALP	4			0.000	<=AUG.1989
030	76505-46250	ROLLER,ANTI-SCALP	4	NI		0.182	>=SEP.1989
050	08511-01220	BUSH	8			0.004	>=SEP.1989
060	70720-46183	PIN,GAUGE WHEEL	3			0.125	
070	04011-50120	WASHER,PLAIN	5			0.005	<=NOV.1989
070	04011-50120	WASHER,PLAIN	7			0.005	>=DEC.1989
080	05511-50425	PIN,SPLIT	3			0.003	
090	76505-46181	PIN,GAUGE WHEEL	1			0.000	<=OCT.1989
090	76505-46182	PIN,GAUGE WHEEL	1	NI		0.220	>=NOV.1989
100	05511-50525	PIN,SPLIT	1			0.005	<=OCT.1989
100	05511-50530	PIN,SPLIT	1	NI		0.006	>=NOV.1989



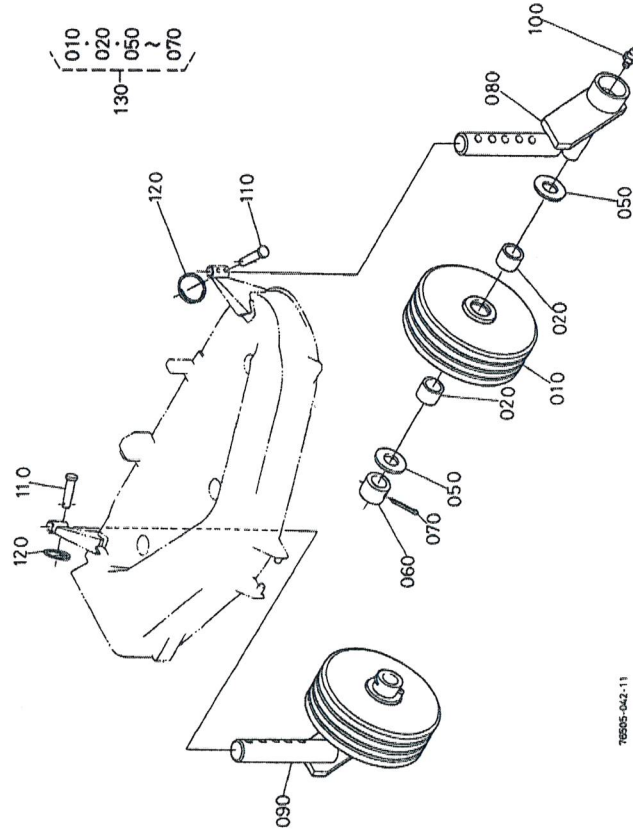
030 70713-4617-2



No.	Part Number	Part Name (ENG)	QTY	IC	Serial No./PIN	Kg	Remarks
030	70713-46172	ROLLER,ANTI-SCALP	4			0.000	<=AUG.1989
030	76505-46250	ROLLER,ANTI-SCALP	4	NI		0.182	>=SEP.1989

76505-812-10

No.	Part Number	Part Name (ENG)	QTY	IC	Serial No./PIN	Kg	Remarks
010	70712-42110	REAR WHEEL	2			1.200	
020	70712-44190	BUSH	4			0.030	
050	04013-50200	WASHER, PLAIN	4			0.020	
060	70712-42140	COLLAR	2			0.068	
070	05511-50545	PIN, SPLIT	2			0.010	
080	70712-42150	SHAFT, LH	1			1.070	
090	70712-42170	SHAFT, RH	1			1.070	
100	06613-10010	NIPPLE, GREASE	2			0.006	
110	05122-50845	PIN, JOINT	2			0.018	
120	70712-42190	RING, SNAP	2			0.002	
130	70712-99500	KIT WHEEL	2			1.380	



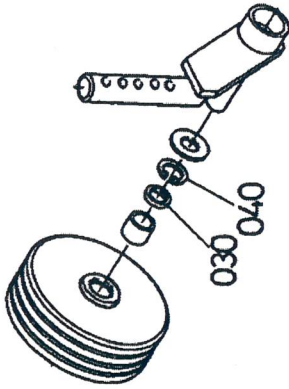
78505-642-11

BKIDA0097 >> RC48-G20(-S) >> MOWER >> G093-1 REAR WHEEL
 Update Date : 09-06-2016 Print Date : 17-04-2020

BKIDA0097 >> RC48-G20(-S) >> MOWER >> G093-1 REAR WHEEL
 Update Date : 09-06-2016 Print Date : 17-04-2020

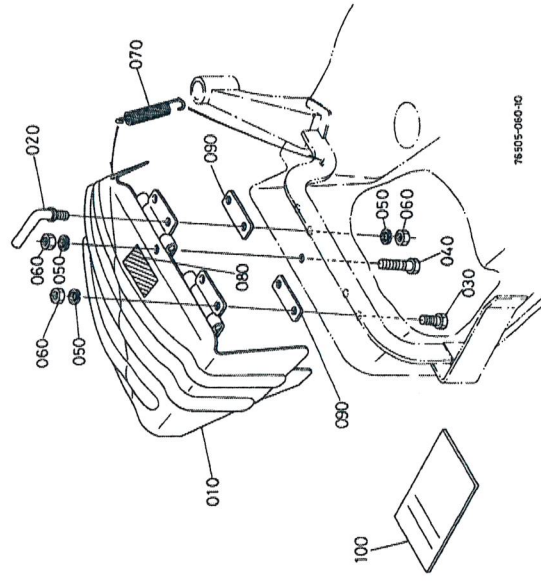
No.	Part Number	Part Name (ENG)	QTY	IC	Serial No./PIN	Kg	Remarks
030	09220-20284	SEAL,OIL	4			0.004	<=FEB.1990
030	H0920-20280	SEAL,OIL	4	>>		0.004	<=FEB.1990
040	04611-00280	CIR-CLIP,INTERNAL	4			0.002	<=FEB.1990

030 09220-20284
 040 04611-00280



76505-807-10

No.	Part Number	Part Name (ENG)	QTY	IC	Serial No./P/N	Kg	Remarks
010	76500-27110	COVER,CHUTE	1		<=12056	3.680	RC48-G20F
010	K5573-27112	COVER	1	>>	>=12057	3.690	RC48-G20F
010	76500-27110	COVER,CHUTE	1		<=11733	3.680	RC48-G20F-S
010	K5573-27112	COVER	1	>>	>=11734	3.690	RC48-G20F-S
010	76500-27110	COVER,CHUTE	1		<=12606	3.680	RC48-G20K
010	K5573-27112	COVER	1	>>	>=12607	3.690	RC48-G20K
010	76500-27110	COVER,CHUTE	1		<=11481	3.680	RC48-G20K-S
010	K5573-27112	COVER	1	>>	>=11482	3.690	RC48-G20K-S
020	70721-47130	STOPPER,CHUTE	1		<=12056	0.050	RC48-G20F
020	K5573-47130	STOPPER	1	NI	>=12057	0.050	RC48-G20F
020	70721-47130	STOPPER,CHUTE	1		<=11733	0.050	RC48-G20F-S
020	K5573-47130	STOPPER	1	NI	>=11734	0.050	RC48-G20F-S
020	70721-47130	STOPPER,CHUTE	1		<=12606	0.050	RC48-G20K
020	K5573-47130	STOPPER	1	NI	>=12607	0.050	RC48-G20K
020	70721-47130	STOPPER,CHUTE	1		<=11481	0.050	RC48-G20K-S
020	K5573-47130	STOPPER	1	NI	>=11482	0.050	RC48-G20K-S
030	01173-51020	HEX.BOLT	3		<=12056	0.017	RC48-G20F
030	01173-51025	HEX.BOLT	3	NI	>=12057	0.021	RC48-G20F
030	01173-51020	HEX.BOLT	3		<=11733	0.017	RC48-G20F-S
030	01173-51025	HEX.BOLT	3	NI	>=11734	0.021	RC48-G20F-S
030	01173-51020	HEX.BOLT	3		<=12606	0.017	RC48-G20K
030	01173-51025	HEX.BOLT	3	NI	>=12607	0.021	RC48-G20K
030	01173-51020	HEX.BOLT	3		<=11481	0.017	RC48-G20K-S
030	01173-51025	HEX.BOLT	3	NI	>=11482	0.021	RC48-G20K-S
040	01173-51028	HEX.BOLT	1		<=12056	0.022	RC48-G20F
040	01173-51035	HEX.BOLT	1	NI	>=12057	0.025	RC48-G20F
040	01173-51028	HEX.BOLT	1		<=11733	0.022	RC48-G20F-S
040	01173-51035	HEX.BOLT	1	NI	>=11734	0.025	RC48-G20F-S
040	01173-51028	HEX.BOLT	1		<=12606	0.022	RC48-G20K
040	01173-51035	HEX.BOLT	1	NI	>=12607	0.025	RC48-G20K
040	01173-51028	HEX.BOLT	1		<=11481	0.022	RC48-G20K-S
040	01173-51035	HEX.BOLT	1	NI	>=11482	0.025	RC48-G20K-S
050	04512-60100	WASHER,SPRING	5			0.002	
060	02118-50100	HEX.NUT	5			0.005	
070	70722-47120	SPRING	1			0.060	



No.	Part Number	Part Name (ENG)	QTY	IC	Serial No./PIN	Kg	Remarks
080	76530-11480	LABEL,CAUTION	1			0.005	[FR]
090	K5573-47150	SPACER	2		>=12057	0.060	RC48-G20F
090	K5573-47150	SPACER	2		>=11734	0.060	RC48-G20F-S
090	K5573-47150	SPACER	2		>=12607	0.060	RC48-G20K
090	K5573-47150	SPACER	2		>=11482	0.060	RC48-G20K-S
100	K5573-47160	MANUAL_INSTR UCTION	1		>=12057	0.004	RC48-G20F
100	K5573-47160	MANUAL_INSTR UCTION	1		>=11734	0.004	RC48-G20F-S
100	K5573-47160	MANUAL_INSTR UCTION	1		>=12607	0.004	RC48-G20K
100	K5573-47160	MANUAL_INSTR UCTION	1		>=11482	0.004	RC48-G20K-S