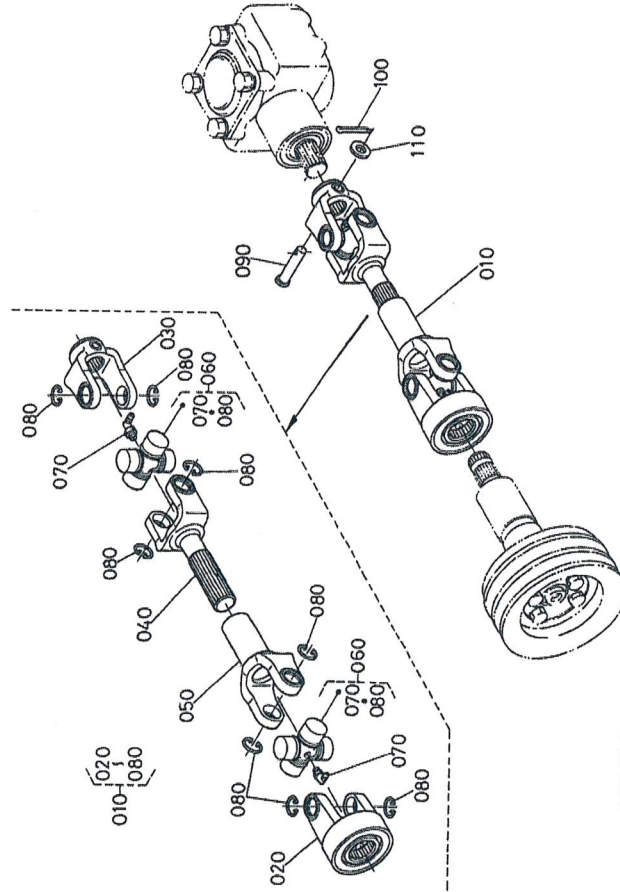
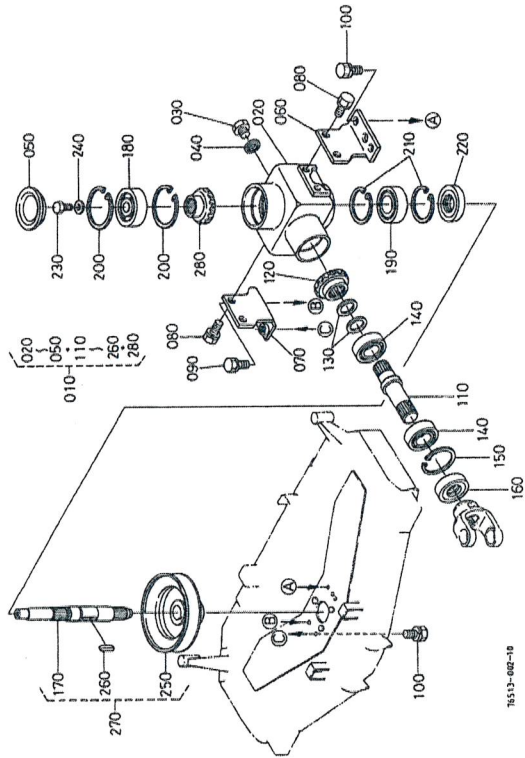


No.	Part Number	Part Name (ENG)	QTY	IC	Serial No./PIN	Kg	Remarks
010	76505-32030	ASSY JOINT,UNIVERSAL	1			2.500	
020	76508-31150	YOKE,QUICK	1			0.600	
030	76508-31130	YOKE,PTO	1			0.330	
040	76505-31140	SHAFT,JOINT	1			0.630	
050	76505-31170	YOKE,JOINT	1			0.510	
060	76508-31180	JOINT,ASSY (CROSS)	2			0.230	
070	76508-31210	NIPPLE,GREASE	2			0.050	
080	76508-32120	RING,SNAP	8			0.010	
090	05122-50845	PIN,JOINT	1			0.018	
100	05511-50218	PIN,SPLIT	1			0.001	
110	04012-50080	WASHER,PLAIN	1			0.001	



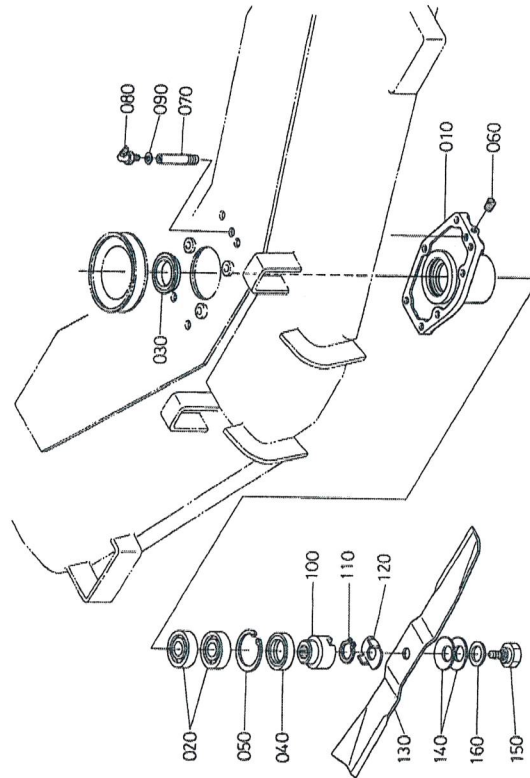
76505-015-10

No.	Part Number	Part Name (ENG)	QTY	IC	Serial No./PIN	Kg	Remarks
010	76526-99170	ASSY CASE,BEVEL GEAR	1			6.210	
020	70723-33110	CASE,BEVEL GEAR	1		<=10192	0.000	
020	70723-33112	CASE,BEVEL GEAR	1	>>	>=10193	3.260	
030	01173-51014	HEX,BOLT	2			0.015	
040	04717-01000	WASHER,SEAL	2			0.001	
050	79163-32130	PLUG	1			0.050	
060	76524-33130	STAY,BEVEL CASE LH	1			0.310	
070	76524-33150	STAY,BEVEL CASE RH	1			0.340	
080	01173-51222	HEX,BOLT	4			0.031	
090	01133-51235	BOLT,SEMS	2			0.043	
100	01133-61232	BOLT	5			0.200	
110	70722-33310	SHAFT,PINION	1			0.460	
120	76521-33332	GEAR,BEVEL	1		<=10202	0.273	21T
120	76514-33330	GEAR,BEVEL	1	NI	>=10203	0.240	21T
130	70720-33350	SHIM	1			0.001	0.2MM
130	70720-33360	SHIM	1			0.001	0.3MM
140	08101-06205	BEARING,BALL	2			0.120	
150	04611-00520	CIR-CLIP,INTERNAL	1			0.009	
160	76535-33440	SEAL,OIL	1			0.020	
170	76524-33510	SHAFT,BEVEL GEAR	1			0.650	
180	08101-06403	BEARING,BALL	1			0.270	
190	08101-06205	BEARING,BALL	1		<=10202	0.120	
190	76546-33380	BEARING,BALL	1	NI	>=10203	0.110	
200	04611-00620	CIR-CLIP,INTERNAL	2			0.011	
210	04611-00520	CIR-CLIP,INTERNAL	2			0.009	
220	76524-33530	SEAL,OIL	1			0.022	
230	01123-50818	BOLT,SEMS	1			0.012	
240	04015-60080	WASHER,PLAIN	1			0.010	
250	70712-99750	PULLEY,CENTER	1			0.700	
260	05712-00728	KEY,FEATHER	1			0.010	



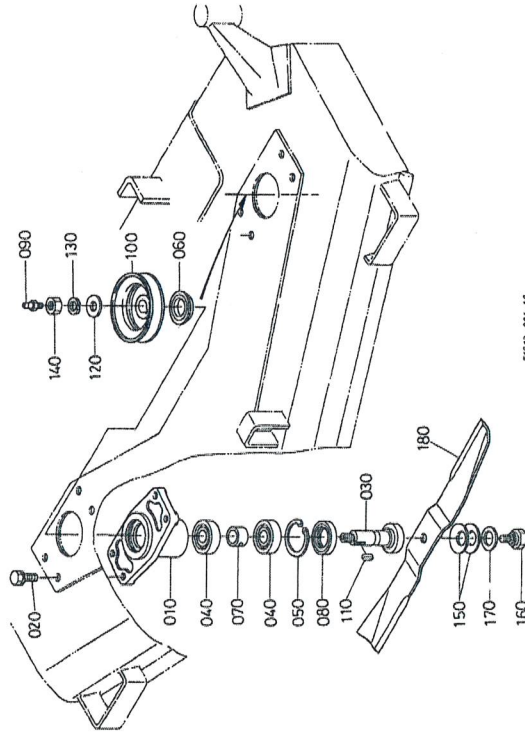
No.	Part Number	Part Name (ENG)	QTY	IC	Serial No./PIN	Kg	Remarks
270	76526-99020	ASSY PULLEY,CENTE R	1			0.000	
280	76521-33532	GEAR,BEVEL	1		<=10202	0.200	15T
280	76514-33530	GEAR,BEVEL	1	NI	>=10203	0.100	15T
290	76550-33350	SHIM	1		>=10203	0.001	0.2MM
290	76550-33360	SHIM	1		>=10203	0.001	0.3MM

No.	Part Number	Part Name (ENG)	QTY	IC	Serial No./PIN	Kg	Remarks
010	70724-34110	HOLDER,PULL EY	1			3.120	
020	08101-06205	BEARING,BALL	2			0.120	
030	70722-34120	SEAL,OIL	1			0.025	
040	09500-35528	SEAL,OIL	1		<=10630	0.017	
040	70725-34162	SEAL,OIL	1	>>	>=10631	0.024	
050	04611-00520	CIR- CLIP,INTERNAL	1			0.009	
060	03410-50606	SCREW,SLOTT ED	1			0.001	
070	76538-34130	PIPE,EXTENSI ON	1			0.050	
080	67111-44250	NIPPLE,GREAS E	1			0.005	
080	H6660-99100	NIPPLE,GREAS E	1	>>		0.005	
090	66616-34390	SHIM	1			0.001	
100	70722-34150	BOSS,BLADE	1			0.352	
110	04612-00220	CIR- CLIP,EXTERN AL	1			0.001	
120	70722-34320	PLATE,FRICTIO N	1			0.020	
130	76524-34332	BLADE	1		<=10635	1.070	
130	76524-34334	BLADE	1	=	>=10636	0.000	
140	70722-34350	RETAINER,BLA DE	2			0.055	
150	70724-34374	BOLT,LOCKING BLADE	1			0.100	
160	70722-34390	WASHER,LOCK	1			0.009	



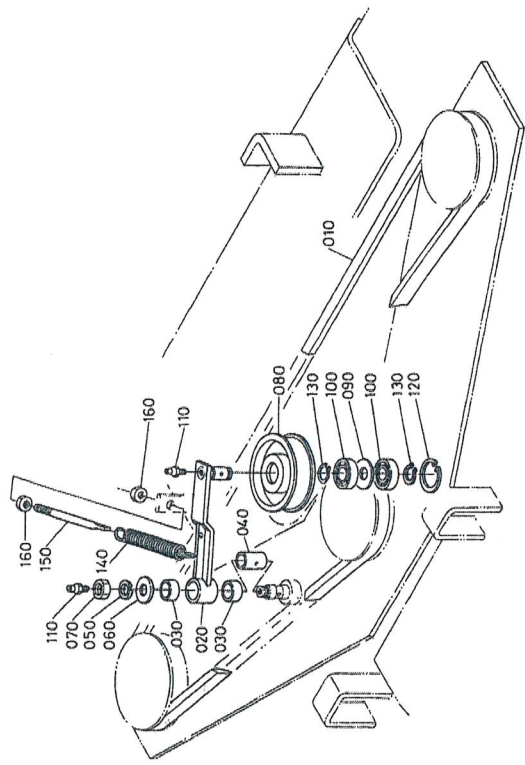
76538-00-10

No.	Part Number	Part Name (ENG)	QTY	IC	Serial No./PIN	Kg	Remarks
010	70724-34510	HOLDER,PULL EY	2			2.200	
020	01133-51228	BOLT,SEMS	8			0.040	
030	70724-34530	SHAFT, BLADE	2			0.550	
040	08101-06205	BEARING,BALL	4			0.120	
050	04611-00520	CIR- CLIP,INTERNAL	2			0.009	
060	70722-34120	SEAL,OIL	2			0.025	
070	70724-34550	PIECE,DISTAN CE	2			0.060	
080	09500-35528	SEAL,OIL	2		<=10630	0.017	
080	70725-34162	SEAL,OIL	2	>>	>=10631	0.024	
090	06613-10675	NIPPLE,GREAS E	2			0.003	
100	70712-99780	PULLEY,SIDE	2			0.620	
110	05712-00722	KEY, FEATHER	2			0.009	
120	70721-34560	WASHER,PLAI N	2			0.010	
130	04512-50160	WASHER,SPRI NG LOCK	2			0.010	
140	02172-50160	HEX,NUT	2			0.017	
150	70722-34350	RETAINER,BLA DE	4			0.055	
160	70724-34374	BOLT,LOCKING BLADE	2			0.100	
170	70722-34390	WASHER,LOCK	2			0.009	
180	76524-34332	BLADE	2		<=10635	1.070	
180	76524-34334	BLADE	2	=	>=10636	0.000	



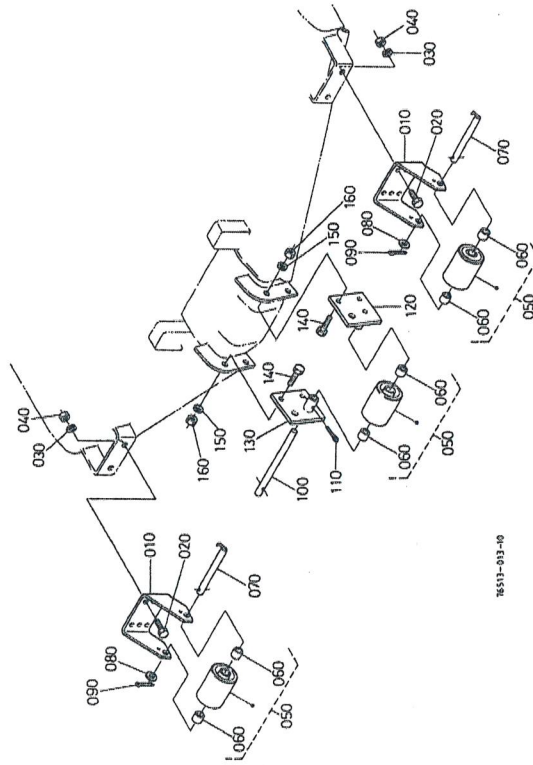
18513-008-16

No.	Part Number	Part Name (ENG)	QTY	IC	Serial No./PIN	Kg	Remarks
010	76524-34710	BELT	1			0.390	
020	76527-34730	ARM,TENSION	1			0.460	
030	76543-34780	BUSH	2			0.020	
040	76543-34752	COLLAR,TENSION	1			0.050	
050	04512-50140	WASHER,SPRING LOCK	1			0.007	
060	76543-34760	WASHER	1			0.018	
070	02172-50140	HEX.NUT	1			0.010	
080	76543-34740	PULLEY,TENSION	1			0.700	
090	76543-34720	COLLAR,BEARING	1			0.008	
100	08111-06203	BEARING,BALL	2			0.065	
110	06613-10675	NIPPLE,GREASE	2			0.003	
120	04611-00400	CIR.CLIP,INTERNAL	1			0.004	
130	04612-00170	CIR.CLIP,EXTERNAL	2			0.001	
140	70722-34750	SPRING,TENS.	1			0.150	
150	70722-34773	BOLT,TENSION	1			0.075	
160	02118-50100	HEX.NUT	2			0.005	



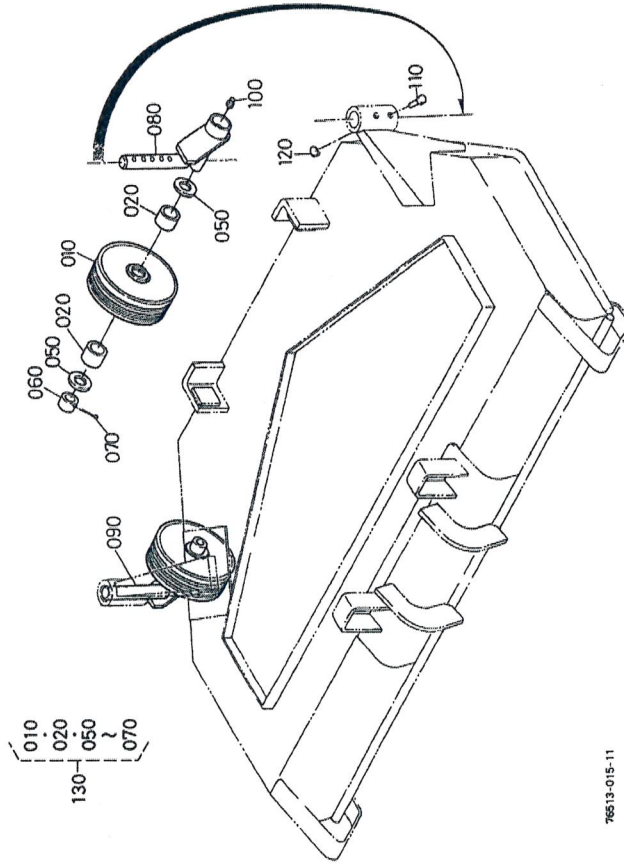
76513-009-10

No.	Part Number	Part Name (ENG)	QTY	IC	Serial No./PIN	Kg	Remarks
010	76538-46110	STAY,ROLLER	2			0.640	
020	01173-51022	HEX.BOLT	4			0.019	
030	04512-60100	WASHER,SPRING LOCK	4			0.002	
040	02118-50100	HEX.NUT	4			0.005	
050	76501-46160	ROLLER,ASSY	3			0.660	
060	08511-01220	BUSH	6			0.004	
070	70720-46183	PIN,GAUGE WHEEL	2			0.125	
080	04011-50120	WASHER,PLAIN	2			0.005	
090	05511-50425	PIN,SPLIT	2			0.003	
100	76505-46181	PIN,GAUGE WHEEL	1		<=10202	0.000	
100	76505-46182	PIN,GAUGE WHEEL	1	NI	>=10203	0.220	
110	05511-50525	PIN,SPLIT	1		<=10202	0.005	
110	05511-50530	PIN,SPLIT	1	NI	>=10203	0.006	
120	76514-44810	BRACKET,LH	1			0.460	
130	76514-44820	BRACKET,RH	1			0.460	
140	01173-51030	HEX.BOLT	4			0.023	
150	04512-60100	WASHER,SPRING LOCK	4			0.002	
160	02118-50100	HEX.NUT	4			0.005	



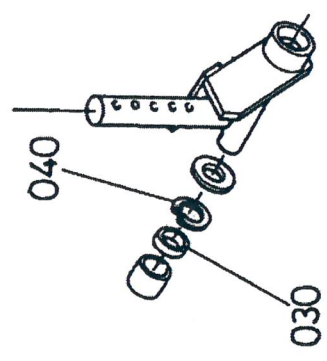
76511-013-00

No.	Part Number	Part Name (ENG)	QTY	IC	Serial No./PIN	Kg	Remarks
010	76521-42110	FRONT WHEEL	2			1.590	
020	70722-44190	BUSH	4			0.041	
050	04013-50200	WASHER,PLAIN	4			0.020	
060	70712-42140	COLLAR	2			0.068	
070	05511-50545	PIN,SPLIT	2			0.010	
080	76514-42150	SHAFT,LH	1			1.200	
090	76514-42170	SHAFT,RH	1			1.100	
100	06613-10675	NIPPLE,GREASE	2			0.003	
110	05122-50845	PIN JOINT	2			0.018	
120	70712-42190	RING,SNAP	2			0.002	
130	76507-99500	KIT WHEEL	2			1.800	



76513-015-11

030 09220-20284
 040 04611-00280



No.	Part Number	Part Name (ENG)	QTY	IC	Serial No./PIN	Kg	Remarks
030	09220-20284	SEAL,OIL	4		<=10207	0.004	
030	H0920-20280	SEAL,OIL	4	>>	<=10207	0.004	
040	04611-00280	CIR-CLIP,INTERNAL	4		<=10207	0.002	