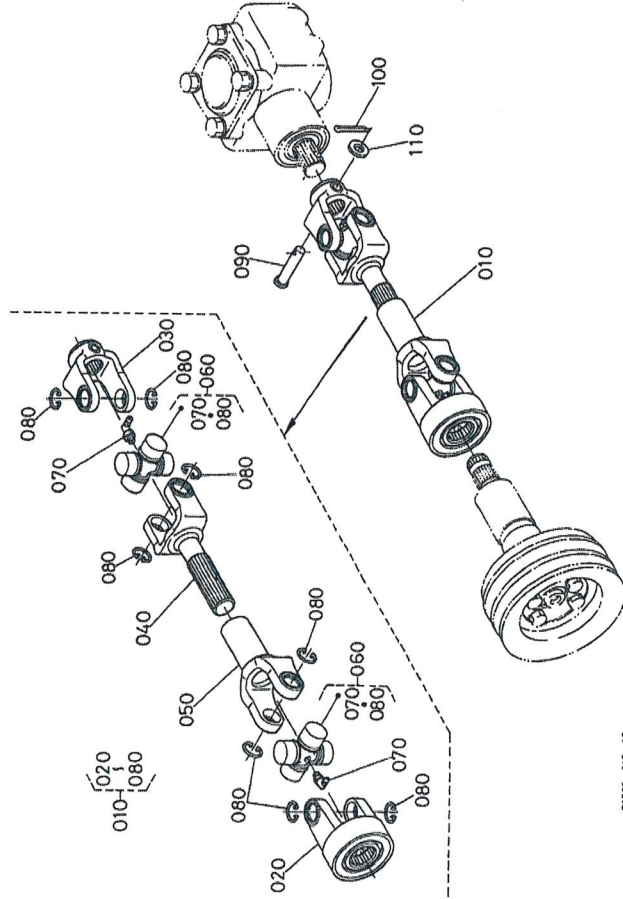
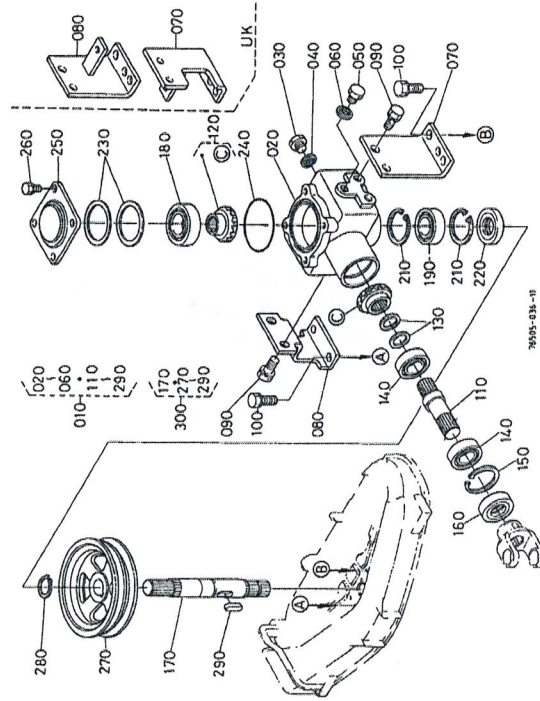


No.	Part Number	Part Name (ENG)	QTY	IC	Serial No./PIN	Kg	Remarks
010	76505-32030	ASSY JOINT,UNIVERSAL	1			2.500	
020	76508-31150	YOKE,QUICK	1			0.600	
030	76508-31130	YOKE,PTO	1			0.330	
040	76505-31140	SHAFT,JOINT	1			0.630	
050	76505-31170	YOKE,JOINT	1			0.510	
060	76508-31180	JOINT,ASSY (CROSS)	2			0.230	
070	76508-31210	NIPPLE,GREASE	2			0.050	
080	76508-32120	RING,SNAP	8			0.010	
090	05122-50845	PIN,JOINT	1			0.018	
100	05511-50218	PIN,SPLIT	1			0.001	
110	04012-50080	WASHER,PLAIN	1			0.001	



76505-015 -10

No.	Part Number	Part Name (ENG)	QTY	IC	Serial No./PIN	Kg	Remarks
010	76507-99061	ASSY CASE,BEVEL GEAR	1			0.000	<=JAN.1990
010	76507-99062	ASSY CASE,BEVEL GEAR	1	NI		7.700	>=FEB.1990
010	76507-99063	ASSY CASE,BEVEL GEAR	1	NI		8.500	>=DEC.1990
010	76507-99064	ASSY CASE,BEVEL GEAR	1	>>		7.700	>=MAY.1995
020	76539-33112	CASE,BEVEL GEAR	1			3.250	
030	01173-51214	HEX.BOLT	1			0.025	
040	04717-01200	WASHER,SEAL	1			0.002	
050	01173-51214	HEX.BOLT	1			0.025	
060	04717-01200	WASHER,SEAL	1			0.002	
070	76508-33130	STAY,BEVEL CASE LH	1			0.500	[FR]
070	76508-11130	STAY,BEVEL CASE LH	1			0.600	[UK]
080	76508-33150	STAY,BEVEL CASE RH	1			0.000	[FR] <=NOV.1990
080	76508-33152	STAY,BEVEL CASE RH	1	NI		0.700	[FR] >=DEC.1990
080	76508-11150	STAY,BEVEL CASE RH	1			0.480	[UK]
090	01133-51222	BOLT,SEMS	4			0.036	
100	01133-51230	BOLT,SEMS	4			0.040	
110	70722-33310	SHAFT,PINION	1			0.460	
120	76507-33321	KIT GEAR,BEVEL	1			0.000	<=NOV.1990 20-17T
120	76529-99020	KIT GEAR,BEVEL	1	NI		0.480	>=DEC.1990 20-16T
130	70720-33350	SHIM	1			0.001	0.2MM
130	70720-33360	SHIM	1			0.001	0.3MM
140	08101-06205	BEARING,BALL	2			0.120	
150	04611-00520	CIR-CLIP,INTERNAL	1			0.009	
160	76535-33440	SEAL,OIL	1			0.020	
170	76508-33511	SHAFT,BEVEL GEAR	1			0.000	<=AUG.1989
170	76508-33501	SHAFT,BEVEL GEAR	1	NI		0.000	>=SEP.1989

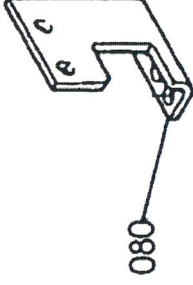


Update Date : 09-06-2016 Print Date : 17-04-2020

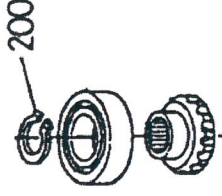
Update Date : 09-06-2016 Print Date : 17-04-2020

No.	Part Number	Part Name (ENG)	QTY	IC	Serial No./PIN	Kg	Remarks
170	76508-33502	SHAFT,BEVEL GEAR	1	NI		0.000	>=DEC.1990
170	76508-33503	SHAFT,BEVEL GEAR	1	>>		0.810	>=MAY.1995
180	70712-33550	BEARING,BALL	1			0.220	
190	08101-06205	BEARING,BALL	1			0.120	
210	04611-00520	CIR-CLIP,INTERNAL	2			0.009	
220	76535-33440	SEAL,OIL	1			0.020	
230	76539-33410	SHIM	1			0.001	0.2MM
230	76539-33590	SHIM	1			0.005	0.3MM
240	04811-10800	O RING	1			0.001	
250	70712-33610	COVER,BEVEL CASE	1			0.200	
260	01123-60814	BOLT	4			0.010	
270	76539-33520	PULLEY,CENTE R	1			1.650	
280	04612-00250	CIR-CLIP,EXTERNA L	1			0.002	
290	05712-00728	KEY,FEATHER	1			0.010	
300	76508-99051	ASSY PULLEY,CENTE R	1			0.000	<=JAN.1990
300	76508-99052	ASSY PULLEY,CENTE R	1	NI		2.500	>=FEB.1990
300	76508-99053	ASSY PULLEY,CENTE R	1	NI		2.560	>=DEC.1990
300	76508-99054	ASSY PULLEY,CENTE R	1	>>		3.220	>=MAY.1995

080 76508-3315-0



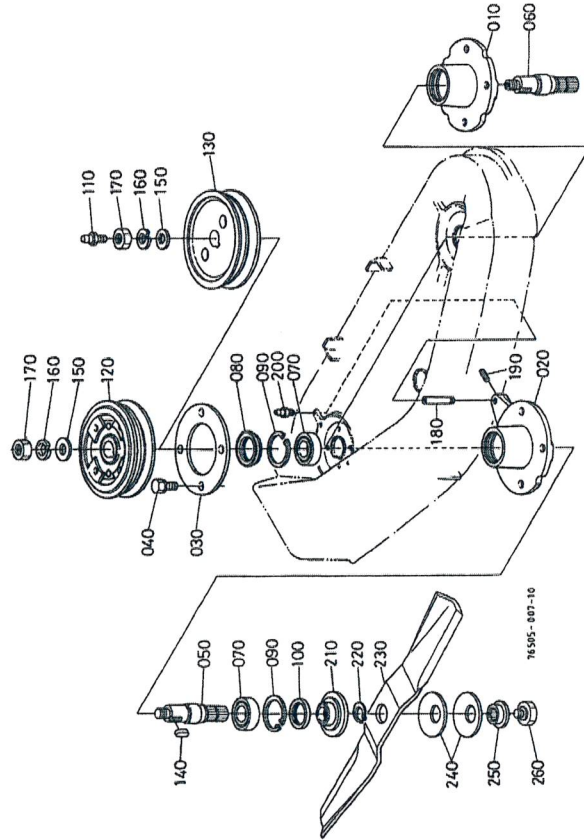
200 04612-00220



76505-800-11

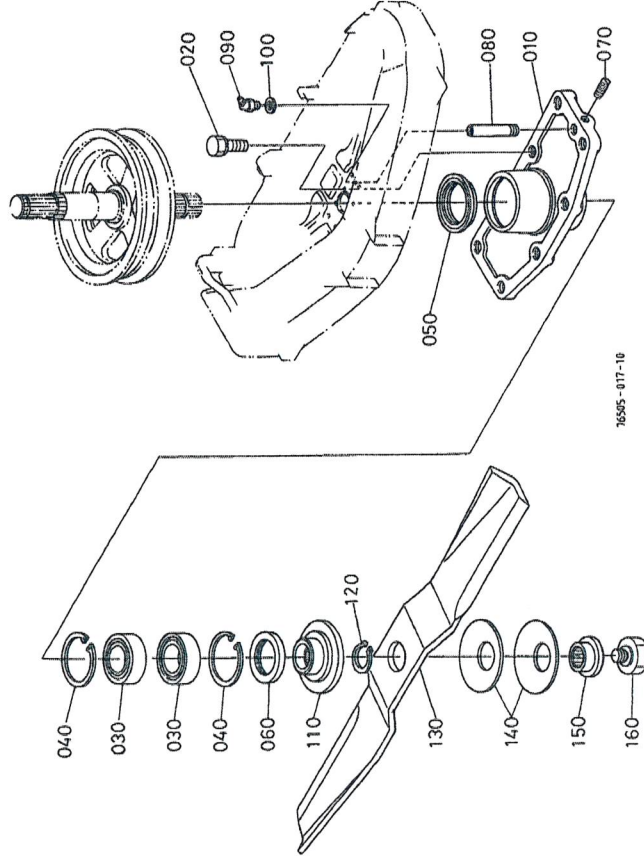
No.	Part Number	Part Name (ENG)	QTY	IC	Serial No./PIN	Kg	Remarks
080	76508-33150	STAY,BEVEL CASE RH	1			0.000	[FR] <=NOV.1990
080	76508-33152	STAY,BEVEL CASE RH	1	NI		0.700	[FR] >=DEC.1990
080	76508-11150	STAY,BEVEL CASE RH	1			0.480	[UK]
200	04612-00220	CIIR- CLIP,EXTERNA L	1			0.001	<=APR.1995

No.	Part Number	Part Name (ENG)	QTY	IC	Serial No./PIN	Kg	Remarks
010	76539-34511	HOLDER,PULL EY LH	1			0.000	<=NOV.1990
010	76539-34514	HOLDER,PULL EY LH	1	NI		0.000	>=DEC.1990
010	76539-34515	HOLDER,PULL EY LH	1	>>		2.000	>=DEC.1993
020	76539-34521	HOLDER,PULL EY RH	1			0.000	<=NOV.1990
020	76539-34524	HOLDER,PULL EY RH	1	NI		0.000	>=DEC.1990
020	76539-34525	HOLDER,PULL EY RH	1	>>		2.400	>=DEC.1993
030	76539-34320	HOLDER,PLAT E	2			0.000	<=NOV.1993
030	76539-34323	HOLDER,PLAT E	2	>>		0.250	>=DEC.1993
040	01133-51225	BOLT,SEMS	8			0.035	
050	76539-34531	SHAFT,BLADE RH	1			0.000	<=AUG.1989
050	76539-34541	SHAFT, BLADE RH	1	NI		0.000	>=SEP.1989
050	76539-34542	SHAFT,BLADE RH	1	NI		0.515	>=DEC.1990
050	H7650-34540	SHAFT,BLADE RH	1	=		0.515	>=DEC.1990
050	76539-34544	SHAFT,BLADE RH	1	NI		0.510	>=OCT.1994
060	76539-34561	SHAFT,BLADE LH	1			0.000	<=AUG.1989
060	76539-34551	SHAFT,BLADE LH	1	NI		0.000	>=SEP.1989
060	76539-34552	SHAFT,BLADE LH	1	NI		0.500	>=DEC.1990
060	H7650-34550	SHAFT,BLADE LH	1	=		0.500	>=DEC.1990
060	76539-34554	SHAFT,BLADE LH	1	NI		0.480	>=OCT.1994
070	08101-06205	BEARING,BALL	4			0.120	
080	70722-34120	SEAL,OIL	2			0.025	
090	04611-00520	CIR-CLIP,INTERNAL	4			0.009	

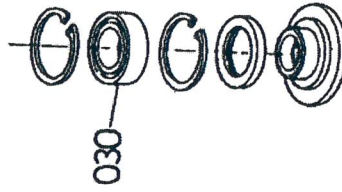
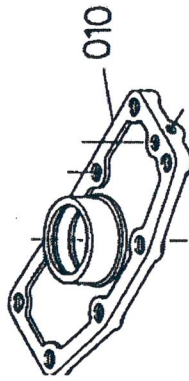


No.	Part Number	Part Name (ENG)	QTY	IC	Serial No./PIN	Kg	Remarks
100	09500-35528	SEAL,OIL	2			0.017	<=FEB.1994
100	70725-34162	SEAL,OIL	2	>>		0.024	>=MAR.1994
110	06613-10675	NIPPLE,GREASE	1			0.003	
120	76539-33570	PULLEY,SIDE RH	1			1.710	
130	76539-33580	PULLEY,SIDE LH	1			1.700	
140	05712-00722	KEY, FEATHER	2			0.009	
150	70721-34560	WASHER,PLAIN	2			0.010	
160	70725-33600	WASHER,SPRING	2			0.015	<=SEP.1994
160	04512-50160	WASHER,SPRING LOCK	2	NI		0.010	>=OCT.1994
170	70725-33560	NUT	2			0.012	<=SEP.1994
170	02172-50160	HEX,NUT	2	NI		0.017	>=OCT.1994
180	76539-34132	PIPE,EXTENSION	1			0.010	
190	03410-50606	SCREW,SLOTTED	1			0.001	
200	06613-10675	NIPPLE,GREASE	1			0.003	
210	76539-34151	BOSS,BLADE	2			0.000	<=AUG.1989
210	76539-34161	BOSS,BLADE	2	NI		0.000	>=SEP.1989
210	76539-34150	BOSS,BLADE	2	NI		0.280	>=DEC.1990
220	04612-00220	CLIP,EXTERNAL	2			0.001	
230	76529-34330	BLADE	2			1.450	
240	76550-34350	RETAINER,BLADE	4			0.075	
250	76539-34390	JOINT,BLADE BOSS	2			0.000	
260	76539-34372	BOLT,LOCKING BLADE	2			0.050	

No.	Part Number	Part Name (ENG)	QTY	IC	Serial No./PIN	Kg	Remarks
010	76539-34111	HOLDER,PULL EY	1			0.000	<=NOV.1990
010	76539-34114	HOLDER,CENTER PULLEY	1	NI		0.000	>=DEC.1990
010	76539-34116	HOLDER,CENTER PULLEY	1	>>		2.750	>=MAR.1995
020	01133-51222	BOLT,SEMS	4			0.036	
030	08101-06205	BEARING,BALL	1			0.120	<=NOV.1990
030	08101-06205	BEARING,BALL	2			0.120	>=DEC.1990
040	04611-00520	CIR-CLIP,INTERNAL	2			0.009	
050	70722-34120	SEAL,OIL	1			0.025	
060	09500-35528	SEAL,OIL	1			0.017	<=FEB.1994
060	70725-34162	SEAL,OIL	1	>>		0.024	>=MAR.1994
070	03410-50606	SCREW,SLOTTED	1			0.001	
080	76539-34132	PIPE,EXTENSION	1			0.010	
090	67111-44250	NIPPLE,GREASE	1			0.005	
090	H6660-99100	NIPPLE,GREASE	1	>>		0.005	
100	66616-34390	SHIM	1			0.001	
110	76539-34151	BOSS,BLADE	1			0.000	<=AUG.1989
110	76539-34160	BOSS,BLADE	1	NI		0.420	>=SEP.1989
110	76539-34150	BOSS,BLADE	1	NI		0.280	>=DEC.1990
120	04612-00220	CIR-CLIP,EXTERNAL	1			0.001	
130	76529-34330	BLADE	1			1.450	
140	76550-34350	RETAINER,BLADE	2			0.075	
150	76539-34390	JOINT,BLADE BOSS	1			0.000	
160	76539-34372	BOLT,LOCKING BLADE	1			0.050	



010 76539-3411-0  
 030 08101-06205

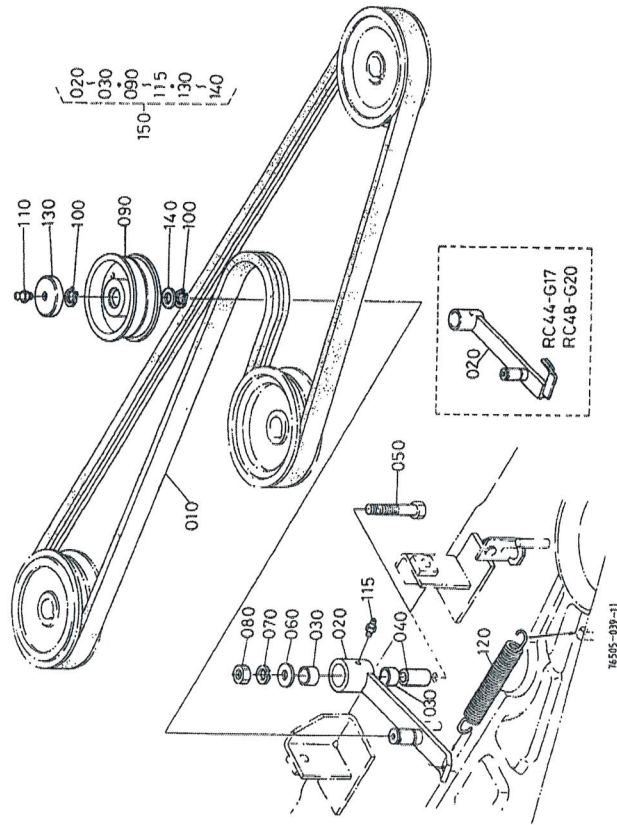


No.	Part Number	Part Name (ENG)	QTY	IC	Serial No./PIN	Kg	Remarks
010	76539-34111	HOLDER,PULL EY	1			0.000	<=NOV.1990
010	76539-34114	HOLDER,CENT ER PULLEY	1	NI		0.000	>=DEC.1990
010	76539-34116	HOLDER,CENT ER PULLEY	1	>>		2.750	>=MAR.1995
030	08101-06205	BEARING,BALL	1			0.120	<=NOV.1990
030	08101-06205	BEARING,BALL	2			0.120	>=DEC.1990

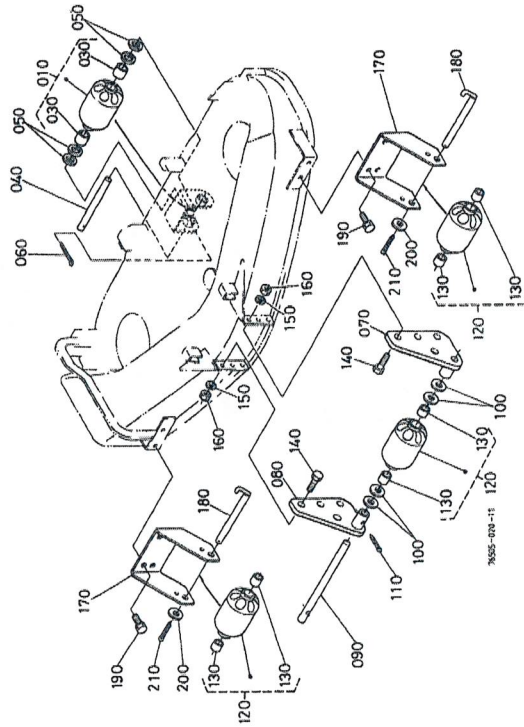
76505-811-10



No.	Part Number	Part Name (ENG)	QTY	IC	Serial No./PIN	Kg	Remarks
010	76529-34710	BELT,MULTI	1			0.920	
020	76539-34733	ARM,TENSION	1			0.550	<=AUG.1992
020	76539-34734	ARM,TENSION	1	NI		0.600	>=SEP.1992
030	08511-02020	BUSH	2			0.010	
040	76539-34780	COLLAR,TENSION	1			0.060	
050	01173-51270	HEX,BOLT	1			0.067	
060	04015-50120	WASHER,PLAIN	1			0.020	
070	04512-50120	WASHER,SPRING LOCK	1			0.003	
080	02172-50120	HEX,NUT	1			0.010	
090	76539-34880	ASSY PULLEY,TENSION	1			0.000	<=AUG.1992
090	76539-34883	COMP PULLEY,TENSION	1	>>		0.420	>=SEP.1992
100	04612-00170	CLIP,EXTERNAL	2			0.001	
110	06613-10675	NIPPLE,GREASE	2			0.003	<=AUG.1992
110	76539-12100	NIPPLE,GREASE	1	NI		0.005	>=SEP.1992
115	76543-12100	NIPPLE,GREASE	1			0.003	>=SEP.1992
120	76539-34750	SPRING,TENSION	1			0.180	
130	76539-34790	COVER,TENSION	1			0.020	>=SEP.1992
140	76539-34800	SEAL,BEARING	1			0.001	>=SEP.1992
150	76539-99410	PULLEY,TENSION KIT	1			0.470	

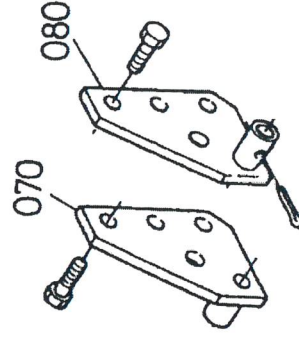
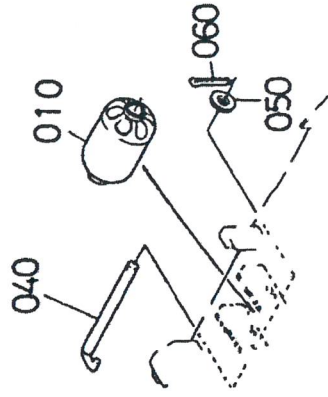


No.	Part Number	Part Name (ENG)	QTY	IC	Serial No./PIN	Kg	Remarks
010	76507-46250	ROLLER,ANTI-SCALP	1			0.280	<=JAN.1989
010	76505-46250	ROLLER,ANTI-SCALP	1	NI		0.182	>=FEB.1989
010	76507-46250	ROLLER,ANTI-SCALP	1	NI		0.280	>=DEC.1989
030	08511-01220	BUSH	2			0.004	
040	70720-46183	PIN,GAUGE WHEEL	1			0.125	<=SEP.1989
040	76505-46182	PIN,GAUGE WHEEL	1	NI		0.220	>=OCT.1989
050	04011-50120	WASHER,PLAIN	1			0.005	<=SEP.1989
050	04011-50120	WASHER,PLAIN	4			0.005	>=OCT.1989
060	05511-50425	PIN,SPLIT	1			0.003	<=SEP.1989
060	05511-50530	PIN,SPLIT	1	NI		0.006	>=OCT.1989
070	76508-44811	BRACKET,LH	1			0.000	<=SEP.1989
070	76508-44812	BRACKET,LH	1	NI		0.540	>=OCT.1989
080	76508-44821	BRACKET,RH	1			0.000	<=SEP.1989
080	76508-44822	BRACKET,RH	1	NI		0.500	>=OCT.1989
090	76505-46181	PIN,GAUGE WHEEL	1			0.000	<=OCT.1989
090	76505-46182	PIN,GAUGE WHEEL	1	NI		0.220	>=NOV.1989
100	04011-50120	WASHER,PLAIN	4			0.005	
110	05511-50525	PIN,SPLIT	1			0.005	<=OCT.1989
110	05511-50530	PIN,SPLIT	1	NI		0.006	>=NOV.1989
120	70722-46150	ROLLER,ANTI-SCALP	3			0.000	
130	08511-01220	BUSH	6			0.004	
140	01173-51030	HEX.BOLT	6			0.023	
150	04512-60100	WASHER,SPRING LOCK	6			0.002	
160	02118-50100	HEX.NUT	6			0.005	
170	76550-46110	STAY,ROLLER	2			0.720	
180	70720-46183	PIN,GAUGE WHEEL	2			0.125	
190	01133-51025	BOLT,SEMS	4			0.023	



No.	Part Number	Part Name (ENG)	QTY	IC	Serial No./PIN	Kg	Remarks
200	04011-50120	WASHER, PLAIN	2			0.005	
210	05511-50425	PIN, SPLIT	2			0.003	

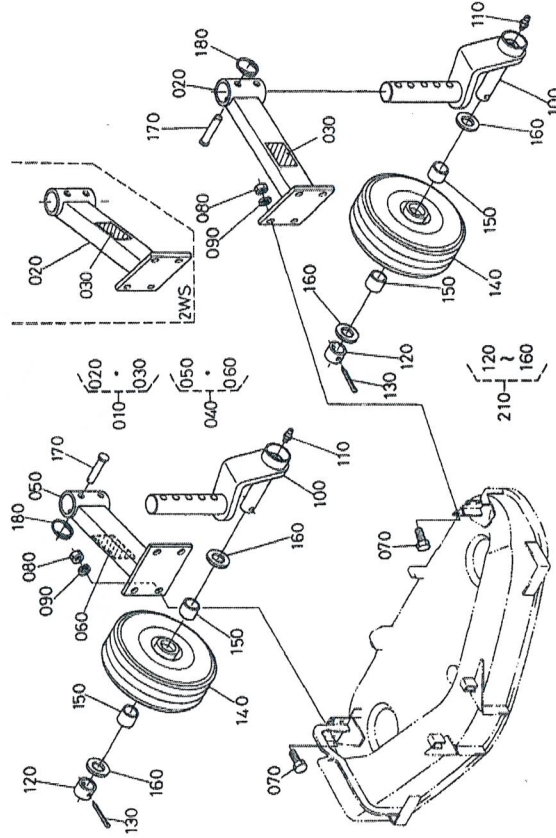
- 010 76505-4625-0
- 040 70720-4618-3
- 050 04011-50120
- 060 05511-50425
- 070 76508-4481-0
- 080 76508-4482-0



76505-813-10

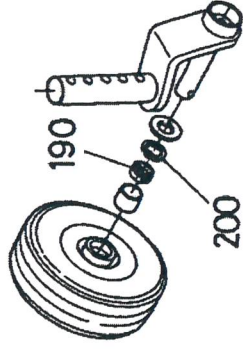
No.	Part Number	Part Name (ENG)	QTY	IC	Serial No./PIN	Kg	Remarks
010	76507-46250	ROLLER,ANTI-SCALP	1			0.280	<=JAN.1989
010	76505-46250	ROLLER,ANTI-SCALP	1	NI		0.182	>=FEB.1989
010	76507-46250	ROLLER,ANTI-SCALP	1	NI		0.280	>=DEC.1989
040	70720-46183	PIN,GAUGE WHEEL	1			0.125	<=SEP.1989
040	76505-46182	PIN,GAUGE WHEEL	1	NI		0.220	>=OCT.1989
050	04011-50120	WASHER,PLAIN	1			0.005	<=SEP.1989
050	04011-50120	WASHER,PLAIN	4			0.005	>=OCT.1989
060	05511-50425	PIN,SPLIT	1			0.003	<=SEP.1989
060	05511-50530	PIN,SPLIT	1	NI		0.006	>=OCT.1989
070	76508-44811	BRACKET,LH	1			0.000	<=SEP.1989
070	76508-44812	BRACKET,LH	1	NI		0.540	>=OCT.1989
080	76508-44821	BRACKET,RH	1			0.000	<=SEP.1989
080	76508-44822	BRACKET,RH	1	NI		0.500	>=OCT.1989

No.	Part Number	Part Name (ENG)	QTY	IC	Serial No./PIN	Kg	Remarks
010	76507-43321	ASSY SUPPORT,RW LH	1			0.000	2WS <=NOV.1990
010	76507-43322	ASSY SUPPORT,RW LH	1	NI		1.200	2WS >=DEC.1990
010	76507-43311	ASSY SUPPORT,RW LH	1			0.000	4WS <=NOV.1990
010	76507-43312	ASSY SUPPORT,RW LH	1	NI		1.300	4WS >=DEC.1990
020	76507-43120	SUPPORT,REAR WHEEL L	1			1.240	2WS <=NOV.1990
020	76507-43122	SUPPORT,REAR WHEEL L	1	NI		1.200	2WS >=DEC.1990
020	76507-43111	SUPPORT,REAR WHEEL L	1			0.000	4WS <=NOV.1990
020	76507-43112	SUPPORT,REAR WHEEL L	1	NI		1.300	4WS >=DEC.1990
030	76507-43220	LABEL	1			0.001	2WS
030	76507-43210	LABEL	1			0.001	4WS
040	76507-43330	ASSY SUPPORT,RW RH	1			1.260	<=NOV.1990
040	76507-43332	ASSY SUPPORT,RW RH	1	NI		1.200	>=DEC.1990
050	76507-43131	SUPPORT,REAR WHEEL R	1			0.000	<=NOV.1990
050	76507-43132	SUPPORT,REAR WHEEL R	1	NI		1.200	>=DEC.1990
060	76507-43230	LABEL	1			0.001	
070	01173-51025	HEX.BOLT	8			0.021	
080	02118-50100	HEX.NUT	8			0.005	
090	04512-60100	WASHER,SPRING LOCK	8			0.002	
100	76507-42150	STAY,REAR WHEEL	2			1.780	
110	06613-10675	NIPPLE,GREASE	2			0.003	
120	70712-42140	COLLAR	2			0.068	
130	05511-50545	PIN,SPLIT	2			0.010	
140	76521-42110	FRONT WHEEL	2			1.590	
150	70722-44190	BUSH	4			0.041	
160	04013-50200	WASHER,PLAIN	4			0.020	

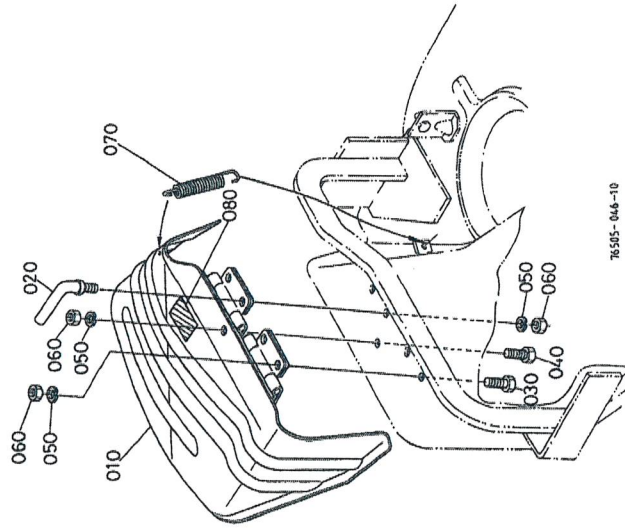


No.	Part Number	Part Name (ENG)	QTY	IC	Serial No./PIN	Kg	Remarks
170	05122-51050	PIN	2			0.032	
180	76550-42190	RING,SNAP	2			0.004	<=DEC.1994
180	70712-51140	RING,SNAP	2	=		0.009	>=JAN.1995
210	76507-99500	KIT WHEEL	2			1.800	

190 09220-20284  
200 04611-00280

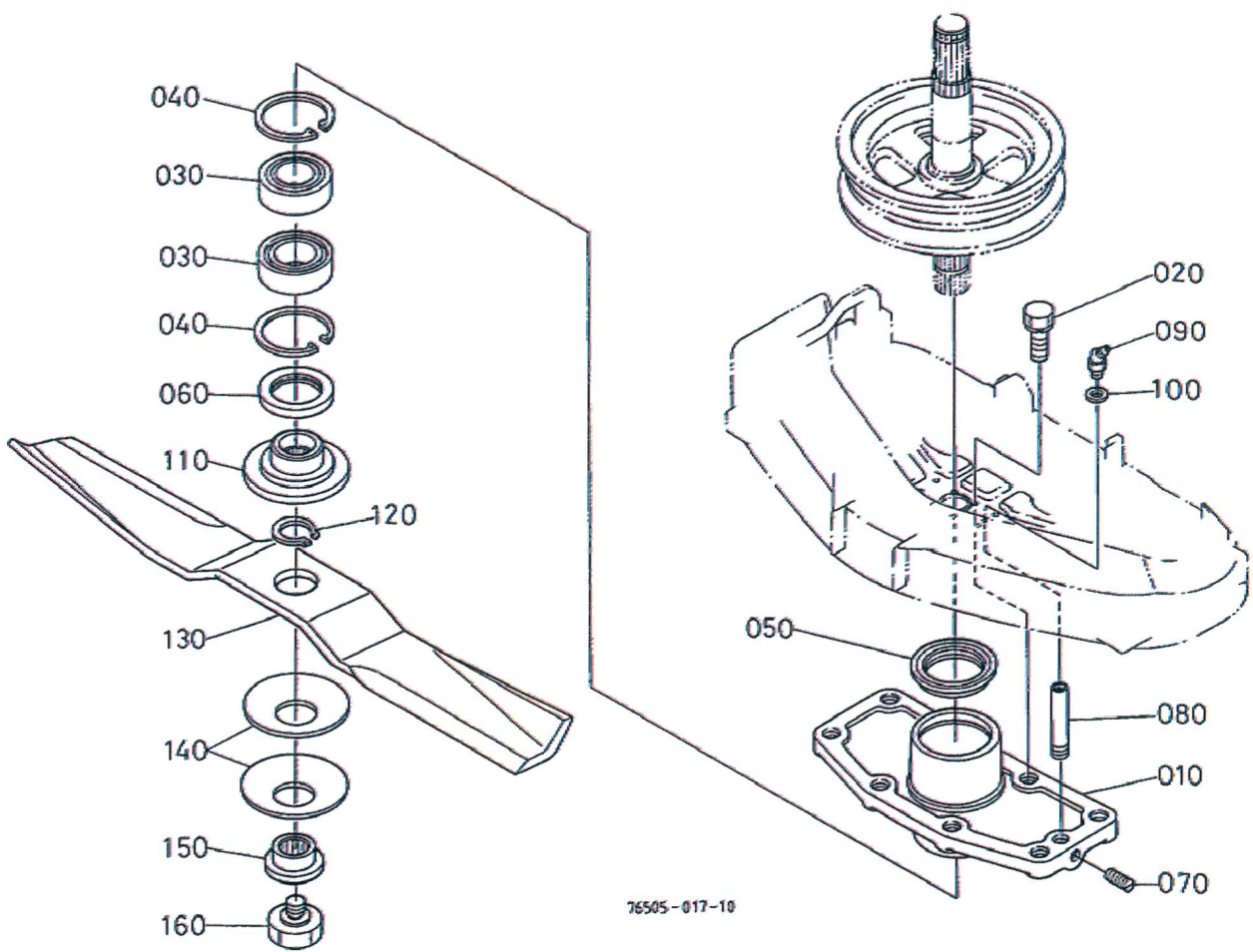


No.	Part Number	Part Name (ENG)	QTY	IC	Serial No./PIN	Kg	Remarks
190	09220-20284	SEAL,OIL	4			0.004	<=FEB.1990
190	H0920-20280	SEAL,OIL	4	>>		0.004	<=FEB.1990
200	04611-00280	CIR- CLIP,INTERNAL	4			0.002	<=FEB.1990



No.	Part Number	Part Name (ENG)	QTY	IC	Serial No./PIN	Kg	Remarks
010	76539-47114	COVER,CHUTE	1			0.000	<=NOV.1990
010	76539-47115	COVER,CHUTE	1	NI		4.500	>=DEC.1990
020	70721-47130	STOPPER,CHUTE	1			0.050	
030	01173-51025	HEX.BOLT	3			0.021	
040	01173-51028	HEX.BOLT	1			0.022	
050	04512-60100	WASHER,SPRING LOCK	5			0.002	
060	02118-50100	HEX.NUT	5			0.005	
070	70722-47120	SPRING	1			0.060	
080	76530-11480	LABEL,CAUTION	1			0.005	[FR]

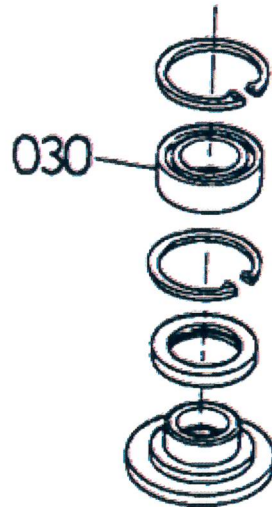
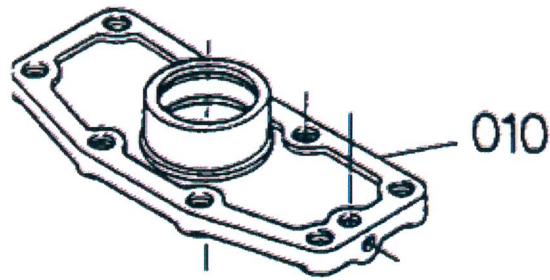




Update Date : 09-06-2016 Print Date : 17-04-2020

No.	Part Number	Part Name (ENG)	QTY	IC	Serial No./PIN	Kg	Remarks
010	76539-34111	HOLDER,PULL EY	1			0.000	<=NOV.1990
010	76539-34114	HOLDER,CENT ER PULLEY	1	NI		0.000	>=DEC.1990
010	76539-34116	HOLDER,CENT ER PULLEY	1	>>		2.750	>=MAR.1995
020	01133-51222	BOLT,SEMS	4			0.036	
030	08101-06205	BEARING,BALL	1			0.120	<=NOV.1990
030	08101-06205	BEARING,BALL	2			0.120	>=DEC.1990
040	04611-00520	CIR- CLIP,INTERNAL	2			0.009	
050	70722-34120	SEAL,OIL	1			0.025	
060	09500-35528	SEAL,OIL	1			0.017	<=FEB.1994
060	70725-34162	SEAL,OIL	1	>>		0.024	>=MAR.1994
070	03410-50606	SCREW,SLOTT ED	1			0.001	
080	76539-34132	PIPE,EXTENSI ON	1			0.010	
090	67111-44250	NIPPLE,GREAS E	1			0.005	
090	H6660-99100	NIPPLE,GREAS E	1	>>		0.005	
100	66616-34390	SHIM	1			0.001	
110	76539-34151	BOSS,BLADE	1			0.000	<=AUG.1989
110	76539-34160	BOSS,BLADE	1	NI		0.420	>=SEP.1989
110	76539-34150	BOSS,BLADE	1	NI		0.280	>=DEC.1990
120	04612-00220	CIR- CLIP,EXTERNA L	1			0.001	
130	76529-34330	BLADE	1			1.450	
140	76550-34350	RETAINER,BLA DE	2			0.075	
150	76539-34390	JOINT,BLADE BOSS	1			0.000	
160	76539-34372	BOLT,LOCKING BLADE	1			0.050	

010 76539-3411-0  
030 08101-06205



76505-811-10

## BKIDA0099 &gt;&gt; RC54-G20 &gt;&gt; MOWER &gt;&gt; G088-2 PULLEY HOLDER/BLADE

Update Date : 09-06-2016 Print Date : 17-04-2020

No.	Part Number	Part Name (ENG)	QTY	IC	Serial No./PIN	Kg	Remarks
010	76539-34111	HOLDER,PULL EY	1			0.000	<=NOV.1990
010	76539-34114	HOLDER,CENT ER PULLEY	1	NI		0.000	>=DEC.1990
010	76539-34116	HOLDER,CENT ER PULLEY	1	>>		2.750	>=MAR.1995
030	08101-06205	BEARING,BALL	1			0.120	<=NOV.1990
030	08101-06205	BEARING,BALL	2			0.120	>=DEC.1990