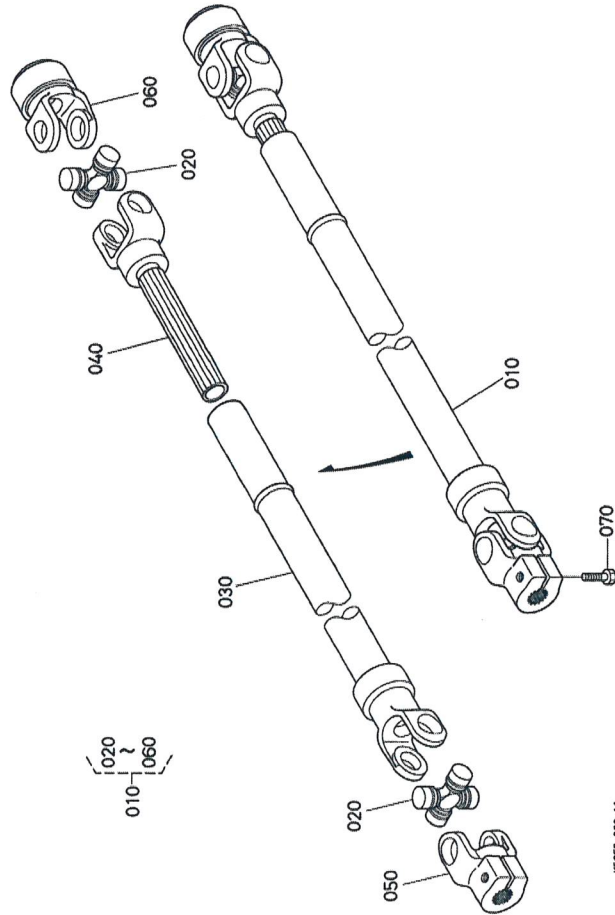
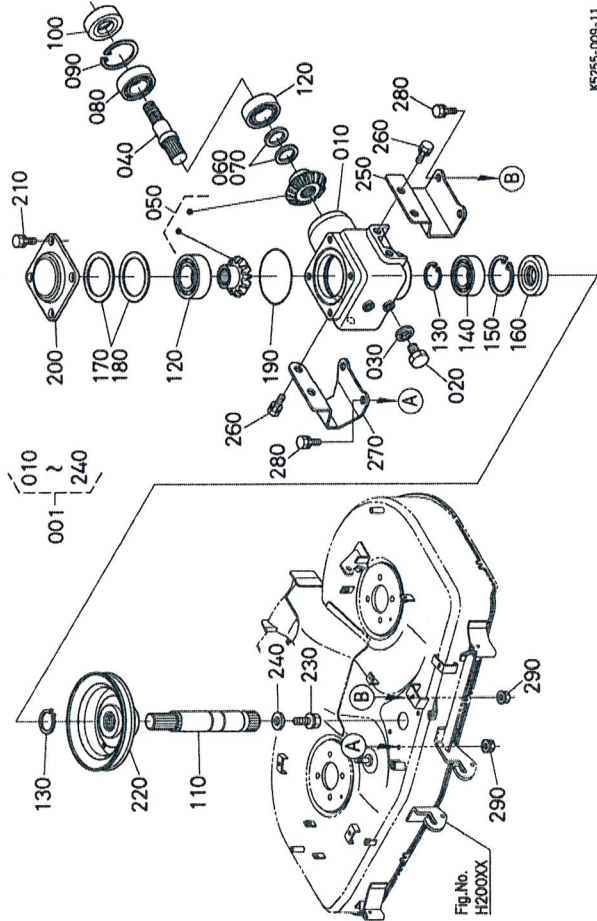


No.	Part Number	Part Name (ENG)	QTY	IC	Serial No./PIN	Kg	Remarks
010	K5253-32030	JOINT,UNIVER SAL	1			2.300	
020	K1253-01310	JOINT,ASSY (UNIVERSAL)	2			0.160	
030	K5253-03210	YOKE(SLEEVE)	1			1.000	
040	K5253-03220	YOKE(SHAFT)	1			0.563	
050	K5253-03230	YOKE(CLAMP)	1			0.206	
060	K5253-03240	YOKE,ASSY (AS)	1			0.227	
070	01123-50825	BOLT,SEMS	1			0.013	



K5253-020-11

No.	Part Number	Part Name (ENG)	QTY	IC	Serial No./PIN	Kg	Remarks
001	K5253-33102	ASSY CASE,BEVEL GEAR	1			7.100	
010	70712-33113	CASE,BEVEL GEAR	1			3.160	
020	01173-51014	HEX.BOLT	2			0.015	
030	04717-01000	WASHER,SEAL	2			0.001	
040	K5253-33310	SHAFT,INPUT	1			0.380	
050	K5253-33370	KIT GEAR,BEVEL	1			0.150	
060	70720-33350	SHIM	1			0.001	0.20mm
070	70720-33360	SHIM	1			0.001	0.30mm
080	70712-33550	BEARING,BALL	1			0.220	
090	04611-00520	CIR. CLIP,INTERNAL	1			0.009	
100	76535-33440	SEAL,OIL	1			0.020	
110	K5253-33510	SHAFT,OUT PUT	1			0.480	
120	08101-06205	BEARING,BALL	2			0.120	
130	04612-00250	CIR. CLIP,EXTERNAL	2			0.002	
140	08101-06205	BEARING,BALL	1			0.120	
150	04611-00520	CIR. CLIP,INTERNAL	2			0.009	
160	76535-33440	SEAL,OIL	1			0.020	
170	76539-33410	SHIM	1			0.001	0.20mm
180	76539-33590	SHIM	1			0.005	0.30mm
190	04811-10800	O RING	1			0.001	
200	76505-33610	COVER,BEVEL CASE	1			0.200	
210	01123-50814	BOLT,SEMS	4			0.010	
220	K5253-33530	PULLEY,BLADE CENTER	1			0.870	
230	01774-51225	BOLT,FLANGE	1			0.040	
240	04015-50120	WASHER,PLAIN	1			0.020	
250	K5253-33730	STAY,GEAR CASE LH	1			0.000	
260	01133-51220	BOLT,SEMS	4			0.040	
270	K5253-33714	STAY,GEAR CASE RH	1			0.000	
280	01133-51020	BOLT,SEMS	4			0.020	

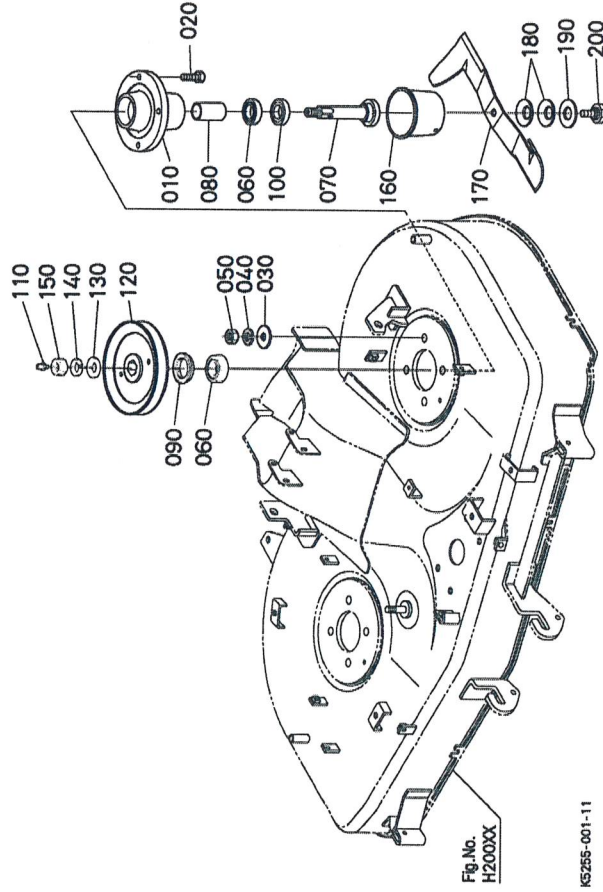


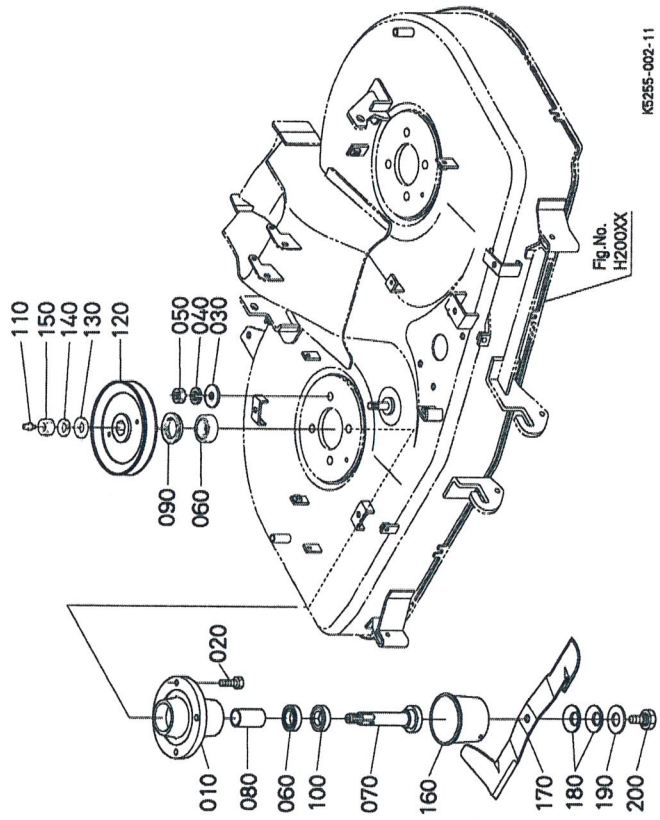
BKIDA0323 >> RCK42GREC2 >> MOWER >> H01001 BEVEL GEAR CASE

Update Date : 23-03-2018 Print Date : 17-04-2020

No.	Part Number	Part Name (ENG)	QTY	IC	Serial No./PIN	Kg	Remarks
290	02771-50100	NUT,FLANGE	4			0.005	

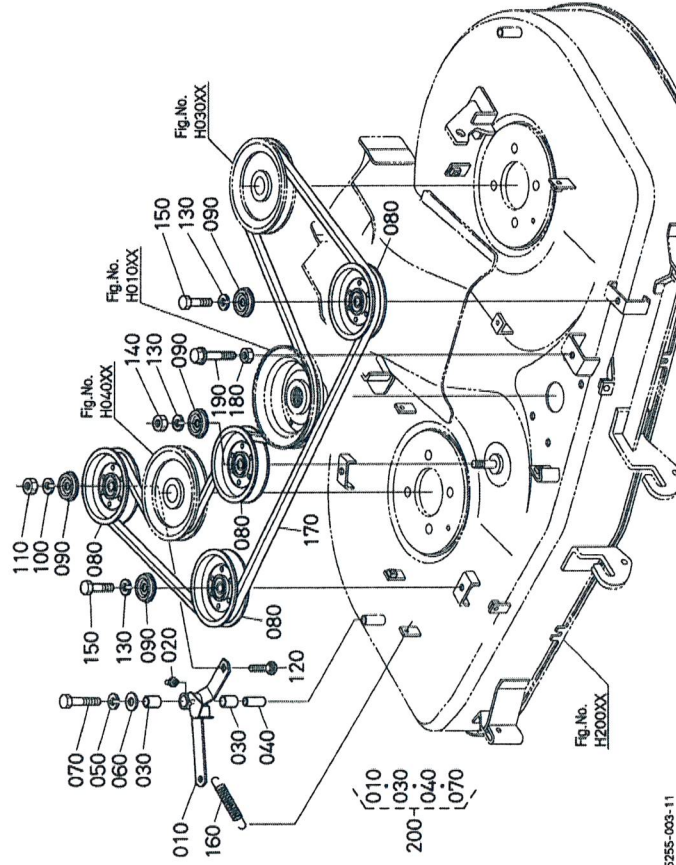
No.	Part Number	Part Name (ENG)	QTY	IC	Serial No./PIN	Kg	Remarks
010	K5617-34510	HOLDER,PULL EY SIDE	1			0.000	
020	01173-51030	HEX.BOLT	4			0.023	
030	04015-50100	WASHER,PLAI N	4			0.016	
040	04512-50100	WASHER,SPRI NG LOCK	4			0.003	
050	02118-50100	HEX.NUT	4			0.005	
060	08101-06205	BEARING,BALL	2			0.120	
070	K5617-34550	SHAFT, BLADE	1			0.000	
080	K5617-71130	COLLAR	1			0.115	
090	70722-34120	SEAL,OIL	1			0.025	
100	70725-34162	SEAL,OIL	1			0.024	
110	K1122-15150	NIPPLE,GREAS E	1		<=45321	0.002	M6*1.0
110	K1122-15152	NIPPLE (GREASE,M6*1. 0)	1	>>	>=45322	0.002	M6*1.0
120	K5221-71140	PULLEY, BLADE SIDE	1			0.741	
130	04013-50180	WASHER,PLAI N	1			0.015	
140	04512-50180	WASHER,SPRI NG LOCK	1			0.015	
150	02174-50180	HEX.NUT	1			0.029	
160	K5617-34310	COVER,DUST	1		<=38730	0.150	
160	K5617-34312	COVER,DUST	1	>>	>=38731	0.000	
170	K5253-71830	BLADE,42 LH	1			2.100	
180	K5371-34350	SPRING,LEAF	2		<=36541	0.030	
180	K5371-34352	SPRING,CORN	2	>>	>=36542	0.030	
190	6A320-14530	SHIM	1			0.012	1.0mm
190	K5617-34320	SHIM(1.0)	1	=		0.000	1.0mm
200	K5411-71350	BOLT, BLADE	1			0.085	





No.	Part Number	Part Name (ENG)	QTY	IC	Serial No./PIN	Kg	Remarks
010	K5617-34510	HOLDER,PULL EY SIDE	1			0.000	
020	01173-51030	HEX,BOLT	4			0.023	
030	04015-50100	WASHER,PLAI N	4			0.016	
040	04512-50100	WASHER,SPRI NG LOCK	4			0.003	
050	02118-50100	HEX,NUT	4			0.005	
060	08101-06205	BEARING,BALL	2			0.120	
070	K5253-34550	SHAFT,BLADE RH	1			0.000	M6*1,0
080	K5617-71130	COLLAR	1			0.115	
090	70722-34120	SEAL,OIL	1			0.025	
100	70725-34162	SEAL,OIL	1			0.024	
110	K1122-15150	NIPPLE,GREAS E	1		<=45321	0.002	M6*1,0
110	K1122-15152	NIPPLE (GREASE,M6*1, 0)	1	>>	>=45322	0.002	M6*1,0
120	K5221-71140	PULLEY,BLADE SIDE	1			0.741	
130	04013-50180	WASHER,PLAI N	1			0.015	
140	04512-50180	WASHER,SPRI NG LOCK	1			0.015	
150	02174-50180	HEX,NUT	1			0.029	
160	K5617-34310	COVER,DUST	1			0.150	
160	K5617-34312	COVER,DUST	1	>>	<=38730 >=38731	0.000	
170	K5253-71930	BLADE,42 RH	1			2.150	
180	K5371-34350	SPRING,LEAF	2			0.030	
180	K5371-34352	SPRING,CORN	2	>>	<=36541 >=36542	0.030	
190	6A320-14530	SHIM	1			0.012	1.0mm
190	K5617-34320	SHIM(1.0)	1	=		0.000	1.0mm
200	K5243-34370	BOLT,BLADE RH	1			0.095	

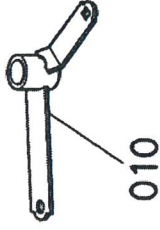
No.	Part Number	Part Name (ENG)	QTY	IC	Serial No./PIN	Kg	Remarks
010	K5253-34730	ARM	1		<=36208	0.000	ORDER BY REF.No.200
010	K5253-34732	ARM	1	NI	>=36209	0.000	ORDER BY REF.No.010 NEW PART
010	K5253-34734	ARM(TENSION)	1	>>	>=42801	0.000	
020	K1122-15150	NIPPLE,GREASE	1		<=45321	0.002	M6*1.0
020	K1122-15152	NIPPLE (GREASE,M6*1.0)	1	>>	>=45322	0.002	M6*1.0
030	K5651-20150	BUSHING,TENSION #12KU10	2			0.017	
040	K5651-34780	COLLAR (TENSION)	1		<=36208	0.055	
040	K5255-34780	COLLAR,TENSION	1	NI	>=36209	0.000	
050	04512-50120	WASHER,SPRING LOCK	1			0.003	
060	04015-50120	WASHER,PLAIN	1			0.020	
070	01173-51285	HEX.BOLT	1		<=36208	0.063	
070	01173-51270	HEX.BOLT	1	NI	>=36209	0.067	
080	K1221-26540	PULLEY,IDLER	4			0.490	
090	K5410-71660	COVER,TENSION	4			0.017	
100	75599-33015	WASHER,SPRING LOCK(1/2)	1			0.006	
110	75599-31025	HEX NUT(1/2-20UNF)	1			0.015	
120	0Y169-50828	BOLT,SHORT SQUARE NECK(1/2-20UNF)	1			0.060	
130	04512-50120	WASHER,SPRING LOCK	3			0.003	
140	02174-50120	HEX.NUT	1			0.010	
150	01173-51240	HEX.BOLT	2			0.045	
160	K5763-34750	SPRING (TENSION)	1		<=20407	0.170	
160	K5254-34750	SPRING,TENSION	1	NI	>=20408	0.000	
160	K5254-34752	SPRING (TENSION)	1	>>	>=44559	0.000	
170	K5253-71420	BELT,MOWER	1			0.000	



K5255-003-11

OLD

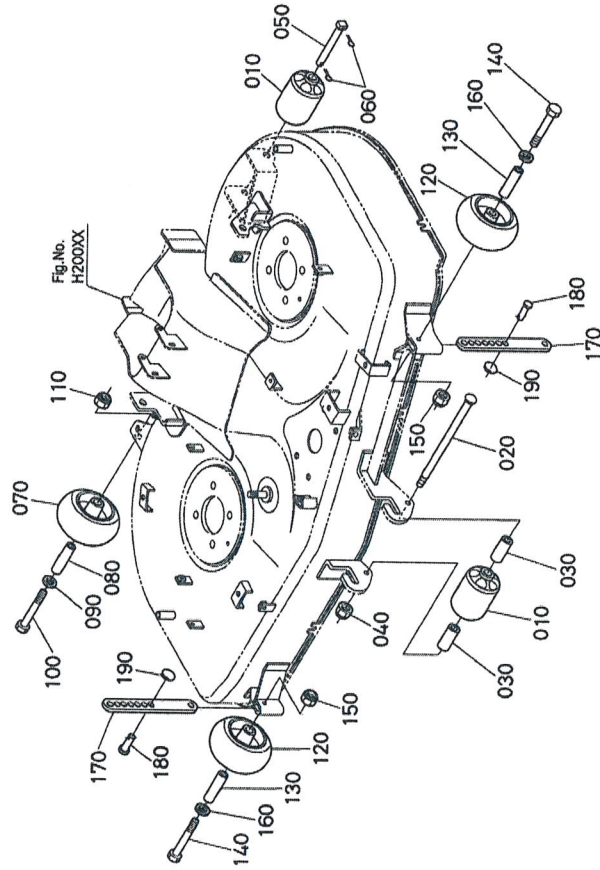
No.	Part Number	Part Name (ENG)	QTY	IC	Serial No./PIN	Kg	Remarks
180	02014-50100	HEX.NUT	1			0.011	
190	01754-51075	BOLT,FLANGE	1			0.048	
200	K5253-34700	ARM,KIT TENSION	1			0.000	



Update Date : 23-03-2018 Print Date : 17-04-2020

No.	Part Number	Part Name (ENG)	QTY	IC	Serial No./PIN	Kg	Remarks
010	K5253-34730	ARM	1		<=36208	0.000	ORDER BY REF.No.200
010	K5253-34732	ARM	1	NI	>=36209	0.000	ORDER BY REF.No.010 NEW PART
010	K5253-34734	ARM(TENSION)	1	>>	>=42801	0.000	

No.	Part Number	Part Name (ENG)	QTY	IC	Serial No./PIN	Kg	Remarks
010	K5112-72420	ROLLER(ANTI-SCALP)	2			0.150	
020	K5221-72650	BOLT(GAUGE)	1		<=45000	0.250	
020	K5221-72652	BOLT(GAUGE,2-2.5)	1	>>	>=45001	0.250	
030	K5371-44310	COLLAR, WHEEL 2.5	2			0.045	
040	02572-50120	NUT,LOCKING	1			0.014	
050	K5112-72650	PIN,GAUGE	1		<=41810	0.300	
050	K5112-72653	PIN,GAUGE 2.5	1	>>	>=41811	0.300	
060	75599-53173	PIN,COTTER (1/8"1)	2			0.002	1/8"1
070	K5371-42110	GAUGE WHEEL,5.0	1			0.460	
080	K5617-72660	BOSS GAUGE WHEEL	1			0.000	
090	04015-50100	WASHER,PLAI N	1			0.016	
100	01133-51090	BOLT,SEMS	1			0.056	
110	02572-50100	NUT,LOCKING	1			0.008	
120	K5182-72410	GAUGE WHEEL	2			0.460	
130	K5182-72660	BOSS GAUGE WHEEL	2			0.060	
140	01053-50890	HEX.BOLT	2			0.030	
150	K5112-72840	LOCKNUT (M8*1.25)	2		<=45000	0.005	M8*1.25
150	K5112-72842	HEX (LOCKNUT,M8*1.25)	2	>>	>=45001	0.005	M8*1.25
160	K5112-72830	WASHER,PLAI N	2		<=45000	0.005	
160	K5112-72832	WASHER (PLAIN)	2	>>	>=45001	0.005	
170	K5122-72680	PLATE(GAUGE WHEEL)	2			0.360	
180	75599-51320	PIN,CLEVIS (3/8"1)	2			0.017	3/8"1
190	K5112-72730	CIRCLIP	2		<=45841	0.010	
190	K5112-72733	RING(SNAP)	2	>>	>=45842	0.010	



K5255-005-11