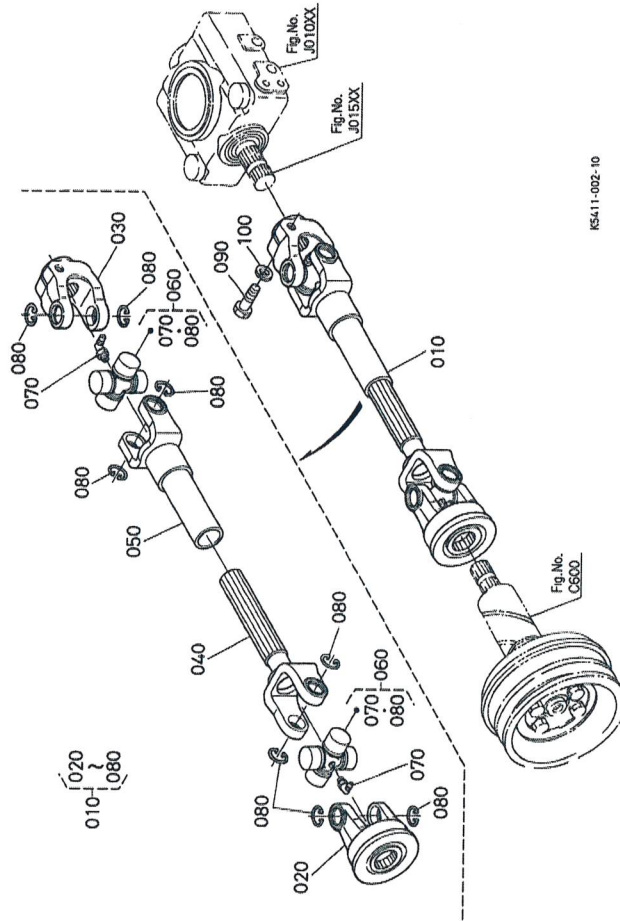
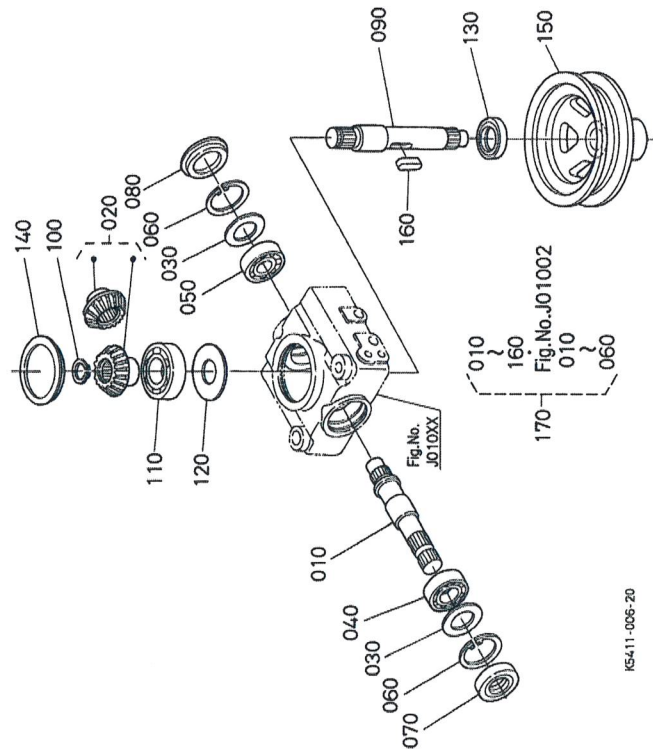


No.	Part Number	Part Name (ENG)	QTY	IC	Serial No./PIN	Kg	Remarks
010	K5460-32030	JOINT,UNIV,ASY	1			3.050	
020	76539-31150	YOKE(QUICK)	1			0.550	
030	K5371-31130	YOKE,PTO	1			0.480	
040	K5460-31190	SHAFT,JOINT	1			0.980	
050	K5700-31170	YOKE(JOINT)	1			0.610	
060	76539-31180	JOINT,ASSY (CROSS)	2			0.200	
070	76539-31210	NIPPLE,GREASE	2			0.010	
080	76539-32120	RING,SNAP	8			0.003	
090	01053-51035	HEX.BOLT	1			0.030	
100	04512-50100	WASHER,SPRING LOCK	1			0.003	

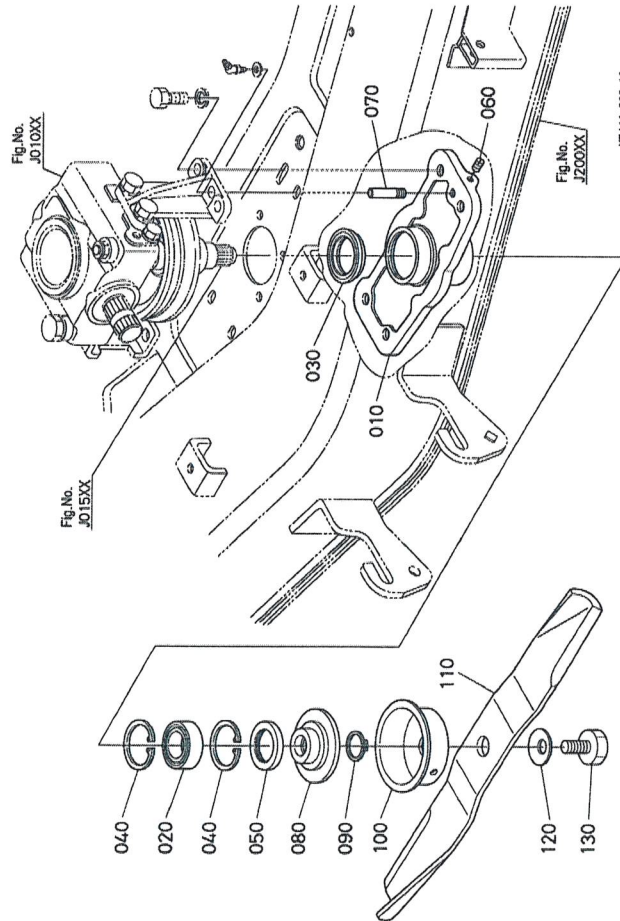


K5411-002-10

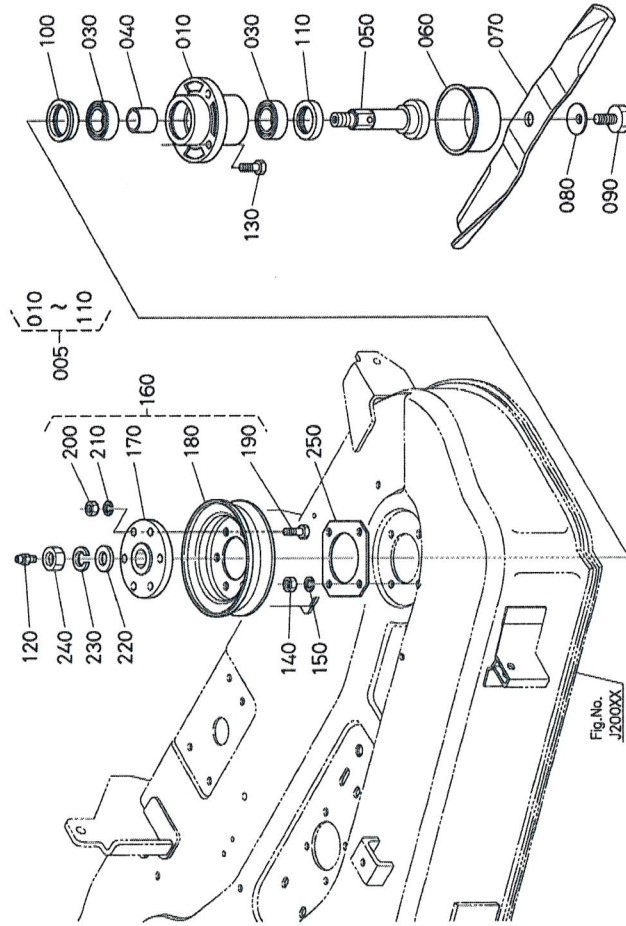
No.	Part Number	Part Name (ENG)	QTY	IC	Serial No./PIN	Kg	Remarks
010	K5763-33310	SHAFT(PINION)	1			0.660	
020	K5762-33320	GEAR,BEVEL,KEY	1			0.476	16-21T
030	36330-28420	SHIM 0.2	2			0.002	0.20mm
030	36330-28410	SHIM 0.3	2			0.002	0.30mm
040	08101-06205	BEARING,BALL	1			0.120	
050	08101-06304	BEARING,BALL	1			0.146	
060	04611-00520	CIR-CLIP,INTERNAL	2			0.009	
070	76535-33440	SEAL,OIL	1			0.020	
080	63313-32270	CAP	1			0.030	
090	K5428-71270	SHAFT(BLADE)	1			0.630	
100	04612-00220	CIR-CLIP,EXTERNAL	1			0.001	
110	70712-33550	BEARING,BALL	1			0.220	
120	70712-33570	SHIM	1			0.001	0.10mm
120	76539-33410	SHIM	1			0.001	0.20mm
130	K5761-33540	SEAL,OIL	1			0.010	
140	7C765-51260	CAP	1			0.070	
150	K5371-33520	PULLY,CENTER	1			1.780	
160	05712-00728	KEY,FEATHER	1			0.010	
170	K5428-71050	ASSY CASE,BEVEL GEAR	1			2.000	
170	K5428-71053	ASSY CASE,BEVEL GEAR	1	=		8.300	



No.	Part Number	Part Name (ENG)	QTY	IC	Serial No./PIN	Kg	Remarks
010	K5700-34110	HOLDER (PULLEY CENTER)	1			2.810	
020	08101-06205	BEARING,BALL	1			0.120	
030	K5651-34121	OIL SEAL,UPPER	1			0.000	
030	70722-34120	SEAL,OIL	1	=		0.025	
040	04611-00520	CIR-CLIP,INTERNAL	2			0.009	
050	K5651-34161	OIL SEAL,LOWER	1			0.000	
050	70725-34162	SEAL,OIL	1	=		0.024	
060	03410-50608	SCREW,SLOTTED	1			0.001	
070	K5763-34130	PIPE EXTENSION	1			0.023	
080	K5761-34152	BOSS,SPLINE	1			0.280	
090	04612-00180	CIR-CLIP,EXTERNAL	1			0.001	
100	K5221-71230	COVER(DUST)	1			0.112	
110	K5182-71821	BLADE,48L (LOW LIFT)	1			0.000	
110	K5182-71840	BLADE,48L-B LOW LIFT K138	1			0.985	
120	K5112-71331	SPRING,LEAF	1		<=10974	0.000	
120	K5112-71333	SPRING,PLATE	1	>>	>=10975	0.040	
130	K5700-34370	BOLT(BLADE)	1		<=10810	0.090	
130	K5700-34375	BOLT (BLADE,M12*1.25)	1	>>	>=10811	0.090	



No.	Part Number	Part Name (ENG)	QTY	IC	Serial No./PIN	Kg	Remarks
005	K5700-34502	ASSY. HOLDER PULLEY	1			5.000	
010	K5700-34510	HOLDER (PULLEY SIDE)	1			0.570	
030	08101-06205	BEARING,BALL	2			0.120	
040	K5221-71130	COLLAR	1			0.055	
050	K5700-34552	SHAFT(BLADE)	1			0.570	
060	K5221-71230	COVER(DUST)	1			0.112	
070	K5182-71821	BLADE,48L (LOW LIFT)	1		<=10372	0.000	
070	K5182-71840	BLADE,48L-B LOW LIFT K138	1	>>	>=10373	0.985	
080	K5112-71331	SPRING,LEAF	1		<=10974	0.000	
080	K5112-71333	SPRING,PLATE	1	>>	>=10975	0.040	
090	K5700-34370	BOLT(BLADE)	1		<=10810	0.090	
090	K5700-34375	BOLT (BLADE,M12*1.25)	1	>>	>=10811	0.090	
100	K5651-34121	OIL SEAL,UPPER	1			0.000	
100	70722-34120	SEAL,OIL	1	=		0.025	
110	K5651-34161	OIL SEAL,LOWER	1			0.000	
110	70725-34162	SEAL,OIL	1	=		0.024	
120	K1122-15150	NIPPLE,GREASE	1		<=10813	0.002	
120	K1122-15152	NIPPLE (GREASE,M6*1.0)	1	>>	>=10814	0.002	
130	75599-04320	HEX.BOLT(3/8-24UNF*1)	4			0.020	
140	75599-31023	HEX.NUT(3/8-24UNF)	4			0.006	
150	75599-33013	WASHER,SPRING LOCK(3)	4			0.006	
160	K5371-34590	PULLEY,ASSY (BLADE S)	1			1.400	
170	K5371-34572	BOSS SIDE PULLEY	1			0.700	
180	K5371-34580	PULLEY,BLADE SIDE	1			0.650	
190	01053-50825	HEX.BOLT	6			0.014	
200	02054-50080	HEX.NUT	6			0.005	

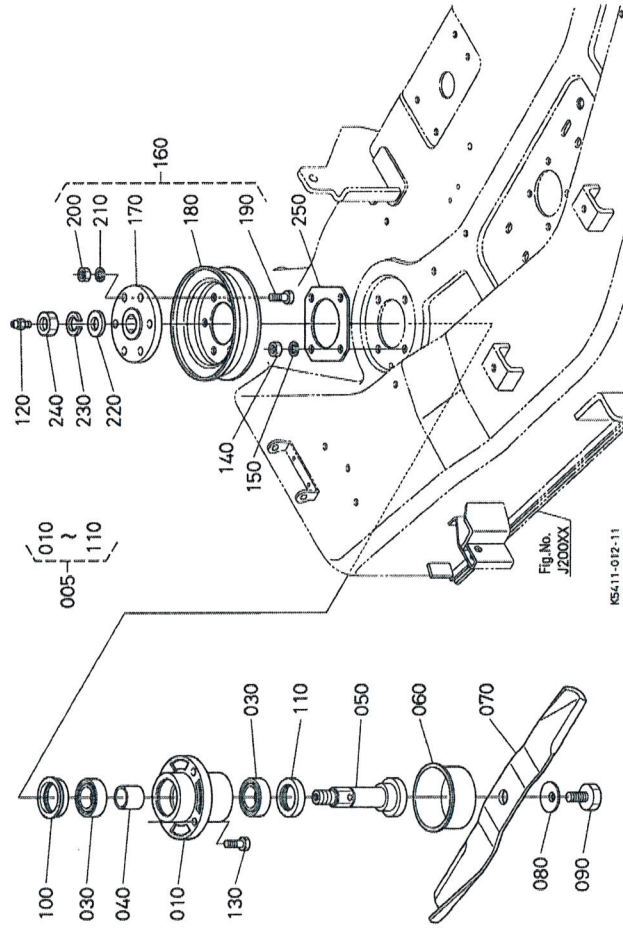


BKIDK0500 >> RC(48-21GUJ(G2160)) >> MOWER >> J03002 PULLEY HOLDER/BLADE(LEFT)

Update Date : 13-10-2016 Print Date : 17-04-2020

No.	Part Number	Part Name (ENG)	QTY	IC	Serial No./PIN	Kg	Remarks
210	75599-33012	WASHER,SPRING LOCK(5/16)	6			0.002	
220	04013-50180	WASHER,PLAIN	1			0.015	
230	04512-50180	WASHER,SPRING LOCK	1			0.015	
240	02074-50180	NUT	1			0.043	
250	K5112-72810	PLATE (HOLDER PULLEY)	1			0.170	

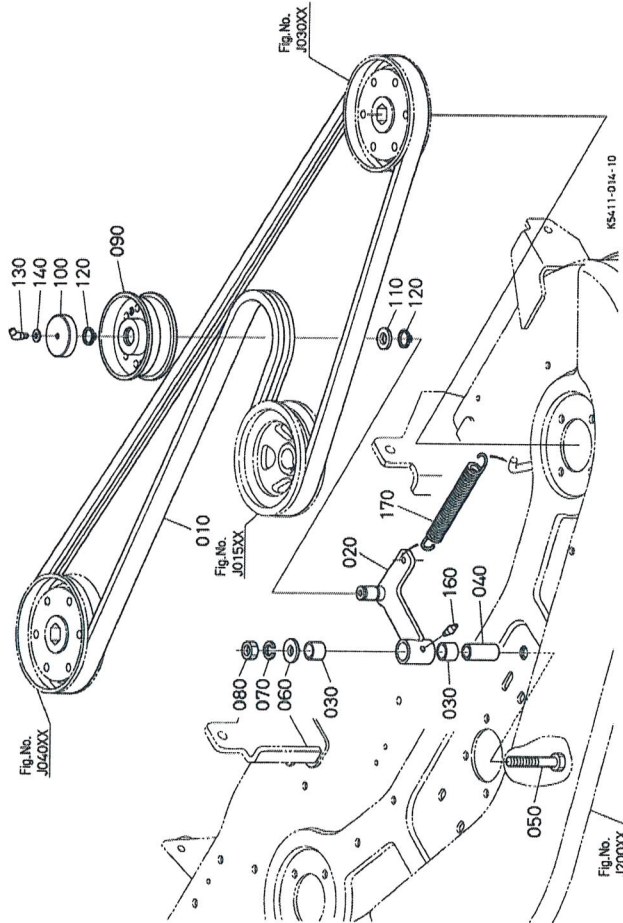
No.	Part Number	Part Name (ENG)	QTY	IC	Serial No./PIN	Kg	Remarks
005	K5700-34502	ASSY, HOLDER PULLEY	1			5.000	
010	K5700-34510	HOLDER (PULLEY SIDE)	1			0.570	
030	08101-06205	BEARING,BALL	2			0.120	
040	K5221-71130	COLLAR	1			0.055	
050	K5700-34552	SHAFT(BLADE)	1			0.570	
060	K5221-71230	COVER(DUST)	1			0.112	
070	K5182-71821	BLADE,48L (LOW LIFT)	1		<=10372	0.000	
070	K5182-71840	BLADE,48L-B LOW LIFT K138	1	>>	>=10373	0.985	
080	K5112-71331	SPRING,LEAF	2		<=10974	0.000	
080	K5112-71333	SPRING,PLATE	2	>>	>=10975	0.040	
090	K5700-34370	BOLT(BLADE)	1			0.090	
100	K5651-34121	OIL SEAL,UPPER	1	=		0.000	
100	70722-34120	SEAL,OIL	1	=		0.025	
110	K5651-34161	OIL SEAL,LOWER	1			0.000	
110	70725-34162	SEAL,OIL	1	=		0.024	
120	K1122-15150	NIPPLE,GREASE	1		<=10813	0.002	
120	K1122-15152	NIPPLE (GREASE,M6*1.0)	1	>>	>=10814	0.002	
130	75599-04320	HEX BOLT(3/8-24UNF*1)	4			0.020	
140	75599-31023	HEX NUT(3/8-24UNF)	4			0.006	
150	75599-33013	WASHER,SPRING LOCK(3)	4			0.006	
160	K5371-34590	PULLEY,ASSY (BLADE S)	1			1.400	
170	K5371-34572	BOSS SIDE PULLEY	1			0.700	
180	K5371-34580	PULLEY,BLADE SIDE	1			0.650	
190	01053-50825	HEX,BOLT	6			0.014	
200	02054-50080	HEX,NUT	6			0.005	
210	75599-33012	WASHER,SPRING LOCK(5/16)	6			0.002	



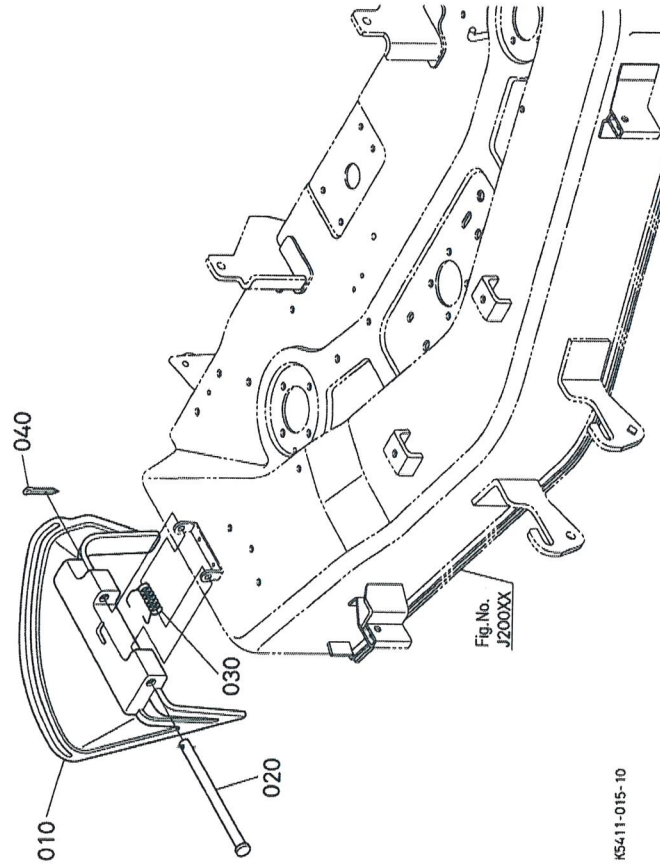
BKIDK0500 >> RCK48-21GUU(G2160) >> MOWER >> J04002 PULLEY HOLDER/BLADE(RIGHT)

Update Date : 13-10-2016 Print Date : 17-04-2020

No.	Part Number	Part Name (ENG)	QTY	IC	Serial No./PIN	Kg	Remarks
220	04013-50180	WASHER, PLAIN	1			0.015	
230	04512-50180	WASHER, SPRING LOCK	1			0.015	
240	02074-50180	NUT	1			0.043	
250	K5112-72810	PLATE (HOLDER PULLEY)	1			0.170	



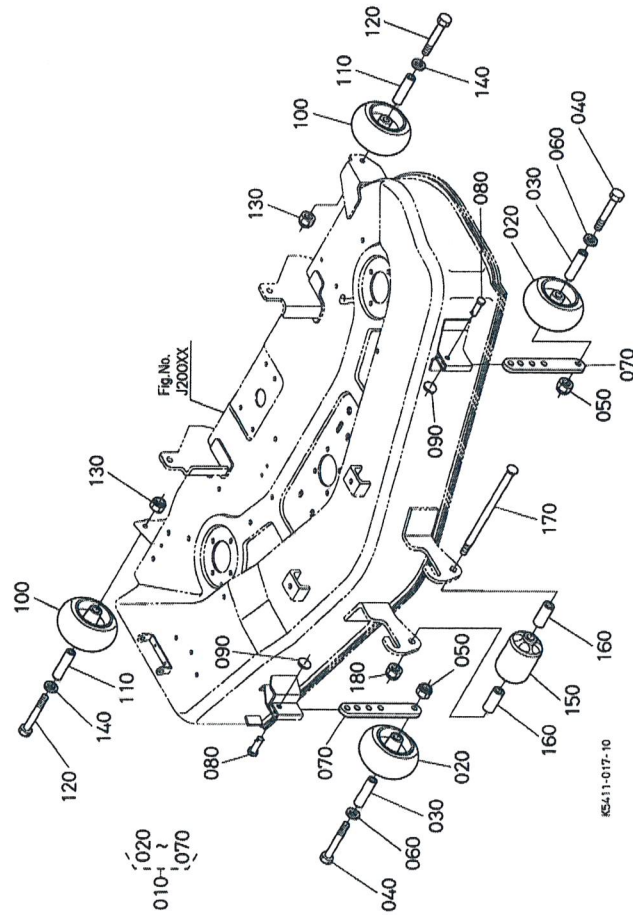
No.	Part Number	Part Name (ENG)	QTY	IC	Serial No./PIN	Kg	Remarks
010	K5700-34711	V-BELT (MULTI,104)	1		<=10741	0.000	ORDER BY REF.No.010 NEW PART.
010	K5700-34712	MULTI BELT, 104 POLY	1	>>	>=10742	0.790	
020	K5700-34730	ARM,TENSION	1			0.460	
030	K5651-20150	BUSHING (TENSION)	2			0.017	
040	K5651-34780	COLLAR (TENSION)	1			0.055	
050	01073-51270	BOLT	1			0.060	
060	75599-32015	WASHER,PLAIN(1/2)	1			0.010	
070	04512-50120	WASHER,SPRING LOCK	1			0.003	
080	02074-50120	NUT	1			0.015	
090	K5651-34880	PULLEY,TENSION	1			0.550	
100	K5651-34790	COVER,TENSION	1			0.020	
110	K5651-34800	SEAL (BEARING)	1		<=10815	0.001	
110	K5651-34802	SEAL (BEARING)	1	>>	>=10816	0.001	
120	04612-00170	CIR-CLIP,EXTERNAL	2			0.001	
130	K5371-34750	NIPPLE,GREASE	1		<=10518	0.010	
130	K5763-12100	NIPPLE (GREASE,45°)	1	>>	>=10519	0.007	
130	K5763-12102	NIPPLE (GREASE,45°)	1	>>	>=10816	0.007	
140	K5763-27350	SHIM,ADJUST (M8)	1			0.001	
160	K1122-15150	NIPPLE,GREASE	1		<=10813	0.002	
160	K1122-15152	NIPPLE (GREASE,M6*1.0)	1	>>	>=10814	0.002	
170	K5700-34750	SPRING (TENSION)	1		<=10815	0.120	
170	K5700-34752	SPRING (TENSION)	1	>>	>=10816	0.120	



K5411-015-10

No.	Part Number	Part Name (ENG)	QTY	IC	Serial No./PIN	Kg	Remarks
010	K5182-72111	COVER	1		<=10262	0.000	ORDER BY REF.No.010 NEW PART.
010	K5182-72112	DISCHARGE,C COVER	1	>>	>=10263	0.720	
020	K5112-72120	PIN(COVER)	1		<=10794	0.090	
020	K5112-72122	PIN,COVER	1	>>	>=10795	0.090	
030	K5112-72130	SPRING (COVER)	1		<=10815	0.050	
030	K5112-72132	SPRING (COVER)	1	>>	>=10816	0.050	
040	75599-53152	PIN,COTTER (3/32*3/4)	1			0.001	

No.	Part Number	Part Name (ENG)	QTY	IC	Serial No./PIN	Kg	Remarks
010	K5182-72600	ROOLER ASSY (ANTI-SCALP)	2			0.960	
020	K5182-72410	ROLLER ANTI-SCALP	2			0.460	
030	K5182-72660	BOSS(GAUGE WHEEL)	2			0.060	
040	01053-50890	HEX BOLT	2			0.030	
050	K5112-72840	LOCKNUT (M8*1.25)	2		<=10819	0.005	
050	K5112-72842	HEX (LOCKNUT, M8*1.25)	2	>>	>=10820	0.005	
060	K5112-72830	WASHER, PLAIN	2		<=10819	0.005	
060	K5112-72832	WASHER (PLAIN)	2	>>	>=10820	0.005	
070	K5112-72681	PLATE(GAUGE WHEEL)	2		<=10372	0.000	
070	K5122-72680	PLATE(GAUGE WHEEL)	2	>>	>=10373	0.360	
080	75599-51320	PIN,CLEVIS (3/8"1)	2			0.017	
090	K5112-72730	CIRCLIP	2		<=10819	0.010	
090	K5112-72733	RING(SNAP)	2	>>	>=10820	0.010	
100	K5182-72410	ROLLER ANTI-SCALP	2			0.460	
110	K5182-72660	BOSS(GAUGE WHEEL)	2			0.060	
120	01053-50890	HEX BOLT	2			0.030	
130	K5112-72840	LOCKNUT (M8*1.25)	2		<=10819	0.005	
130	K5112-72842	HEX (LOCKNUT, M8*1.25)	2	>>	>=10820	0.005	
140	K5112-72830	WASHER, PLAIN	2		<=10819	0.005	
140	K5112-72832	WASHER (PLAIN)	2	>>	>=10820	0.005	
150	K5112-72420	ROLLER ANTI-SCALP	1			0.150	
160	K5371-44310	COLLAR, WHEEL	2			0.045	
170	K5221-72650	BOLT(GAUGE)	1		<=10819	0.250	

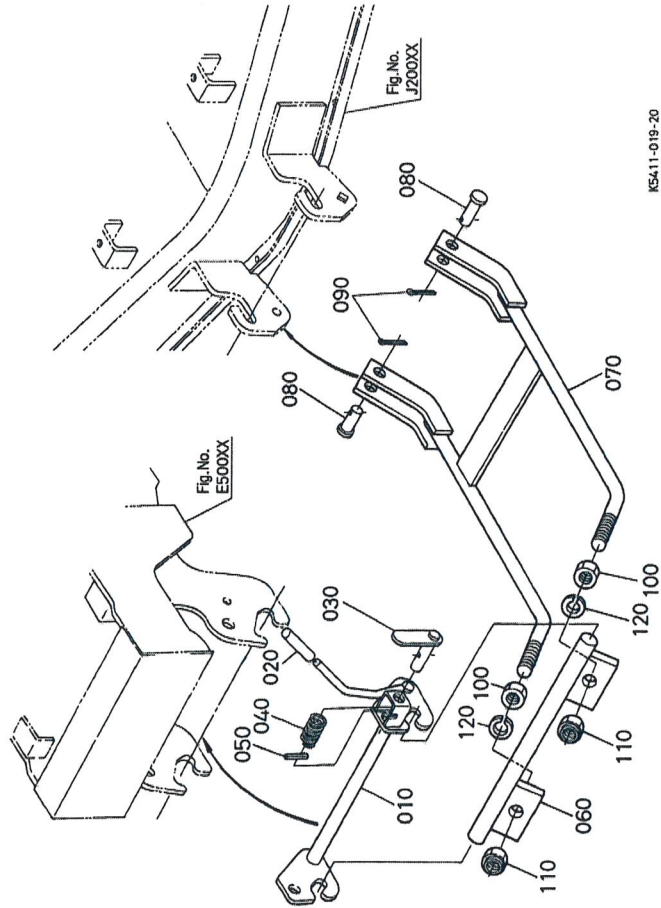


#5411-017-10

No.	Part Number	Part Name (ENG)	QTY	IC	Serial No./PIN	Kg	Remarks
170	K5221-72652	BOLT(GAUGE,2 -2.5)	1	>>	>=10820	0.250	
180	02572-50120	NUT_LOCKING	1			0.014	

No.	Part Number	Part Name(ENG)	Qty	Model
110	T0070-31410	TIMER,KEY STOP	1	GR1600EC2

No.	Part Number	Part Name (ENG)	QTY	IC	Serial No./PIN	Kg	Remarks
010	K5221-44583	LEVER(LINK)	1		<=10586	1.340	
010	K5221-44584	LEVER_LINK	1	>>	>=10587	1.340	
020	K5410-44640	GRIP(LINK)	1			0.006	
030	K5221-44540	PIN(HINGE)	1		<=10586	0.119	
030	K5273-44540	PIN(HINGE)	1	NI	>=10587	0.000	
030	K5273-44542	PIN(HINGE)	1	>>	>=10795	0.000	
040	K5221-44550	SPRING(HINGE PIN)	1		<=10819	0.009	
040	K5221-44552	SPRING(HINGE PIN)	1	>>	>=10820	0.009	
050	75599-52532	PIN,SPRING (7/32*1-5/8)	1		<=10586	0.005	
050	05411-00650	PIN,SPRING	1	NI	>=10587	0.006	
060	K5410-44610	LINK(FRONT)	1			0.790	
070	K5410-44620	LINK(FRONT)	1			1.500	
080	75599-51730	PIN, CLEVIS (5/8 X 1	2			0.100	
090	75599-53194	PIN, COTTER (5/32*1-1	2		<=10819	0.001	
090	05511-50430	PIN,SPLIT	2	>>	>=10820	0.004	
100	02074-50160	NUIT	2			0.029	
110	K1122-91940	LOCKNUT	2		<=10813	0.030	
110	K1122-91942	NUIT (LOCKING,M16*1.5)	2	>>	>=10814	0.030	
120	75599-33017	WASHER,SPRING LOCK(5/8)	2			0.005	



Print Date : 21-04-2020

No.	Part Number	Part Name(ENG)	Qty	Model
110	T0070-31410	TIMER,KEY STOP	1	GR1600EC2