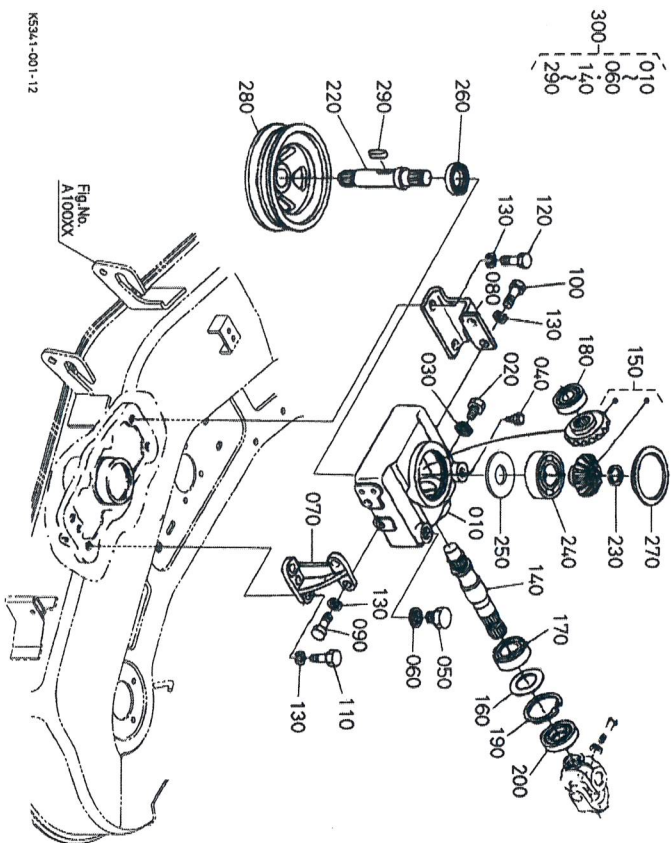


No.	Part Number	Part Name (ENG)	QTY	IC	Serial No./PIN	Kg	Remarks
010	K5371-32030	UNIVERSAL JOINT	1			3.500	
020	76539-31150	YOKE (QUICK)	1			0.550	
030	K5371-31130	YOKE PTO	1			0.480	
040	76539-31140	SHAFT JOINT	1			1.210	
050	76539-31170	YOKE SLEEVE	1			0.650	
060	76539-31180	JOINT ASSY (CROSS)	2			0.200	
070	76539-31210	NIPPLE GREASE	2			0.010	
080	76539-32120	RING SNAP	8			0.003	
090	01123-51035	BOLT SEMS	1			0.025	

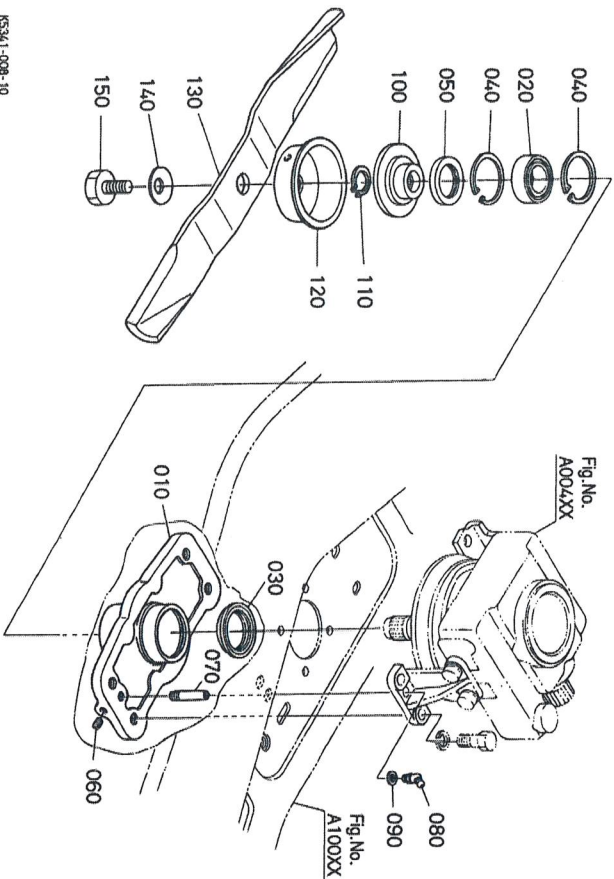


K5341-001-12

No.	Part Number	Part Name (ENG)	QTY	IC	Serial No./PIN	Kg	Remarks
010	K5381-33110	CASE BEVEL GEAR	1			3.760	
020	01153-50812	HEX BOLT	2			0.008	
030	04717-00800	WASHER SEAL	2			0.001	
040	K5761-33250	PLUG,BREATH ER	1		<=10257	0.006	
040	K5761-33252	PLUG,BREATH ER	1	>>	>=10258	0.006	
050	06331-35016	PLUG	1			0.040	
060	04711-00300	PACKING	1			0.001	
070	K5761-33130	STAY BEVEL CASE LH	1			0.440	
080	K5700-33150	STAY CASE RH	1			0.430	
090	K5763-33210	BOLT,REAWER 30	2			0.040	
100	01073-51225	BOLT	2		<=10800	0.035	
110	K5763-33230	BOLT,REAWER	2		<=10801	0.045	
120	01073-51235	HEX BOLT	2			0.045	
130	04512-60120	WASHER SPRING	8			0.005	
140	K5763-33310	SHAFT, PINION	1			0.660	
150	K5762-33320	KIT GEAR BEVEL	1			0.476	16-2TT
160	36330-28420	SHIM 0.2	2			0.002	0.2mm
160	36330-28410	SHIM 0.3	2			0.002	0.3mm
170	08101-06205	BEARING BALL	1			0.120	
180	08101-06304	BEARING BALL	1			0.146	
190	04611-00520	GIR-CLIP INTERNAL	1			0.009	
200	76535-33440	SEAL OIL	1			0.020	
220	K5700-33500	SHAFT BEVEL GEAR	1			0.500	
230	04612-00220	GIR-CLIP EXTERNA L	1			0.001	
240	70712-33550	BEARING BALL	1			0.220	
250	70712-33570	SHIM	1			0.001	0.1mm
250	76539-33410	SHIM	1			0.001	0.2mm
260	K5761-33540	SEAL OIL	1			0.010	
270	7C765-51260	CAP	1			0.070	

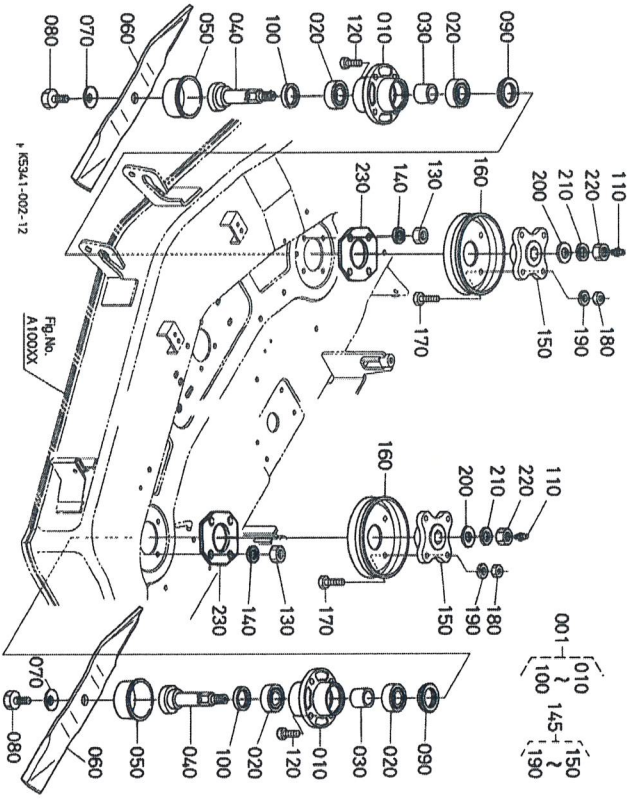
No.	Part Number	Part Name (ENG)	QTY	IC	Serial No./PIN	Kg	Remarks
280	K5371-33520	PULLY,CENTRE R	1			1.780	
290	05712-00728	KEY,FEATHER	1			0.010	
300	K5341-33100	ASSY CASE BEVEL GEAR	1		<=10622	8.250	
300	K5341-33103	ASSY,CASE BEVEL GEAR	1	>>	>=10623	8.250	

No.	Part Number	Part Name(ENG)	Qty	Model
010	K5700-34712	MULTI BELT, 104 POLY	1	RCK48-238X-EU
060	K5182-71940	BLADE 48L-B LOW LIFT K138	2	RCK48-238X-EU
010	K5182-72410	GAUGE WHEEL	2	RCK48-238X-EU
030	K5182-72660	BOSS, GAUGE WHEEL	2	RCK48-238X-EU



No.	Part Number	Part Name (ENG)	QTY	IC	Serial No./PIN	Kg	Remarks
010	K5700-34110	HOLDER, PULLEY	1			2.810	
020	08101-06205	BEARING,BALL	1			0.120	
030	70722-34120	SEAL,OIL	1			0.025	
040	04611-00520	CIR-CLIP,INTERNAL	2			0.009	
050	70725-34162	SEAL,OIL	1			0.024	
060	03410-50608	SCREW,SLOTT ED	1			0.001	
070	K5763-34130	PIPE EXTENSION	1			0.023	
080	K5763-44250	NIPPLE (GREASE,45)	1		<=10800	0.010	
080	K5763-44252	NIPPLE (GREASE,45)	1	>>	>=10801	0.010	
090	K5763-27340	SHIM,ADJUST	1			0.001	
100	K5761-34152	BOSS,SPLINE	1			0.280	
100	K5651-34140	BOSS(SPLINE)	1	=		0.280	
110	04612-00180	CIR-CLIP, EXTERNAL	1			0.001	
120	K5221-71230	COVER,DUST	1			0.112	
130	K5182-71840	BLADE,48L-B LOW LIFT K138	1			0.985	
140	K5112-71330	SPRING,PLATE	1		<=10497	0.040	
140	K5112-71333	SPRING,PLATE	1	>>	>=10498	0.040	
150	K5700-34370	BOLT,BLADE	1		<=10800	0.090	
150	K5700-34375	BOLT (BLADE,M12*1,25)	1	>>	>=10801	0.090	

K5341-008-10



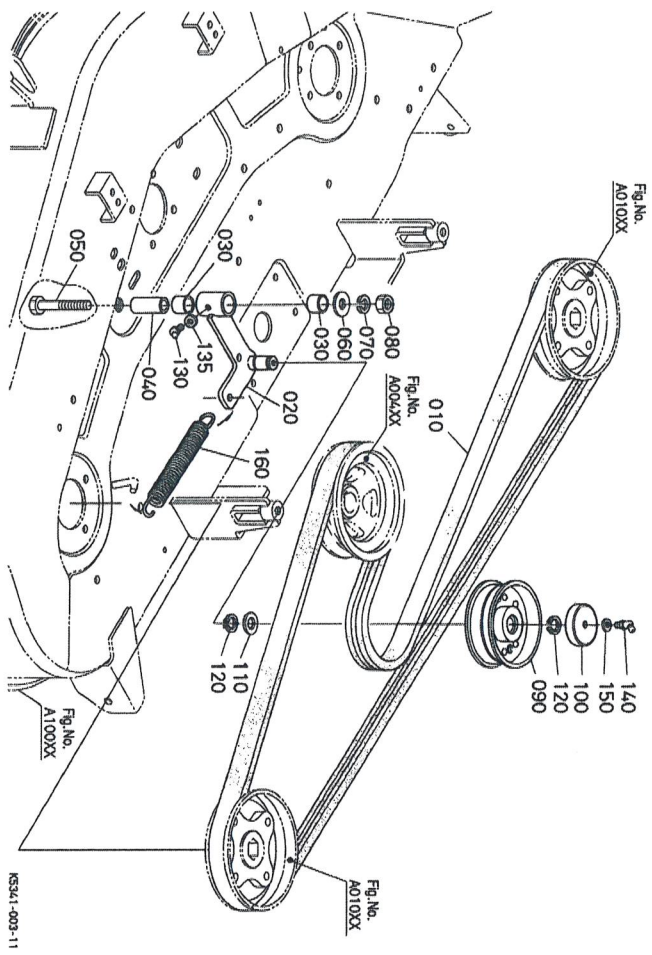
* K5341-002-12

Fig.No. A100XX

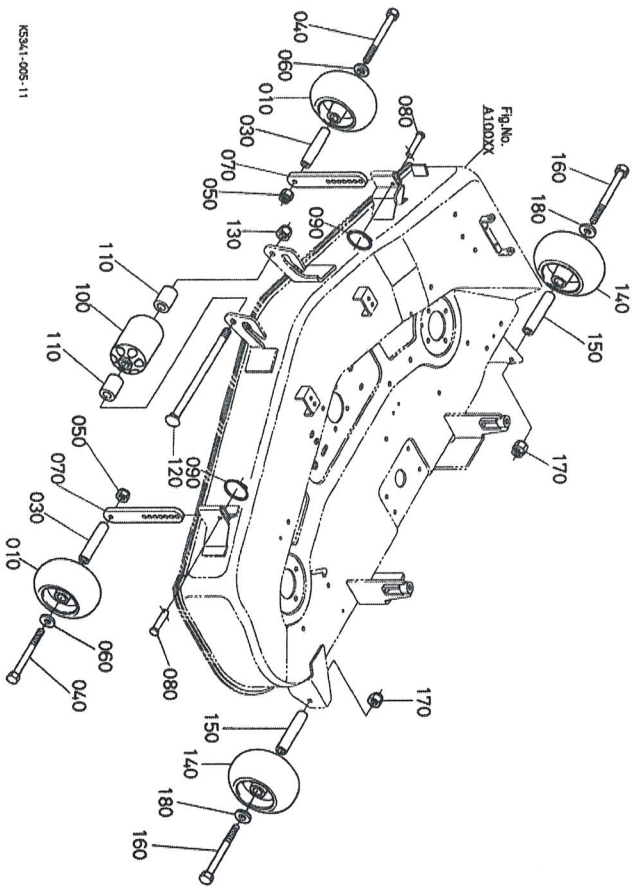
No.	Part Number	Part Name (ENG)	QTY	IC	Serial No./PIN	Kg	Remarks
001	K5700-34502	ASSY, HOLDER PULLEY	2			5.000	
010	K5700-34510	HOLDER (PULLEY SIDE)	2			0.570	
020	08101-06205	BEARING BALL	4			0.120	
030	K5221-71130	COLLAR	2			0.055	
040	K5700-34552	SHAFT(BLADE)	2			0.570	
050	K5221-71230	COVER DUST	2			0.112	
060	K5182-71840	BLADE 48L-B LOW LIFT K138	2			0.985	
070	K5112-71330	SPRING PLATE	2		<=10497	0.040	
070	K5112-71333	SPRING PLATE	2	>>	>=10498	0.040	
080	K5700-34370	BOLT BLADE	1		<=10800	0.090	
080	K5700-34375	BOLT (BLADE M12*1.25)	1	>>	>=10801	0.090	
090	70722-34120	SEAL OIL	2			0.025	
100	70725-34162	SEAL OIL	2			0.024	
110	K1122-15150	NIPPLE (GREASE M6*1.0)	2		<=10800	0.002	M6*1.0
110	K1122-15152	NIPPLE (GREASE M6*1.0)	2	>>	>=10801	0.002	M6*1.0
120	75599-04320	HEX BOLT (3/8-24UNF*1)	8			0.020	3/8-24UNF*1
130	75599-31023	HEX NUT (3/8-24UNF)	8			0.006	3/8-24UNF
140	75599-33013	LOCK WASHER 3/8 PTD	8			0.006	3/8
145	K5381-34590	ASSY PULLEY SIDE	2		<=10626	0.000	ORDER BY REF.No.145 NEW PART
145	K5381-34592	PULLEY ASSY (BLADE S)	2	>>	>=10627	0.000	
150	K5381-34570	BOSS SIDE PULLEY	2			0.000	
160	K5381-34580	PULLEY SIDE	2	>>	>=10627	0.000	ORDER BY REF.No.160 NEW PART
170	01153-50825	HEX BOLT	8			0.012	
180	02054-50080	HEX NUT	8			0.005	
190	75599-33012	WASHER SPRING LOCK (5/16)	8			0.002	5/16

No.	Part Number	Part Name (ENG)	QTY	IC	Serial No./PIN	Kg	Remarks
200	04013-50180	WASHER,PLAI N	2			0.015	
210	04512-60180	WASHER,SPRI NG	2			0.020	
220	02074-50180	NUT	2			0.043	
230	K5112-72810	PLATE, HOLDER PULLEY	2			0.170	

No.	Part Number	Part Name(ENG)	Qty	Model
010	K5700-34712	MUFTI BELT, 104 POLY	1	RCK48-23BX-EU
060	K5182-71840	BLADE,48L-B LOW LIFT K138	2	RCK48-23BX-EU
010	K5182-72410	GAUGE WHEEL	2	RCK48-23BX-EU
030	K5182-72660	BOSS, GAUGE WHEEL	2	RCK48-23BX-EU



No.	Part Number	Part Name (ENG)	QTY	IC	Serial No./PIN	Kg	Remarks
010	K5700-34710	MULTI BELT, 104 POLY	1		<=10460	0.790	
010	K5700-34712	MULTI BELT, 104 POLY	1	>>	>=10461	0.790	
020	K5700-34730	ARM, TENSION	1			0.460	
030	K5651-20150	BUSHING, TENSION #12KU10	2			0.017	
040	K5651-34780	COLLAR (TENSION)	1			0.055	
050	01073-51270	BOLT	1			0.060	
060	75599-32015	WASHER, PLAIN (1/2)	1			0.010	
070	04512-50120	WASHER, SPRING	1			0.005	
080	02074-50120	NUT	1			0.015	
090	K5651-34880	PULLEY, TENSION	1			0.550	
100	K5651-34790	COVER, TENSION	1			0.020	
110	K5651-34800	SEAL (BEARING)	1	<=10800		0.001	
110	K5651-34802	SEAL (BEARING)	1	>>	>=10801	0.001	
120	04612-00170	CLIP, EXTERNAL	2			0.001	
130	K5763-44250	NIPPLE (GREASE, 45)	1	<=10800		0.010	
130	K5763-44252	NIPPLE (GREASE, 45)	1	>>	>=10801	0.010	
135	K5763-27340	SHIM, ADJUST	1			0.001	
140	K5763-12100	NIPPLE (GREASE, 45)	1	<=10800		0.007	
140	K5763-12102	NIPPLE (GREASE, 45)	1	>>	>=10801	0.007	
150	K5763-27350	SHIM, ADJUST (M8)	1			0.001	
160	K5700-34750	SPRING, TENSION	1	<=10800		0.120	
160	K5700-34752	SPRING (TENSION)	1	>>	>=10801	0.120	



KS341-005-11

No.	Part Number	Part Name (ENG)	QTY	IC	Serial No./PIN	Kg	Remarks
010	K5182-72410	GAUGE WHEEL	2			0.460	
030	K5182-72660	BOSS, GAUGE WHEEL	2			0.060	
040	01053-50890	HEX BOLT	2			0.030	
050	K5112-72840	HEX LOCKNUT (M8*1.25)	2		<=10800	0.005	
050	K5112-72842	HEX (LOCKNUT,M8*1.25)	2	>>	>=10801	0.005	
060	K5112-72830	WASHER,PLAI N	2		<=10800	0.005	
060	K5112-72832	WASHER (PLAIN)	2	>>	>=10801	0.005	
070	K5122-72680	PLATE GAUGE WHEEL	2		<=10800	0.360	
070	K5122-72683	PLATE(GAUGE WHEEL)	2	>>	>=10801	0.360	
080	75599-51320	PIN,CL EVIS (3/8*1)	2			0.017	
090	K5112-72730	RING,SNAP	2		<=10800	0.010	
090	K5112-72733	RING(SNAP)	2	>>	>=10801	0.010	
100	K5112-72420	ROLLER(ANTI-SCALP)	1			0.150	
110	K5371-44310	COLLAR,WHEE L	2		<=10800	0.045	
110	K5371-44312	COLLAR (WHEEL,2.5)	2	>>	>=10801	0.045	
120	K5221-72650	BOLT, GAUGE	1		<=10800	0.250	
120	K5221-72652	BOLT(GAUGE,2 -2.5)	1	>>	>=10801	0.250	
130	02572-50120	NUT, LOCKING	1			0.014	
140	K5182-72410	GAUGE WHEEL	2			0.460	
150	K5182-72660	BOSS, GAUGE WHEEL	2			0.060	
160	01053-50890	HEX BOLT	2			0.030	
170	K5112-72840	HEX LOCKNUT (M8*1.25)	2		<=10800	0.005	
170	K5112-72842	HEX (LOCKNUT,M8*1.25)	2	>>	>=10801	0.005	
180	K5112-72830	WASHER,PLAI N	2		<=10800	0.005	

BKIDA0339 >> RCK48-238X-EU >> MOWER >> A10301 GAUGE WHEEL

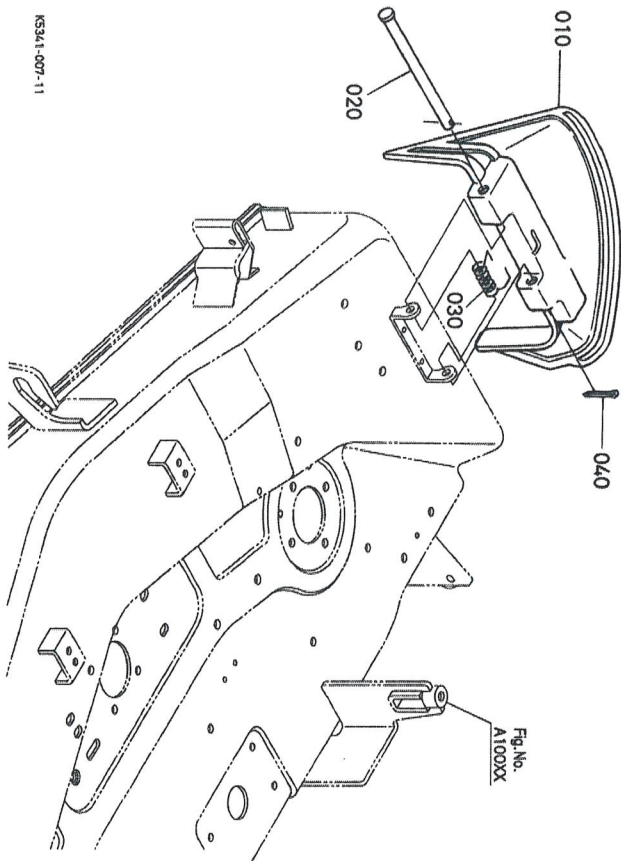
Update Date : 25-07-2019 Print Date : 20-05-2020

No.	Part Number	Part Name (ENG)	QTY	IC	Serial No./PIN	Kg	Remarks
180	K5112-72832	WASHER (PLAIN)	2	>>	>=10801	0.005	

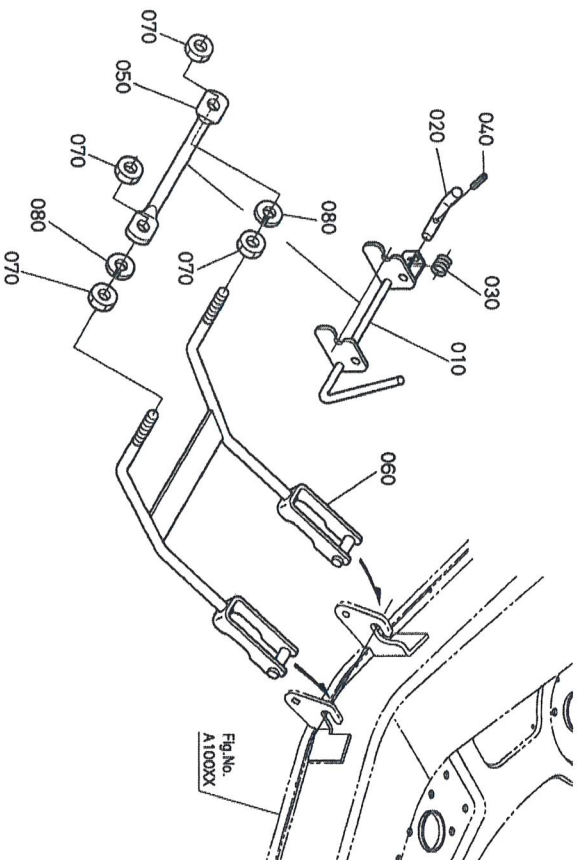
Print Date : 20-05-2020

No.	Part Number	Part Name(ENG)	Qty	Model
010	K5700-34712	MULTI BELT, 104 POLY	1	RCK48-238X-EU
060	K5182-71840	BLADE,48L,BLOW LIFT KT38	2	RCK48-238X-EU
010	K5182-72410	GAUGE WHEEL	2	RCK48-238X-EU
030	K5182-72660	BOSS, GAUGE WHEEL	2	RCK48-238X-EU

No.	Part Number	Part Name (ENG)	QTY	IC	Serial No./PIN	Kg	Remarks
010	K5182-72112	DISCHARGE COVER	1			0.720	
020	K5112-72120	PIN,COVER	1		<=10626	0.090	
020	K5112-72122	PIN,COVER	1	>>	>=10627	0.090	
030	K5112-72130	SPRING (COVER)	1		<=10800	0.050	
030	K5112-72132	SPRING (COVER)	1	>>	>=10801	0.050	
040	75599-53152	PIN,COTTER (3/32-3/4)	1			0.001	3/32*3/4



K5341-007-11



K5362-008-11

No.	Part Number	Part Name (ENG)	QTY	IC	Serial No./PIN	Kg	Remarks
010	K5371-44583	LEVER LINK	1			0.000	
020	K5763-44540	PIN,FRONT	1		<=10800	0.160	
020	K5763-44542	PIN,FRONT	1	>>	>=10801	0.160	
030	K5763-44560	SPRING,PIN FRONT	1		<<=10800	0.010	
030	K5763-44562	SPRING(PIN FRONT)	1	>>	>=10801	0.010	
040	75599-52532	PIN,SPRING (7/32"-15/8)	1			0.005	7/32"15/8
050	K5371-44610	LINK,FRONT 1	1			0.560	
060	K5381-44622	LINK,FRONT 2	1			0.000	
070	02074-50160	NUT	4			0.029	
080	75599-33017	LOCKWASHER 5/8" PTD	2			0.005	