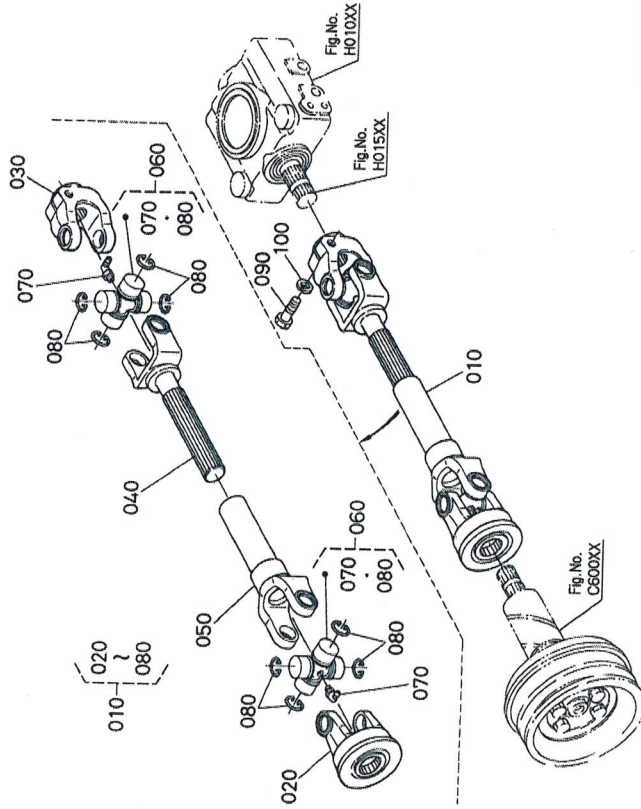
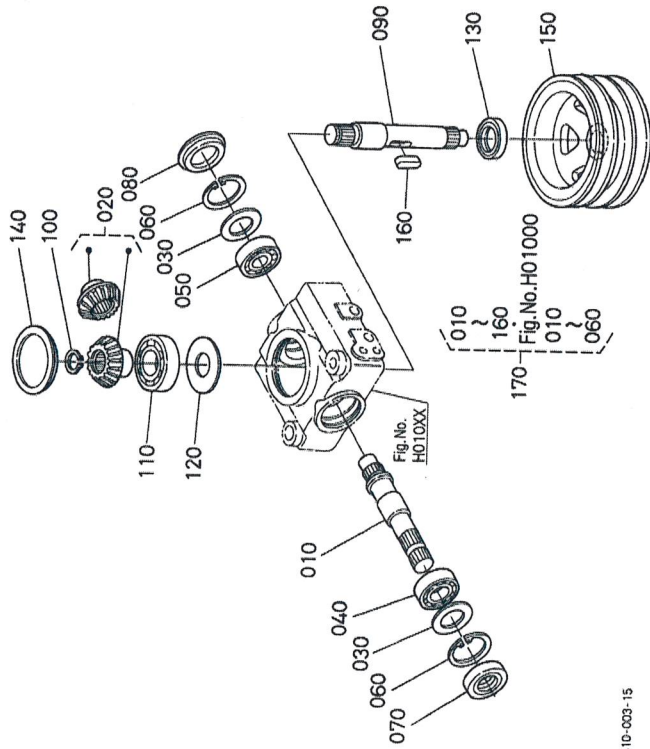


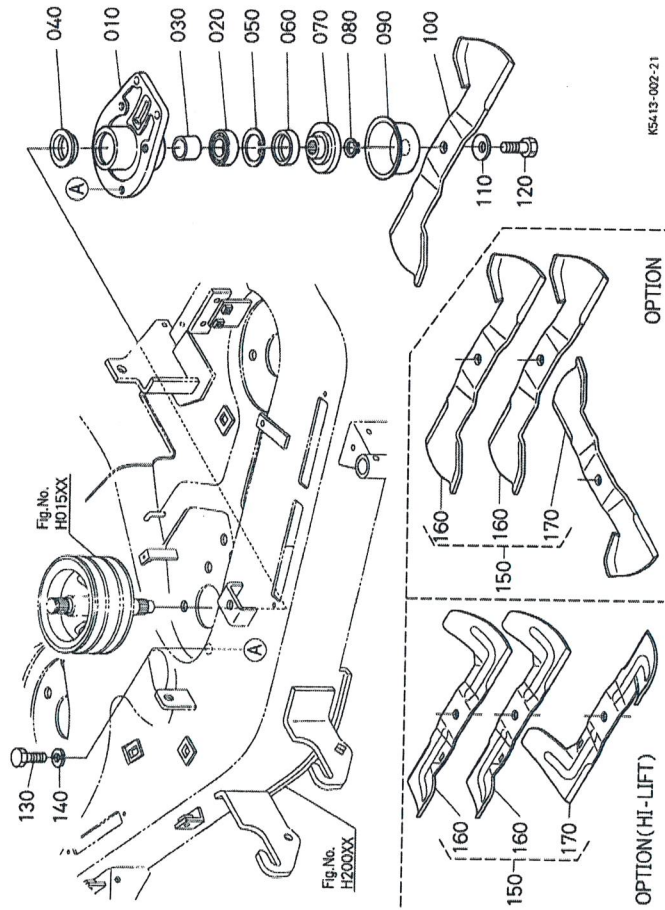
No.	Part Number	Part Name (ENG)	QTY	IC	Serial No./PIN	Kg	Remarks
010	K5410-32030	JOINT,UNIV,ASY	1			3.000	
020	76539-31150	YOKE(QUICK)	1			0.550	
030	KS371-31130	YOKE(PTO)	1			0.480	
040	76505-31190	SHAFT(JOINT)	1			0.900	
050	76505-31200	YOKE(JOINT)	1			0.600	
060	76539-31180	JOINT,ASSY (CROSS)	2			0.200	
070	76539-31210	NIPPLE,GREASE	2			0.010	
080	76539-32120	CIRCLIP	8			0.003	
090	01153-51035	HEX,BOLT	1			0.025	
100	04512-50100	WASHER,SPRING LOCK	1			0.003	



No.	Part Number	Part Name (ENG)	QTY	IC	Serial No./PIN	Kg	Remarks
010	K5763-33310	SHAFT(PINION)	1			0.660	
020	K5762-33320	GEAR,BEVEL,KIT	1			0.476	16-21T
030	36330-28420	SHIM	2			0.002	0.20mm
030	36330-28410	SHIM	2			0.002	0.30mm
040	08101-06205	BEARING,BALL	1			0.120	
050	08101-06304	BRG.BALL	1			0.146	
060	04611-00520	CIR-CLIP,INTERNAL	2			0.009	
070	76535-33440	SEAL,OIL	1			0.020	
080	63313-32270	CAP	1			0.030	
090	K5410-71270	SHAFT,BVL GEAR	1			0.650	
100	04612-00220	CIR-CLIP,EXTERNAL	1			0.001	
110	70712-33550	BRG.BALL	1			0.220	
120	70712-33570	SHIM	1			0.001	0.10mm
120	76539-33410	SHIM	1			0.001	0.20mm
130	K5761-33540	SEAL,OIL	1			0.010	
140	7C785-51260	CAP	1			0.070	
150	K5410-71240	PULLEY(BLADE CENTER)	1			2.820	
160	05712-00728	KEY,FEATHER	1			0.010	
170	K5410-71050	CASE,BVL GEAR,ASSY	1			8.500	

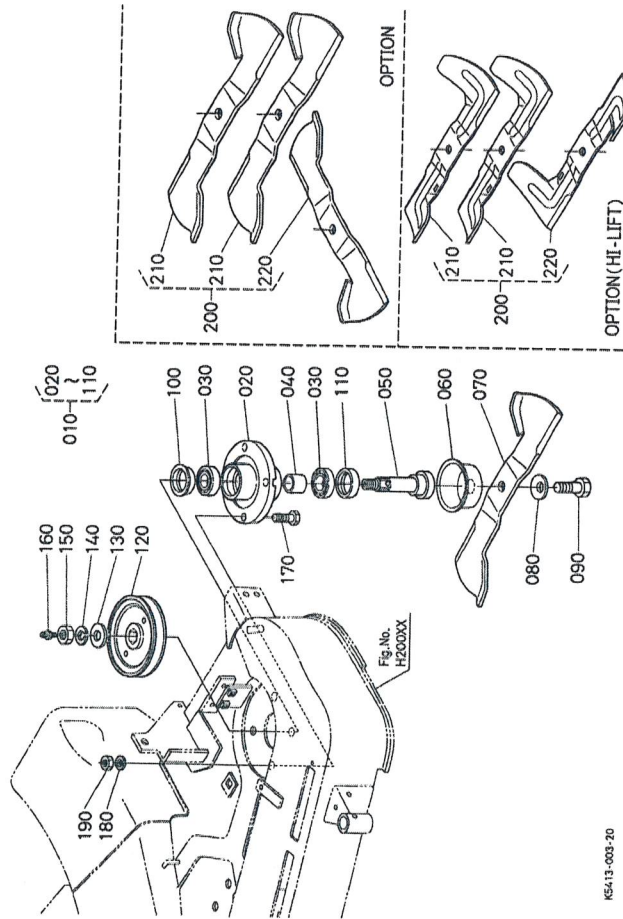


K5410-003-15



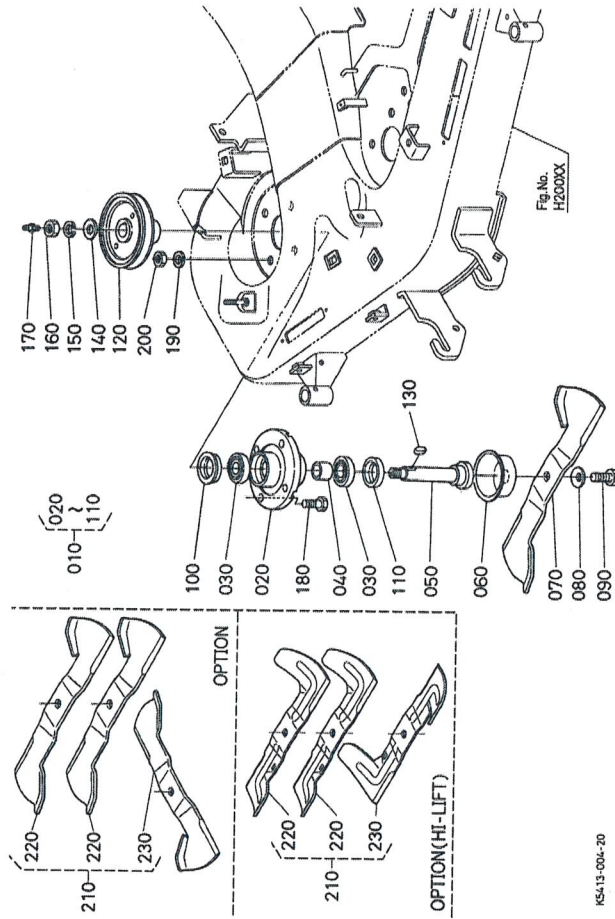
No.	Part Number	Part Name (ENG)	QTY	IC	Serial No./PIN	Kg	Remarks
010	K5410-71210	HOLDER (PULLEY CENTER)	1			2.720	
020	08101-06205	BEARING BALL	1			0.120	
030	K5410-71130	COLLAR (CENTER)	1			0.070	
040	70722-34120	SEAL OIL	1			0.025	
050	04611-00520	CIR-CLIP, INTERNAL	1			0.009	
060	70725-34162	SEAL OIL	1			0.024	
070	K5761-34152	BOSS(SPLINE)	1			0.280	
080	04612-00180	CIR-CLIP, EXTERNAL	1			0.001	
090	K5221-71230	COVER(DUST)	1			0.112	
100	K5410-71840	BLADE(1)	1			1.490	
110	K5112-71331	SPRING, LEAF	1		<=>23611	0.000	
110	K5112-71333	SPRING, DISC	1	>>	>=>23612	0.040	
120	01176-51230	HEX BOLT	1			0.030	
130	01073-51225	BOLT	4			0.035	
140	04512-50120	WASHER, SPRING LOCK	4			0.003	
150	K5410-97520	BLADE, KIT	1			4.500	OPTION
150	K5413-95850	BLADE, KIT (HI-LIFT)	1			5.400	OPTION (HI-LIFT)
160	K5410-71840	BLADE(1)	2			1.490	OPTION
160	K5413-95810	BLADE (LH)	2			2.000	OPTION (HI-LIFT)
170	K5410-71850	BLADE(2)	1			1.500	OPTION
170	K5413-95820	BLADE (RH)	1			1.682	OPTION (HI-LIFT)

No.	Part Number	Part Name (ENG)	QTY	IC	Sental No./PIN	Kg	Remarks
010	K5410-71150	HOLDER,ASSY (PULLEY L)	1			4.100	
020	K5221-71210	HOLDER (PULLEY)	1			1.000	
030	08101-06205	BEARING,BALL	2			0.120	
040	K5221-71130	COLLAR	1			0.055	
050	K5221-71222	SHAFT(BLADE)	1			0.570	
060	K5221-71230	COVER(DUST)	1			0.112	
070	K5410-71840	BLADE(1)	1			1.490	
080	K5112-71331	SPRING,LEAF	1		<=23611	0.000	
080	K5112-71333	SPRING,DISC	1	>>	>=23612	0.040	
090	01176-51230	HEX,BOLT	1			0.030	
100	70722-34120	SEAL,OIL	1			0.025	
110	70725-34162	SEAL,OIL	1			0.024	
120	K5221-71140	PULLEY(BLADE SIDE)	1			0.741	
130	04013-50180	WASHER,PLAIN	1			0.015	
140	04512-50180	WASHER,SPRING LOCK	1			0.015	
150	02074-50180	NUT	1			0.043	
160	K1122-15150	NIPPLE,GREASE	1			0.002	
170	01073-51225	BOLT	4			0.035	
180	04512-50120	WASHER,SPRING LOCK	4			0.003	
190	02074-50120	NUT	4			0.015	
200	K5410-97520	BLADE,KIT	1			4.500	OPTION
200	K5413-95850	BLADE,KIT(HI-LIFT)	1			5.400	OPTION(HI-LIFT)
210	K5410-71840	BLADE(1)	2			1.490	OPTION
210	K5413-95810	BLADE(LH)	2			2.000	OPTION(HI-LIFT)
220	K5410-71850	BLADE(2)	1			1.500	OPTION
220	K5413-95820	BLADE(RH)	1			1.682	OPTION(HI-LIFT)



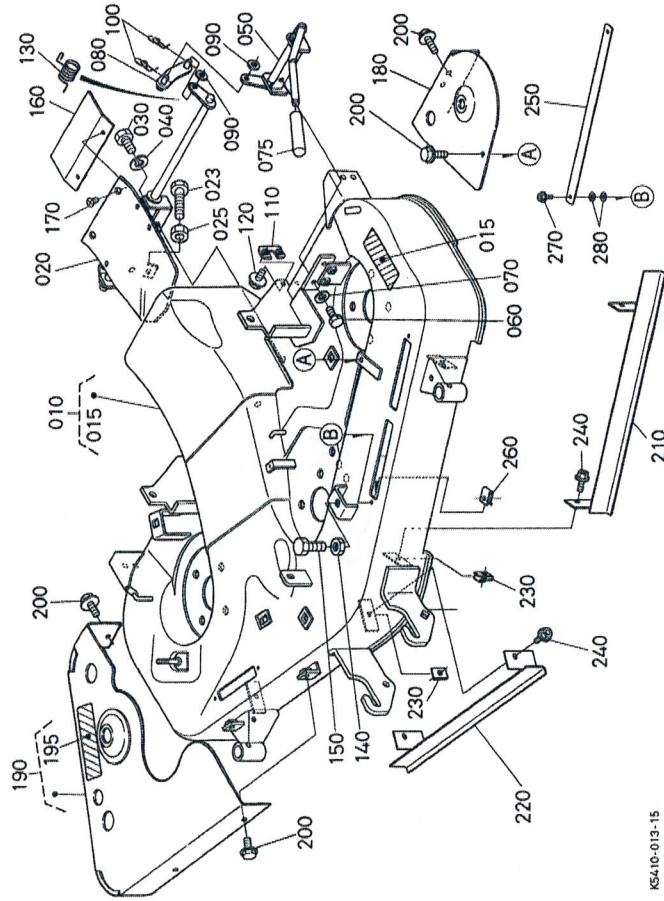
K5413-003-20

No.	Part Number	Part Name (ENG)	QTY	IC	Serial No./PIN	Kg	Remarks
010	K5410-71170	HOLDER,ASSY (PULLEY R)	1			4.300	
020	K5221-71210	HOLDER (PULLEY)	1			1.000	
030	08101-06205	BEARING,BALL	2			0.120	
040	K5221-71130	COLLAR	1			0.055	
050	K5410-71220	SHAFT(BLADE RH)	1			0.740	
060	K5221-71230	COVER(DUST)	1			0.112	
070	K5410-71850	BLADE(2)	1			1.500	
080	K5112-71331	SPRING,LEAF	1		<=21611	0.000	
080	K5112-71333	SPRING,DISC	1	>>	>=21612	0.040	
090	K5410-71890	BOLT(LH)	1			0.050	
100	70722-34120	SEAL,OIL	1			0.025	
110	70725-34162	SEAL,OIL	1			0.024	
120	K5410-71140	PULLEY(BLADE RH)	1			1.070	
130	05712-00722	KEY,FEATHER	1			0.009	
140	K5651-34560	WASHER,PLAIN	1			0.024	
150	04512-50160	WASHER,SPRING LOCK	1			0.010	
160	02074-50160	NUT	1			0.029	
170	K1122-15150	NIPPLE,GREASE	1			0.002	
180	01073-51225	BOLT	4			0.035	
190	04512-50120	WASHER,SPRING LOCK	4			0.003	
200	02074-50120	NUT	4			0.015	
210	K5410-97520	BLADE,KIT	1			4.500	OPTION
210	K5413-95850	BLADE,KIT(HI-LIFT)	1			5.400	OPTION(HI-LIFT)
220	K5410-71840	BLADE(1)	2			1.490	OPTION
220	K5413-95810	BLADE(LH)	2			2.000	OPTION(HI-LIFT)
230	K5410-71850	BLADE(2)	1			1.500	OPTION
230	K5413-95820	BLADE(RH)	1			1.682	OPTION(HI-LIFT)



K5413-004-20

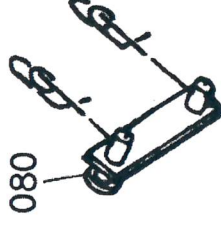
No.	Part Number	Part Name (ENG)	QTY	IC	Serial No./PIN	Kg	Remarks
010	K5413-97121	DECK,KIT (MOWER EC)	1		<=15749	0.000	
010	K5413-97123	DECK (MOWER,KIT EC)	1	>>	>=15750	73.000	
010	K5413-97124	DECK (MOWER,KIT EC)	1	>>	>=23855	73.000	
015	K5410-73111	LABEL (WARNING 1)	1		<=15749	0.000	
015	K5254-73110	LABEL (WARNING)	1	NI	>=15750	0.000	
020	K5413-71190	PLATE,COMP (ROTATORY)	1			2.950	
023	01155-50840	HEX,BOLT	1			0.020	
025	02052-50080	HEX,NUT	1			0.004	
030	01053-51020	HEX,BOLT	2			0.020	
040	04512-50100	WASHER,SPRING LOCK	2			0.003	
050	K5410-71181	LEVER,COMP (MOWER)	1		<=14860	0.000	
050	K5410-71184	LEVER,COMP (MOWER)	1	>>	>=14861	0.833	
060	01053-50818	HEX,BOLT	2			0.011	
070	75599-33012	WASHER,SPRING	2			0.002	
075	K5410-71310	GRIP(MOWER)	1			0.009	
080	K5410-71281	PLATE(MOWER LEVER)	1		<=14860	0.000	
080	K5410-71284	PLATE(MOWER LEVER)	1	>>	>=14861	0.065	
090	75599-32012	WASHER,PLAIN(S16)	2			0.002	
100	K1211-91120	PIN,SNAP(RUE RING)	2			0.001	
110	K5410-71290	RETAINER (SHAFT)	1			0.040	
120	01754-50620	BOLT,FLANGE	2			0.007	
130	K5410-71360	SPRING (LEVER)	1		<=20735	0.050	ORDER BY REF.No.130 NEW PART.
130	K5413-71360	SPRING (RETURN)	1	>>	>=20736	0.000	
140	02014-50100	NUT	1			0.011	



K5410-013-15

No.	Part Number	Part Name (ENG)	QTY	IC	Serial No./PIN	Kg	Remarks
150	01053-51055	BOLT	1			0.040	
160	K5413-71110	PLATE (ROTATION)	1			0.526	
170	K5410-91710	SCREW,CTSK HD	2			0.008	
180	K5410-72620	COVER(LEFT)	1			0.600	
190	K5410-97141	COVER,KIT (RIGHT EC)	1		<=15749	0.000	
190	K5410-97142	COVER,KIT(RH)	1	>>	>=15750	2.025	
195	K5410-73111	LABEL (WARNING 1)	1		<=15749	0.000	
195	K5254-73110	LABEL (WARNING)	1	NI	>=15750	0.000	
200	01754-50816	BOLT,FLANGE	6			0.011	
210	K5413-72640	COVER(FRONT LH)	1			0.850	
220	K5413-72650	COVER(FRONT RH)	1			0.850	
230	K1122-91810	NUT(SPRING)	4			0.010	
240	01754-50820	BOLT,FLANGE	4			0.015	
250	K5413-72660	COVER(UPPER LH)	1			0.200	
260	K1122-91800	NAT(SPRING)	2			0.004	
270	01754-50616	BOLT,FLANGE	2			0.006	
280	04015-50060	WASHER,PLAI N	4			0.006	

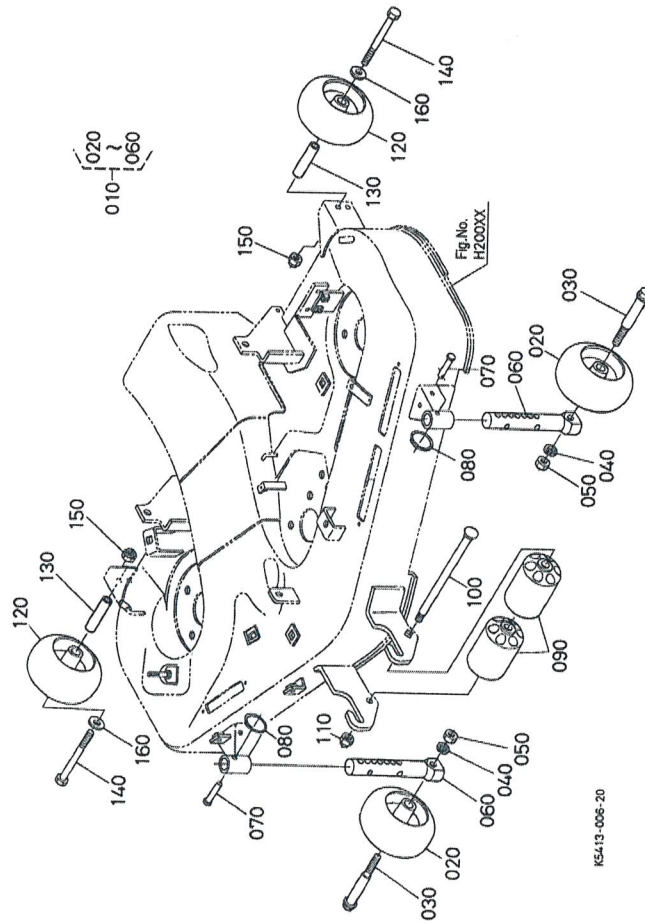
OLD

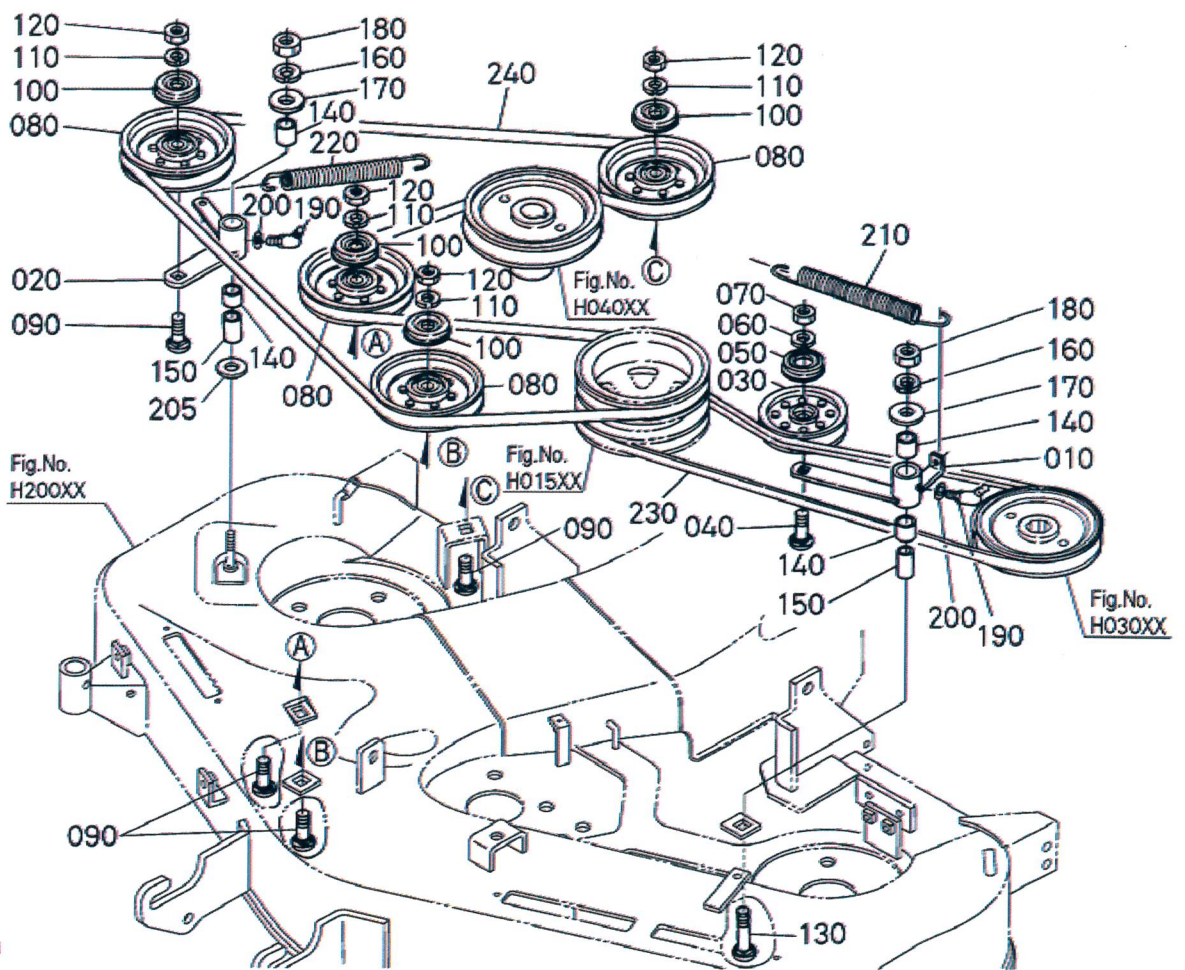


K5410-805-11

No.	Part Number	Part Name (ENG)	QTY	IC	Serial No./PIN	Kg	Remarks
080	K5410-71281	PLATE(MOWER LEVER)	1		<=14860	0.000	
080	K5410-71284	PLATE(MOWER LEVER)	1	>>	>=14861	0.065	
130	K5410-71360	SPRING (LEVER)	1		<=20735	0.050	ORDER BY REF.No.130 NEW PART.
130	K5413-71360	SPRING (RETURN)	1	>>	>=20736	0.000	

No.	Part Number	Part Name (ENG)	QTY	IC	Serial No./PIN	Kg	Remarks
010	K5410-72600	WHEEL,ASSY (GAUGE)	2			1.000	
020	K5371-42110	WHEEL (GAUGE)	2			0.460	
030	K5221-72670	BOLT (SHOULDER)	2			0.150	
040	04512-50100	WASHER,SPRING LOCK	2			0.003	
050	02014-50100	NUT	2			0.011	
060	K5221-72680	PIN(GAUGE WHEEL)	2			0.650	
070	75599-51235	PIN,CLEVIS	2			0.030	
080	K5112-72730	CIRCLIP	2			0.010	
090	K5112-72420	ROLLER(ANTI-SCALP)	2			0.150	
100	K5221-72650	BOLT(GAUGE)	1			0.250	
110	02572-50120	NUT,LOCKING	1			0.014	
120	K5371-42110	WHEEL (GAUGE)	2			0.460	
130	K5182-72660	BOSS(GAUGE WHEEL)	2			0.060	
140	01053-50890	HEX.BOLT	2			0.030	
150	K5112-72840	LOCKNUT (M8*1,25)	2			0.005	
160	K5112-72830	WASHER,PLAIN	2			0.005	





K5413-005-21

No.	Part Number	Part Name (ENG)	QTY	IC	Serial No./PIN	Kg	Remarks
010	K5410-71550	ARM,TENSION (LH)	1			0.280	
020	K5413-71560	ARM,TENSION (RH)	1			0.310	
030	K5112-71650	PULLEY,TENSION	1			0.530	
040	0Y169-50628	BOLT,SQ NECK	1			0.032	
050	K5112-71660	COVER (TENSION)	1			0.018	
060	75599-33013	WASHER,SPRING	1			0.006	
070	75599-31023	HEX.NUT(3/8-24UNF)	1			0.006	
080	K1221-26540	PULLEY(IDLER)	4			0.490	
090	0Y169-50828	BOLT,SQ NECK	4			0.060	
100	K5410-71660	COVER (TENSION)	4			0.017	
110	75599-33015	WASHER,SPRING	4			0.006	
120	75599-31025	NUT(1/2-20UNF)	4			0.015	
130	K5410-91590	BOLT,SQ NECK	1			0.060	
140	K5651-20150	BUSHING (TENSION)	4			0.017	
150	K5651-34780	COLLAR (TENSION)	2			0.055	
160	04512-50120	WASHER,SPRING LOCK	2			0.003	
170	75599-32015	WASHER,PLAIN(1/2)	2			0.010	
180	02054-50120	NUT	2			0.018	
190	K5763-44250	NIPPLE,GREASE(45°)	2			0.010	
200	K5763-27340	SHIM(ADJUST)	2			0.001	
205	75599-32115	WASHER,PLAIN(1/2W)	1			0.020	
210	K5112-72740	SPRING (TENSION)	1			0.120	
220	K5700-34750	SPRING (TENSION)	1			0.120	

BKIDK5015 >> RCK48G18-PRO(G21) >> MOWER >> H10000 TENSION PULLEY/MOWER BELT

Update Date : 25-05-2016 Print Date : 17-04-2020

No.	Part Number	Part Name (ENG)	QTY	IC	Serial No./PIN	Kg	Remarks
230	K5410-71410	BELT(MOWER LH)	1			0.200	
240	K5410-71420	BELT(MOWER RH)	1			0.640	