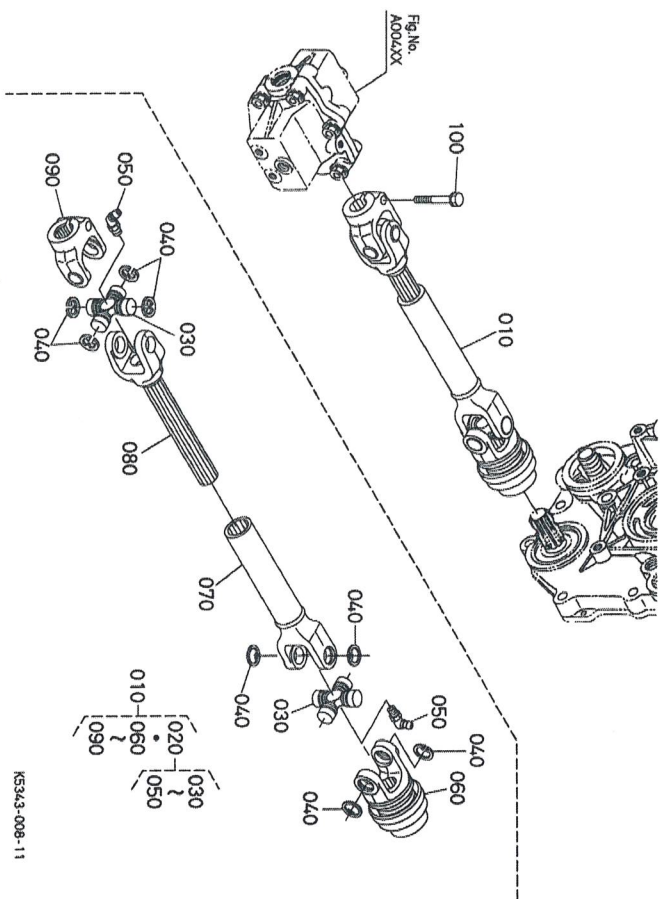


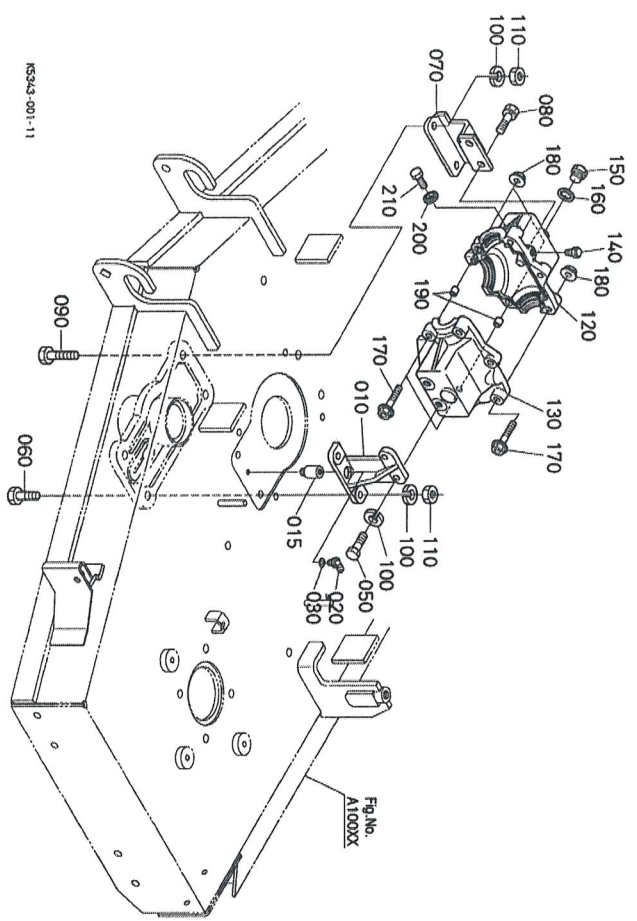
K5343-008-10

No.	Part Number	Part Name (ENG)	QTY	IC	Serial No./PIN	Kg	Remarks
010	K5371-32030	UNIVERSAL JOINT	1			3.500	
020	76539-31150	YOKE(QUICK)	1			0.550	
030	K5371-31130	YOKE PTO	1			0.480	
040	76553-31140	SHAFT JOINT	1			1.210	
050	76539-31170	YOKE SLEEVE	1			0.650	
060	76539-31180	JOINT ASSY (CROSS)	2			0.200	
070	76539-31210	NIPPLE GREASE	2			0.010	
080	76539-32120	RING SNAP	8			0.003	
090	01123-51035	BOLT SEMS	1			0.025	



K5343-008-11

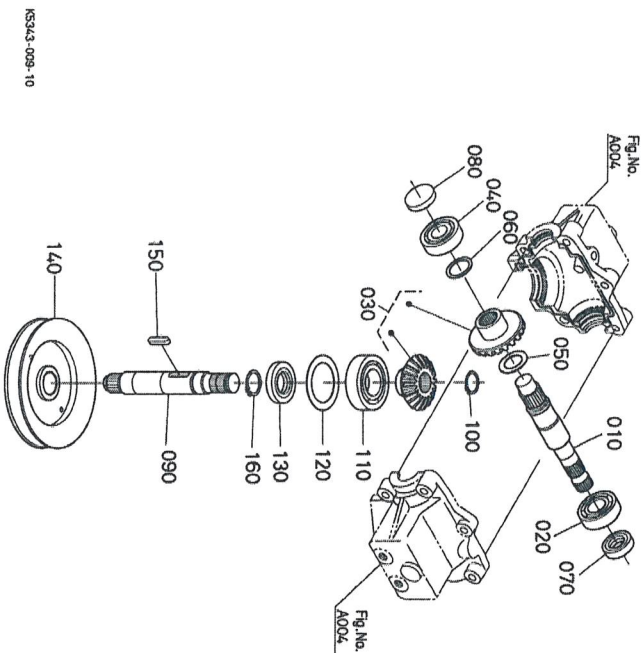
No.	Part Number	Part Name (ENG)	QTY	IC	Serial No./PIN	Kg	Remarks
010	K5381-32030	JOINT,UNIV,ASSY	1			3.350	
020	K5646-31180	ASSY JOINT,CROSS	2			0.250	
030	K5646-31220	JOINT,CROSS	2			0.235	
040	K5646-32120	RING,SNAP	8			0.001	
050	70720-31212	NIPPLE,GREASE	2			0.006	
050	H6660-99100	NIPPLE,GREASE	2	>>		0.006	
060	K5646-31150	YOKE,QUICK	1			0.550	
070	K5381-31160	YOKE(SLEEVE)	1			0.767	
080	K5381-31140	YOKE(SHAFT)	1			1.151	
090	K5646-31130	YOKE,PTO	1			0.400	
100	01123-51035	BOLT,SEMS	1			0.025	



No.	Part Number	Part Name (ENG)	QTY	IC	Serial No./PIN	Kg	Remarks
010	K5343-33130	STAY,BEVEL CASE LH	1			0.000	
015	K5343-34130	PIPE,EXTENSION	1		<=20008	0.000	
015	K5343-34132	PIPE (EXTENSION)	1	>>	>=20009	0.000	
020	K5763-44250	NIPPLE,GREASE (E45)	1		<=10302	0.010	45DEG.
020	K5763-44252	NIPPLE (GREASE,45)	1	>>	>=10303	0.010	45DEG.
030	K5763-27340	SHIM,ADJUST	1			0.001	
050	K5617-33220	REAMER BOLT	2			0.023	M10.30
060	K5617-33230	REAMER BOLT	2			0.031	M10.35
070	K5343-33150	STAY,BEVEL CASE RH	1			0.000	
080	01123-51025	BOLT,SEMS	2			0.020	
090	01173-51040	HEX,BOLT	2			0.028	
100	04512-50100	WASHER,SPRING LOCK	6			0.003	
110	02118-50100	HEX,NUT	4			0.005	
120	K5243-33112	CASE,BEVEL GEAR RH	1			0.450	
130	K5243-33133	CASE,BAVEL LEFT	1			0.450	
140	K5761-33250	PLUG (BREATHER)	1		<=10034	0.006	
140	K5761-33252	PLUG,BREATHER	1	>>	>=10035	0.006	
150	06331-35016	PLUG	1			0.040	
160	04724-00160	PACKING	1			0.003	
170	01754-50840	BOLT,FLANGE	5			0.020	
180	02751-50080	NUT,FLANGE	5			0.006	
190	08511-00810	BUSH	2			0.003	
200	04717-00800	WASHER,SEAL	1			0.001	
210	01153-50812	HEX,BOLT	1			0.008	

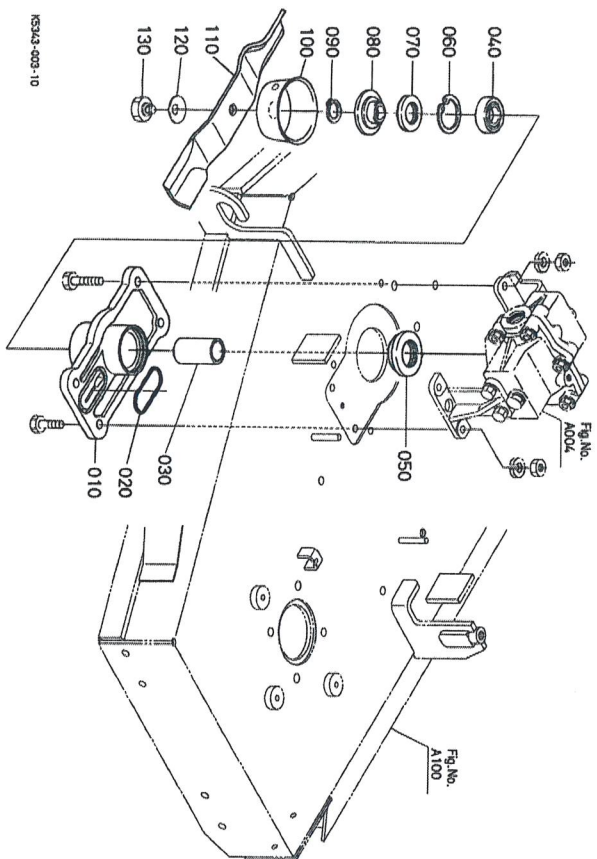
Print Date : 20-05-2020

No.	Part Number	Part Name(ENG)	Qty	Model
160	K5763-34753	SPRING(TENSION)	1	ROK48R-23BX-EU
170	K5343-34340	BLADE	2	ROK48R-23BX-EU
190	K5700-34375	BOLT(BLADE,M12*1.25)	2	ROK48R-23BX-EU
160	K5617-34312	COVER,DUST	2	ROK48R-23BX-EU
110	01053-50890	HEX BOLT	2	ROK48R-23BX-EU
100	K5182-72660	BOSS, GAUGE WHEEL	2	ROK48R-23BX-EU



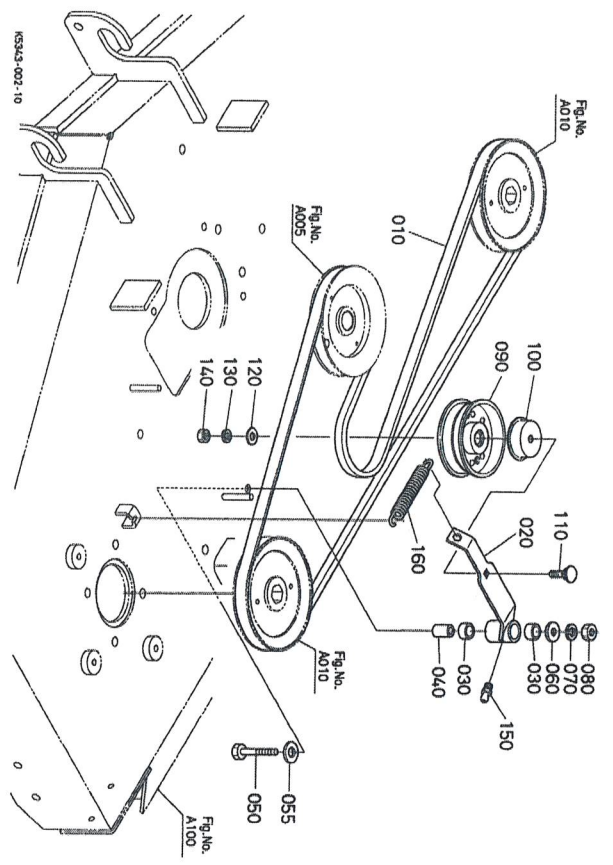
No.	Part Number	Part Name (ENG)	QTY	IC	Serial No./PIN	Kg	Remarks
010	K5362-33310	SHAFT,INPUT	1			0.670	
020	67910-14230	BEARING,BALL	1			0.084	
030	K5575-33370	KIT GEAR,BEVEL	1			0.400	
040	08101-06204	BEARING,BALL	1			0.102	
050	13621-16720	SHIM,CAMSHA FT	1			0.001	0.20mm
050	13621-16640	SHIM,CAMSHA FT	1			0.001	0.30mm
060	13621-23720	SHIM,CRANKS HAFT	1			0.001	0.20mm
060	13621-23640	SHIM,CRANKS HAFT	1			0.002	0.30mm
070	09500-25357	SEAL,OIL	1			0.006	
080	31351-16610	PLUG	1		<=10176	0.015	
080	41071-41140	PLUG	1	>>	=>10177	0.013	
090	K5617-33503	SHAFT,BEVEL GEAR	1			0.600	
100	04612-00220	CLR,EXTERNA L	1			0.001	
110	08101-06206	BEARING,BALL	1			0.181	
120	66621-15240	SHIM,DIFF.GEA R SHAF.	1			0.001	0.20mm
120	67211-14990	SHIM,DIFF.GEA R SHAF.	1			0.002	0.30mm
130	09500-25457	SEAL,OIL	1			0.020	
140	K5617-33530	PULLEY,CENTE R	1			0.920	
150	05712-00728	KEY,FEATHER	1			0.010	
160	04612-00250	CLR,EXTERNA L	1			0.002	

K5343-009-10

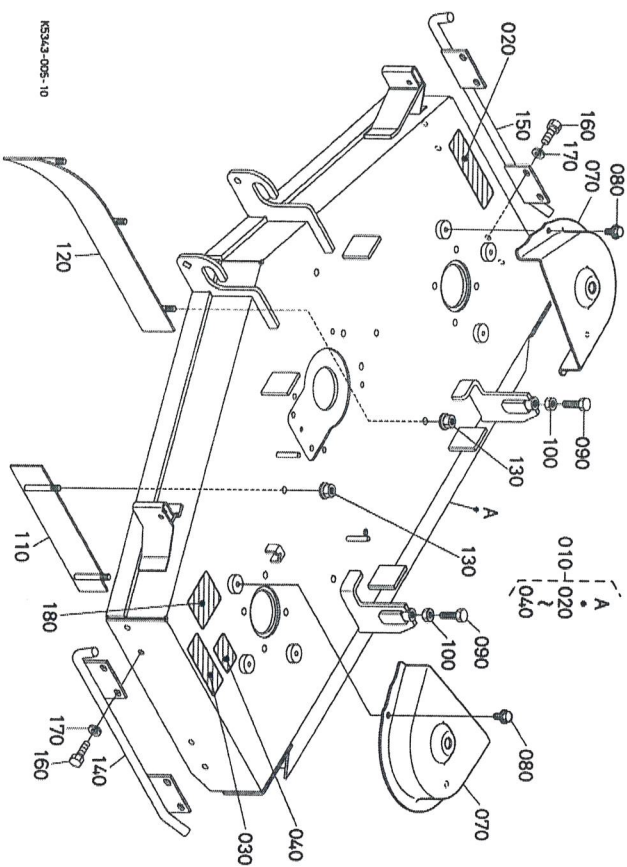


K5343-403-10

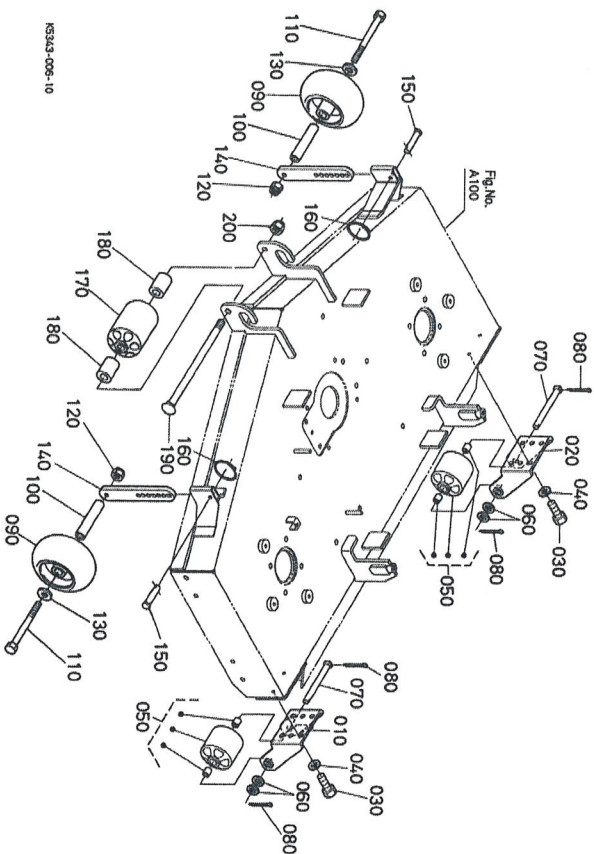
No.	Part Number	Part Name (ENG)	QTY	IC	Serial No./PIN	Kg	Remarks
010	K5617-34112	HOLDER,PULL EY CENTER	1			0.000	
020	04816-00500	O RING	1			0.003	
030	K5617-33520	COLLAR CENTER	1			0.000	
040	08101-06205	BEARING BALL	1			0.120	
050	70722-34120	SEAL,OIL	1			0.025	
060	04611-00520	CIR-CLIP,INTERNAL	1			0.009	
070	70725-34162	SEAL,OIL	1			0.024	
080	K5761-34152	BOSS,SPLINE	1	=		0.280	
080	K5651-34140	BOSS,(SPLINE)	1			0.280	
090	04612-00180	CIR-CLIP, EXTERNAL	1			0.001	
100	K5617-34310	COVER,DUST	1		<=10154	0.150	
100	K5617-34312	COVER,DUST	1	>>	>=10155	0.000	
110	K5343-34340	BLADE	1			0.000	H20T
120	K5112-71330	SPRING,PLATE	1		<=10140	0.040	
120	K5112-71333	SPRING,PLATE	1	>>	>=10141	0.040	
130	K5700-34370	BOLT, BLADE	1		<=10254	0.090	
130	K5700-34375	BOLT (BLADE,M12*1, 25)	1	>>	>=10255	0.090	



No.	Part Number	Part Name (ENG)	QTY	IC	Serial No./PIN	Kg	Remarks
010	K5201-71410	BELT,MOWER 106	1			0.400	
020	K5617-34730	ARM,TENSION	1			0.000	
030	K5651-20150	BUSHING,TENSION #12KU10	2			0.017	
040	K5651-34780	COLLAR (TENSION)	1			0.055	
050	01173-51270	HEX.BOLT	1			0.067	
055	04015-60120	WASHER,PLAIN	1			0.022	
055	04015-70120	WASHER,PLAIN	1	=		0.020	
060	75599-32015	WASHER,PLAIN(1/2)	1			0.010	1/2
070	04512-60120	WASHER,SPRING	1			0.005	
080	02174-50120	HEX.NUT	1			0.010	
090	K5112-71650	PULLEY,TENSION	1			0.530	
100	K5617-34790	COVER,TENSION	1		<=20020	0.000	
100	K5617-34792	COVER (TENSION)	1	>>	>=20021	0.000	
110	0Y169-50628	BOLT,SHORT SQUARE(3/8-24UNF)	1			0.032	
120	04013-60100	WASHER,PLAIN	1			0.003	
130	75599-33013	LOCKWASHER 3/8"PTD	1			0.006	3/8
140	75599-31023	HEX.NUT(3/8-24UNF)	1			0.006	3/8-24UNF
150	K1122-15150	NIPPLE (GREASE,M6*1.0)	1		<=10254	0.002	M6*1.0
150	K1122-15152	NIPPLE (GREASE,M6*1.0)	1	>>	>=10255	0.002	M6*1.0
160	K5763-34750	SPRING (TENSION)	1		<=10288	0.170	
160	K5763-34753	SPRING (TENSION)	1	>>	>=10289	0.170	



No.	Part Number	Part Name (ENG)	QTY	IC	Serial No./PIN	Kg	Remarks
010	K5343-42100	ASSY DECK MOWER	1			0.000	
020	K5652-41780	LABEL, WARNIN G	1			0.010	
030	K5652-41793	LABEL, WARNIN G 2	1			0.006	
040	K5652-41800	LABEL, WARNIN G	1			0.001	
070	K5617-41200	COVER, BELT	2			0.000	
080	01754-50825	BOLT, FLANGE	4			0.010	
090	K5645-41910	BOLT (ADJUSTER)	2		<=10302	0.050	
090	K5645-41912	BOLT (ADJUSTER)	2	>>	>=10303	0.050	
100	02174-50120	HEX, NUT	2			0.010	
110	K5343-41510	PLATE, BUFLFLE FRO, LH	1			0.000	
120	K5343-41520	PLATE, BUFLFLE FRO, RH	1			0.000	
130	02131-50100	NUT	5			0.010	
140	K5343-40910	SLEDGE, LH	1			0.000	
150	K5343-40920	SLEDGE, RH	1			0.000	
160	01073-51020	BOLT	8			0.024	
170	04512-60100	WASHER, SPRING	8			0.002	
180	K5221-73130	LABEL, ANTI-SCALP	1			0.005	

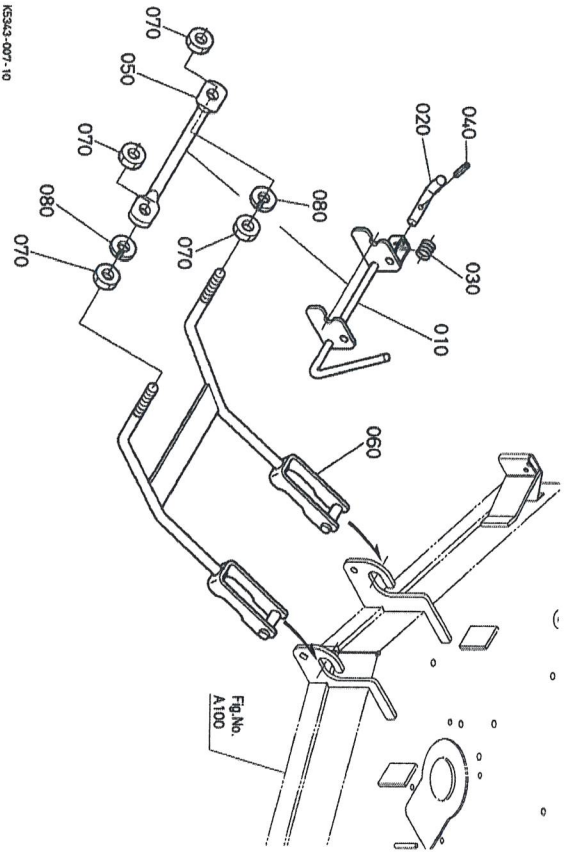


No.	Part Number	Part Name (ENG)	QTY	IC	Serial No./PIN	Kg	Remarks
010	K5343-46130	STAY,ROLLER LH	1			0.000	
020	K5343-46140	STAY,ROLLER RH	1			0.000	
030	01073-51025	BOLT	4			0.025	
040	04512-60100	WASHER,SPRING	4			0.002	
050	K5763-46250	ROLLER,ANTI-SCALP	2			0.320	
060	75599-32015	WASHER,PLAIN(1/2)	4			0.010	1/2
070	K5651-46180	PIN,GAUGE	2		<=10222	0.150	
070	K5651-46182	PIN,GAUGE	2	>>	>=10223	0.150	
070	K5651-46183	PIN,GAUGE)	2	>>	>=10243	0.150	
080	75599-53173	PIN,COTTER (1/8")	4			0.002	1/8"1
090	K5182-72410	GAUGE WHEEL	2			0.460	5.0
100	K5182-72660	BOSS, GAUGE WHEEL	2			0.060	
110	01053-50890	HEX,BOLT	2			0.030	
120	K5112-72840	HEX,LOCKNUT (M8*1.25)	2		<=10302	0.005	
120	K5112-72842	HEX (LOCKNUT,M8*1.25)	2	>>	>=10303	0.005	
130	K5112-72830	WASHER,PLAIN	2		<=10302	0.005	
130	K5112-72832	WASHER (PLAIN)	2	>>	>=10303	0.005	
140	K5122-72680	PLATE(GAUGE WHEEL)	2			0.360	
150	75599-51320	PIN,CLEVIS (3/8")	2			0.017	3/8"1
160	K5112-72730	RING,SNAP	2		<=20020	0.010	
160	K5112-72733	RING(SNAP)	2	>>	>=20021	0.010	
170	K5112-72420	ROLLER,ANTI-SCALP)	1			0.150	2.5
180	K5371-44310	COLLAR, WHEEL 2.5	2			0.045	2.5
190	K5221-72650	BOLT,GAUGE	1		<=10302	0.250	2-2.5
190	K5221-72652	BOLT(GAUGE 2-ZS)	1	>>	>=10303	0.250	2-2.5

BKIDA0347 > RCK48R-23BX-EU > MOWER > A10300 GAUGE WHEEL

Update Date : 25-07-2019 Print Date : 20-05-2020

No.	Part Number	Part Name (ENG)	QTY	IC	Serial No./PIN	Kg	Remarks
200	02572-50120	NUT, LOCKING	1			0.014	



KS34-307-10

No.	Part Number	Part Name (ENG)	QTY	IC	Serial No./PIN	Kg	Remarks
010	KS371-44583	LEVER, LINK	1			0.000	
020	K5763-44540	PIN, FRONT	1		<=10222	0.160	
020	K5763-44542	PIN, FRONT	1	>>	>=10223	0.160	
030	K5763-44560	SPRING, PIN FRONT	1		<=10288	0.010	
030	K5763-44562	SPRING, PIN FRONT	1	>>	>=10289	0.010	
040	75599-52532	PIN, SPRING (7/32*1-5/8)	1			0.005	7/32*15/8
050	KS371-44610	LINK, FRONT 1	1			0.560	
060	KS381-44622	LINK, FRONT 2	1			0.000	
070	02074-50160	NUT	4			0.029	
080	75599-33017	LOCKWASHER 5/8" PTD	2			0.005	