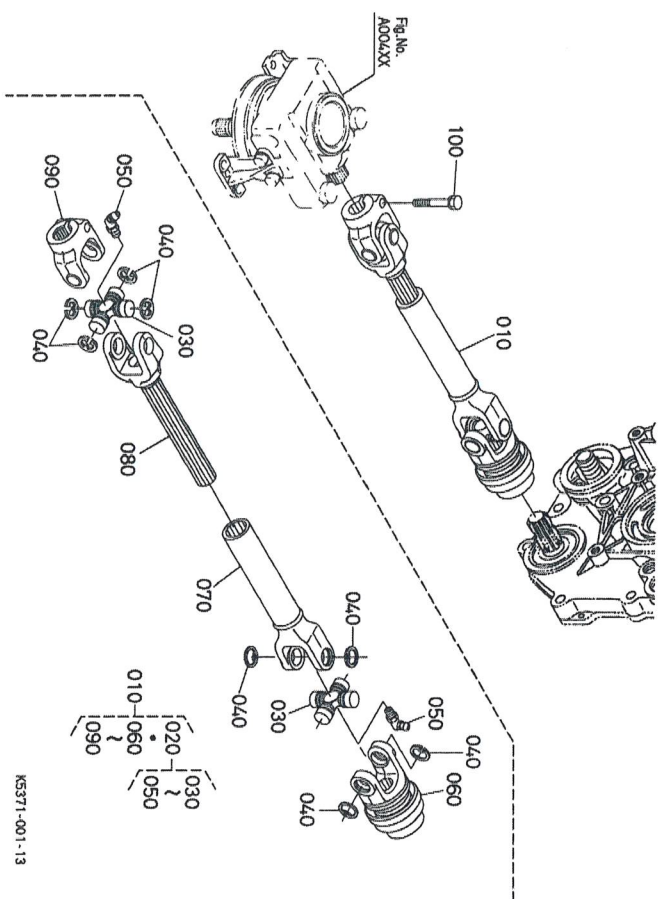


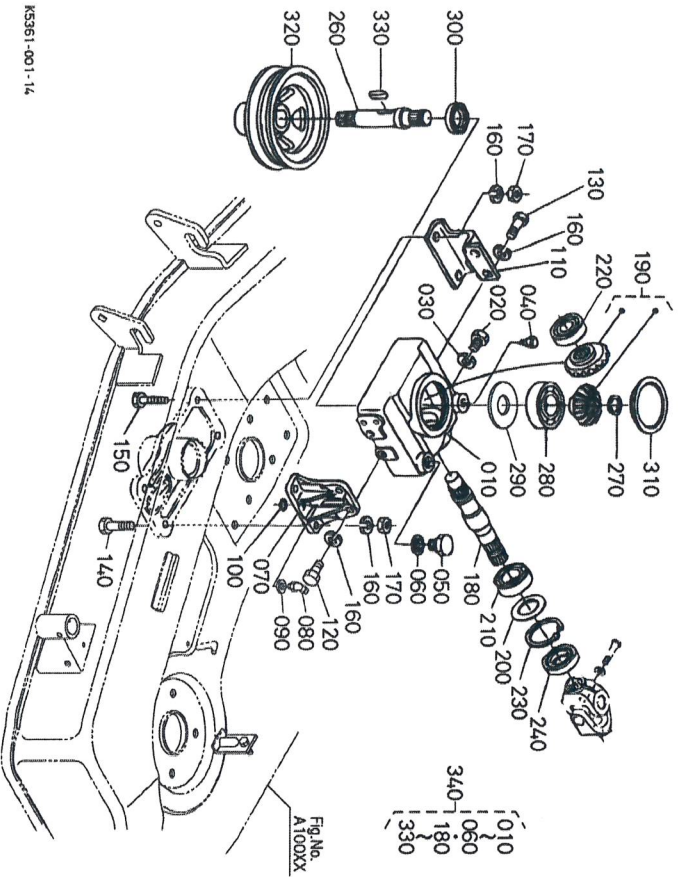
K5371-001-12

No.	Part Number	Part Name (ENG)	QTY	IC	Serial No./PIN	Kg	Remarks
010	K5371-32030	UNIVERSAL JOINT	1			3.500	
020	76539-31150	YOKE(QUICK)	1			0.550	
030	K5371-31130	YOKE PTO	1			0.480	
040	76553-31140	SHAFT JOINT	1			1.210	
050	76539-31170	YOKE SLEEVE	1			0.650	
060	76539-31180	JOINT ASSY (CROSS)	2			0.200	
070	76539-31210	NIPPLE GREASE	2			0.010	
080	76539-32120	RING SNAP	8			0.003	
090	01123-51035	BOLT SEMS	1			0.025	



K5371-001-13

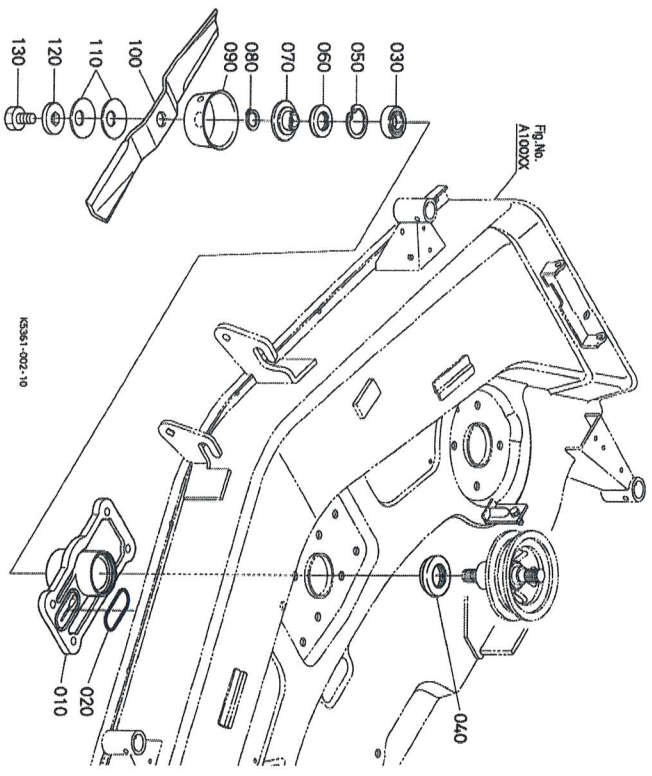
No.	Part Number	Part Name (ENG)	QTY	IC	Serial No./PIN	Kg	Remarks
010	K5381-32030	JOINT UNIV ASSY	1			3.350	
020	K5646-31180	ASSY JOINT CROSS	2			0.250	
030	K5646-31220	JOINT CROSS	2			0.235	
040	K5646-32120	RING SNAP	8			0.001	
050	70720-31212	NIPPLE GREASE	2			0.006	
050	H6660-99100	NIPPLE GREASE	2	>>		0.006	
060	K5646-31150	YOKE QUICK	1			0.550	
070	K5381-31160	YOKE(SLEEVE)	1			0.767	
080	K5381-31140	YOKE(SHAFT)	1			1.151	
090	K5646-31130	YOKE PTO	1			0.400	
100	01123-51035	BOLT SEMS	1			0.025	



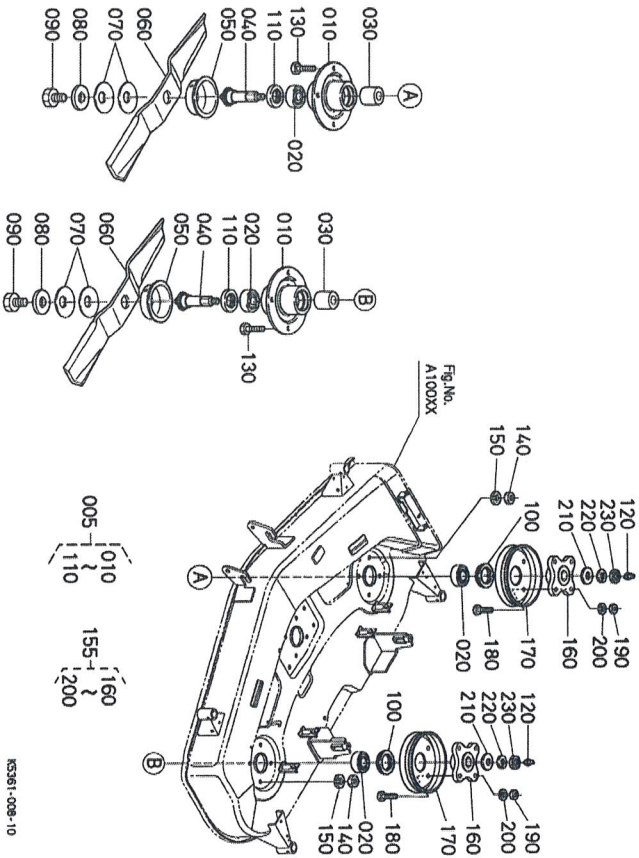
No.	Part Number	Part Name (ENG)	QTY	IC	Serial No./PIN	Kg	Remarks
010	K5381-33110	CASE BEVEL GEAR	1			3.760	
020	01153-50812	HEX BOLT	2			0.008	
030	04717-00800	WASHER SEAL	2			0.001	
040	K5761-33250	PLUG (BREATHER)	1		<=10359	0.006	
040	K5761-33252	PLUG BREATH ER	1	>>	>=10360	0.006	
050	06331-35016	PLUG	1			0.040	
060	04711-00300	PACKING	1			0.001	
070	K5371-33133	STAY CASE LH	1			0.220	
080	K5763-44250	NIPPLE (GREASE 45)	1		<=11596	0.010	
080	K5763-44252	NIPPLE (GREASE 45)	1	>>	>=11597	0.010	
090	K5763-27340	SHIM ADJUST	1			0.001	
100	04816-06120	O RING	1			0.002	
110	K5763-33150	STAY CASE RH	1			0.530	
120	K5763-33210	BOLT REAMER 30	2			0.040	
130	01073-51225	BOLT	2			0.035	
140	K5763-33230	BOLT REAMER	2		<=11596	0.045	
140	K5763-33232	BOLT (REAMER.35)	2	>>	>=11597	0.045	
150	01073-51235	HEX BOLT	2			0.045	
160	04512-60120	WASHER SPRING	8			0.005	
170	02074-50120	NUT	4			0.015	
180	K5763-33310	SHAFT PINION	1			0.660	
190	K5761-33320	KIT GEAR BEVEL	1			0.450	
200	36330-28420	SHIM 0.2	2			0.002	0.2mm
200	36330-28410	SHIM 0.3	2			0.002	0.3mm
210	08101-06205	BEARING BALL	1			0.120	
220	08101-06304	BEARING BALL	1			0.146	
230	04611-00520	CIR-CLIP INTERNAL	1			0.009	
240	76535-33440	SEAL OIL	1			0.020	
260	K5371-33500	SHAFT BLADE CENTER	1			0.540	

K5361-001-14

No.	Part Number	Part Name (ENG)	QTY	IC	Serial No./PIN	Kg	Remarks
270	04612-00220	CIR-CLIP, EXTERNA L	1			0.001	
280	70712-33550	BEARING, BALL	1			0.220	
290	70712-33570	SHIM	1			0.001	0.1mm
290	76539-33410	SHIM	1			0.001	0.2mm
300	K5761-33540	SEAL,OIL	1			0.010	
310	7C765-51260	CAP	1			0.070	
320	K5371-33520	PULLY,CENTRE R	1			1.780	
330	05712-00728	KEY,FEATHER	1			0.010	
340	K5361-33100	ASSY,CASE BEVEL GEAR	1		<=11391	8.280	
340	K5361-33103	ASSY,CASE BEVEL GEAR	1	>>	>=11392	7.000	



No.	Part Number	Part Name (ENG)	QTY	IC	Serial No./P/N	Kg	Remarks
010	K5371-34113	HOLDER,PULL EY CENTER	1			1.200	
020	04816-00500	O RING	1			0.003	
030	08101-06205	BEARING,BALL	1			0.120	
040	70722-34120	SEAL,OIL	1			0.025	
050	04611-00520	CIR-CLIP,INTERNAL	1			0.009	
060	70725-34162	SEAL,OIL	1			0.024	
070	K5761-34152	BOSS,SPLINE	1			0.280	
070	K5651-34140	BOSS(SPLINE)	1	=		0.280	
080	04612-00220	CIR-CLIP,EXTERNAL	1			0.001	
090	K5651-34310	COVER,DUST	1			0.100	
100	K5351-34342	BLADE	1			0.000	54C-H20
110	K5371-34350	SPRING,CORN	2		<=11014	0.030	
110	K5371-34352	SPRING,CORN	2	>>	>=11015	0.030	
120	K5371-34390	WASHER,LOCK	1		<=11596	0.052	
120	K5371-34392	WASHER (LOCK)	1	>>	>=11597	0.000	
130	K5371-34370	BOLT, BLADE	1		<=11596	0.078	M12*1.25
130	K5371-34372	BOLT, BLADE (M12*1.25)	1	>>	>=11597	0.078	M12*1.25

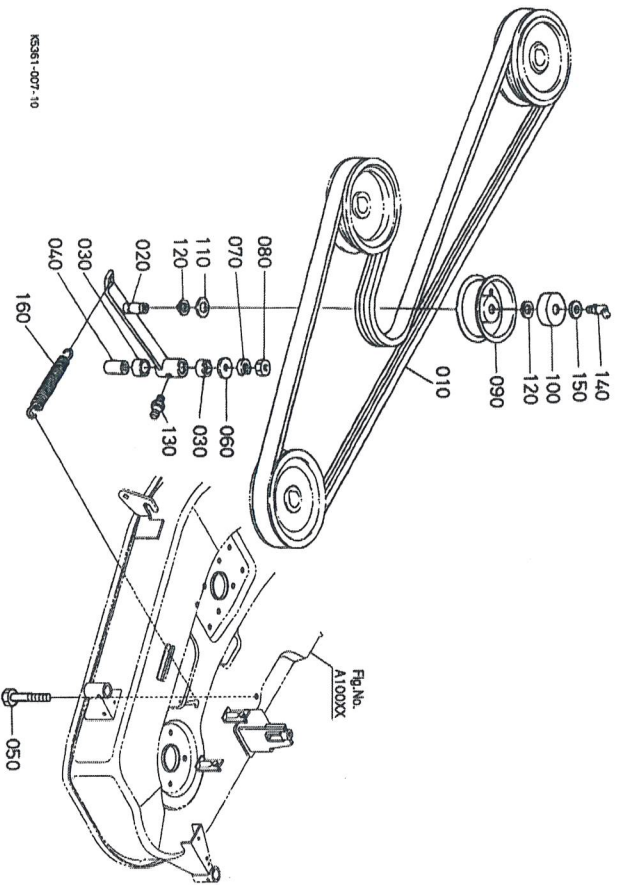


No.	Part Number	Part Name (ENG)	QTY	IC	Serial No./PIN	Kg	Remarks
005	K5351-34500	ASSY,HOLDER PULLEYS	2			0.000	
010	K5221-71210	HOLDER (PULLEY)	2			1.000	
020	08101-06205	BEARING BALL	4			0.120	
030	K5221-71130	COLLAR	2			0.055	
040	K5371-34552	SHAFT SIDE BLADE	2			0.615	
050	K5651-34310	COVER,DUST	2			0.100	
060	K5351-34342	BLADE	2			0.000	54C-H20
070	K5371-34350	SPRING,CORN	4		<=11014	0.030	
070	K5371-34352	SPRING,CORN	4	>>	>=11015	0.030	
080	K5371-34390	WASHER,LOCK	2		<=11596	0.052	
080	K5371-34392	WASHER (LOCK)	2	>>	>=11597	0.000	
090	K5371-34370	BOLT,BLADE	2		<=11596	0.078	M12-1,25
090	K5371-34372	BOLT,BLADE (M12-1,25)	2	>>	>=11597	0.078	M12-1,25
100	70722-34120	SEAL OIL	2			0.025	
110	70725-34162	SEAL OIL	2			0.024	
120	K1122-15150	NIPPLE (GREASE,M6*1,0)	2		<=11596	0.002	
120	K1122-15152	NIPPLE (GREASE,M6*1,0)	2	>>	>=11597	0.002	
130	01073-51230	BOLT	8			0.041	
140	02074-50120	NUT	8			0.015	
150	04512-60120	WASHER SPRING	8			0.005	
155	K5381-34590	ASSY PULLEY,SIDE	2		<=11521	0.000	ORDER BY REF.No.155 NEW PART
155	K5381-34592	PULLEY,ASSY (BLADE S)	2	>>	>=11522	0.000	
160	K5381-34570	BOSS SIDE PULLEY	2			0.000	
170	K5381-34580	PULLEY,SIDE	2		<=11521	0.000	ORDER BY REF.No.170 NEW PART
170	K5385-34580	PULLEY(SIDE)	2	>>	>=11522	0.000	
180	01153-50825	HEX BOLT	8			0.012	
190	02054-50080	HEX NUT	8			0.005	
200	75599-33012	WASHER SPRING LOCK(5/16)	8			0.002	

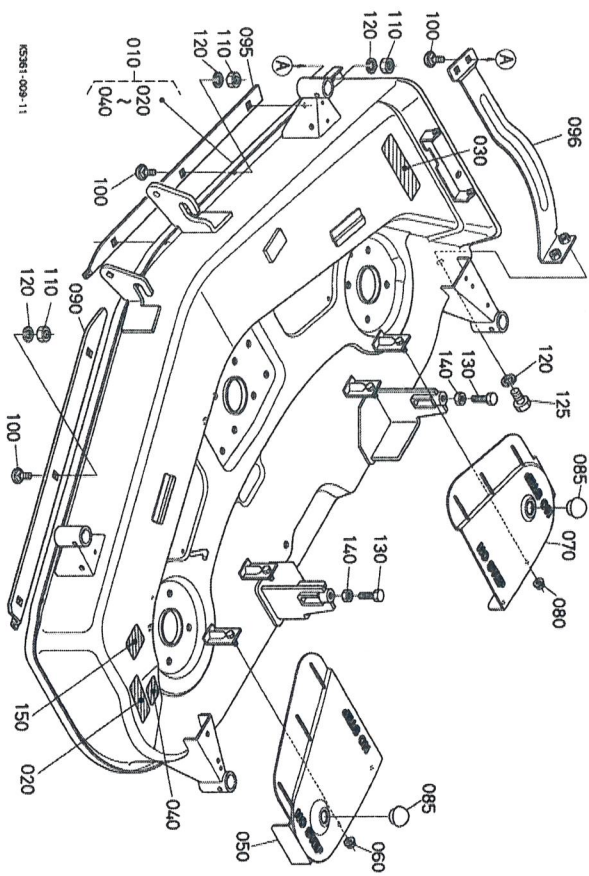
BKIDA0340 >> RCK54-23BX-EU >> MOWER >> A01002 BLADE

Update Date : 25-07-2019 Print Date : 20-05-2020

No.	Part Number	Part Name (ENG)	QTY	IC	Serial No./PIN	Kg	Remarks
210	04013-50180	WASHER,PLAI N	2			0.015	
220	04512-60180	WASHER,SPRI NG	2			0.020	
230	02074-50180	NUT	2			0.043	



No.	Part Number	Part Name (ENG)	QTY	IC	Serial No./PIN	Kg	Remarks
010	K5351-34710	BELT,112 POLY	1			0.930	
020	K5371-34730	ARM, TENSION	1			0.570	
030	K5651-20150	BUSHING, TENSION #12KUJ10	2			0.017	
040	K5651-34780	COLLAR (TENSION)	1			0.055	
050	01073-51270	BOLT	1			0.060	
060	75599-32015	WASHER PLAIN(1/2)	1			0.010	
070	04512-60120	WASHER, SPRING	1			0.005	
080	02074-50120	NUT	1			0.015	
090	K5651-34880	PULLEY, TENSION	1			0.550	
100	K5651-34790	COVER, TENSION	1			0.020	
110	K5651-34800	SEAL (BEARING)	1	>>	<=11596	0.001	
120	04612-00170	CLIP, EXTERNAL	2			0.001	
130	K1122-15150	NIPPLE (GREASE M*1.0)	1	>>	<=11596	0.002	
130	K1122-15152	NIPPLE (GREASE M*1.0)	1	>>	>=11597	0.002	
140	K5763-12100	NIPPLE (GREASE, 45°)	1	>>	<=11596	0.007	
140	K5763-12102	NIPPLE (GREASE, 45°)	1	>>	>=11597	0.007	
150	K5763-27350	SHIM, ADJUST (M8)	1			0.001	
160	K5763-34750	SPRING (TENSION)	1		<=11596	0.170	
160	K5763-34753	SPRING (TENSION)	1	>>	>=11597	0.170	

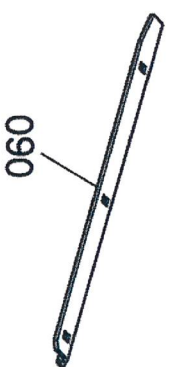


No.	Part Number	Part Name (ENG)	QTY	IC	Serial No./PIN	Kg	Remarks
010	K5361-43100	ASSY DECK MOWER	1			0.000	
020	K5652-41793	LABEL, WARNIN G 2	1			0.006	
030	K5652-41780	LABEL, WARNIN G	1			0.010	
040	K5652-41800	LABEL, WARNIN G	1			0.001	
050	K5381-41182	COVER LH	1			0.000	
060	02121-50080	NUT	2			0.010	
070	K5381-41200	COVER RH	1			0.000	
080	02121-50080	NUT	2			0.010	
085	K5652-51160	CAP	2			0.010	
090	K5764-41210	PLATE FRONT LH	1	>>	<=10971	0.170	
090	K5764-41212	PLATE FRONT LH	1	>>	>=10972	0.170	
090	K5683-41210	PLATE FRONT LH	1	>>	>=10987	0.000	
095	K5764-41220	PLATE FRONT RH	1		<=10971	0.708	
095	K5764-41222	PLATE FRONT RH	1	>>	>=10972	0.708	
095	K5683-41220	PLATE FRONT RH	1	>>	>=10987	0.000	
096	K5764-41230	PLATE DISCHARGE	1			0.770	
100	K1122-91320	BOLT, SHORT SOU. NECK (M8*1,25)	8			0.010	
110	02054-50080	HEX NUT	8			0.005	
120	75599-33012	WASHER SPRING LOCK (5/16)	10			0.002	
125	01053-50816	HEX BOLT	2			0.011	
130	K5645-41910	BOLT (ADJUSTER)	2		<=11586	0.050	
130	K5645-41912	BOLT (ADJUSTER)	2	>>	>=11597	0.050	
140	02174-50120	HEX NUT	2			0.010	
150	K5223-73130	LABEL (ANTI-SCALP)	1		<=11388	0.005	

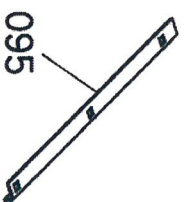
No.	Part Number	Part Name (ENG)	QTY	IC	Serial No./PIN	Kg	Remarks
150	K5125-73130	LABEL,ANTI-SCALP	1	>>	>=11389	0.000	

OLD

- 090 K5764-4121-0
- 090 K5764-4121-2

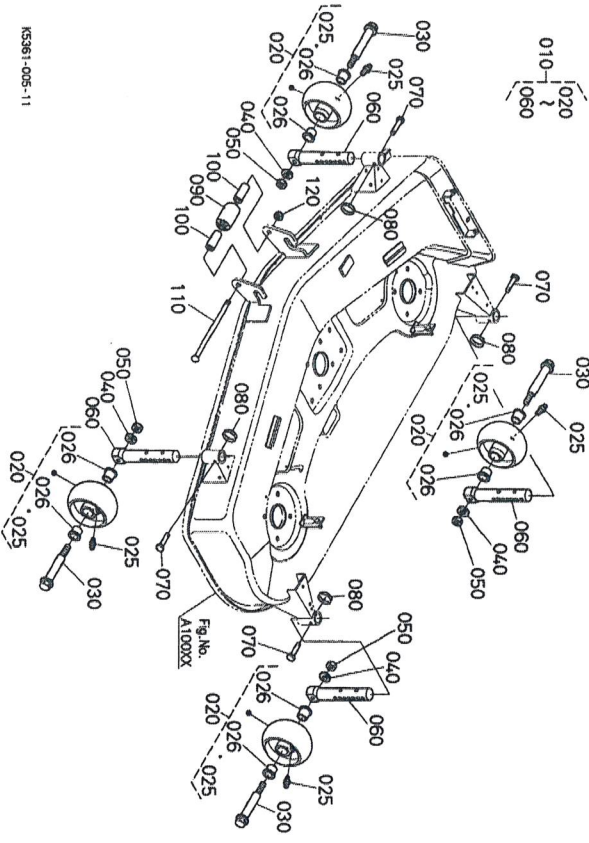


- 095 K5764-4122-0
- 095 K5764-4122-2



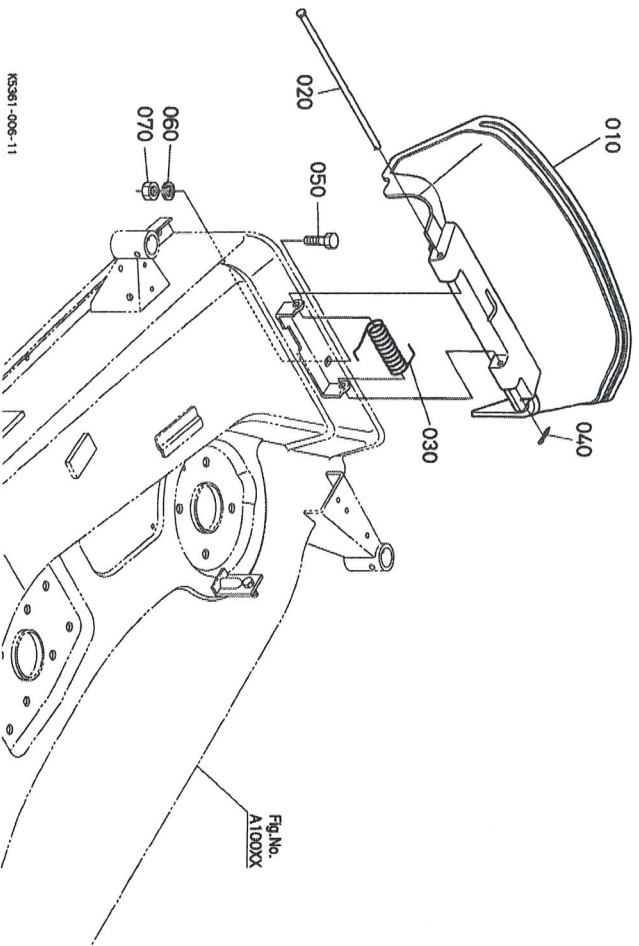
K5361-800-10

No.	Part Number	Part Name (ENG)	QTY	IC	Serial No./PIN	Kg	Remarks
090	K5764-41210	PLATE(FRONT LH)	1		<=10971	0.170	
090	K5764-41212	PLATE(FRONT LH)	1	>>	>=10972	0.170	
090	K5683-41210	PLATE(FRONT LH)	1	>>	>=10987	0.000	
095	K5764-41220	PLATE(FRONT RH)	1		<=10971	0.708	
095	K5764-41222	PLATE(FRONT RH)	1	>>	>=10972	0.708	
095	K5683-41220	PLATE(FRONT RH)	1	>>	>=10987	0.000	



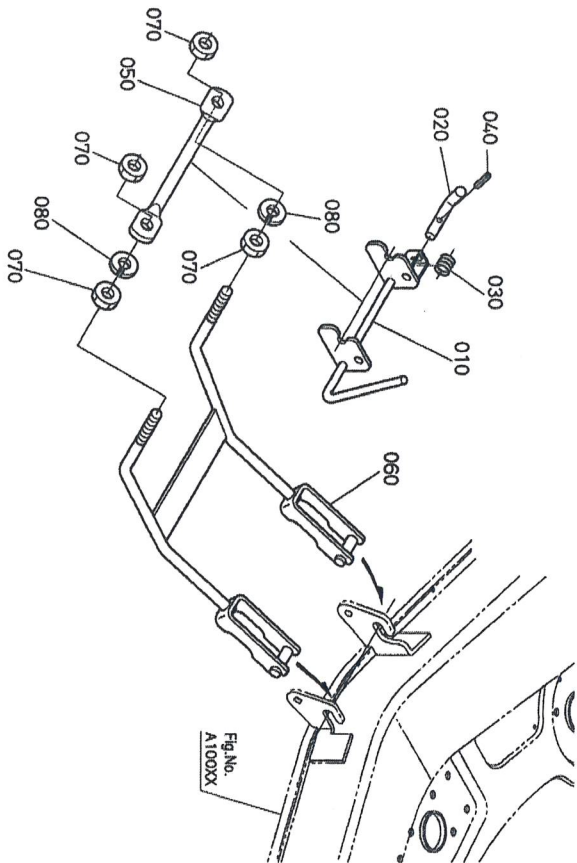
K5361-005-11

No.	Part Number	Part Name (ENG)	QTY	IC	Serial No./PIN	Kg	Remarks
010	K5351-42100	ASSY,ANTI-SCALP	4			0.000	
020	K5351-42110	ROLLER,ASSY ANTI-SCALP	4			0.000	
025	75599-81521	FITTING,GREA SET(1/4-28T.T.*88)	4			0.003	
026	K5351-44190	BUSHING,GAUGE	8			0.000	
030	K5221-72670	BOLT,SHOULDER	4		<=11567	0.150	
030	K5221-72672	BOLT,SHOULDER	4	>>	>=11568	0.150	
040	04512-60100	WASHER,SPRING	4			0.002	
050	02014-50100	HEX,NUT	4			0.011	
060	K5221-72680	PINGAUGE WHEEL)	4			0.650	
070	75599-51235	PIN,CLEVIS 5/16*1.75	4			0.030	
080	K3111-72740	RING(SMAP)	4		<=11596	0.010	
080	K3111-72742	RING(SMAP)	4	>>	>=11597	0.010	
090	K5112-72420	ROLLER,ANTI-SCALP)	1			0.150	
100	K5371-44310	COLLAR,WHEEL	2		<=11596	0.045	
100	K5371-44312	COLLAR (WHEEL 2.5)	2	>>	>=11597	0.045	
110	K5221-72650	BOLT,GAUGE	1		<=11596	0.250	
110	K5221-72652	BOLT,GAUGE(2-2.5)	1	>>	>=11597	0.250	
120	02572-50120	NUT,LOCKING	1			0.014	



K5361-006-11

No.	Part Number	Part Name (ENG)	QTY	IC	Serial No./PIN	Kg	Remarks
010	K5381-47112	COVER DISCHARGE	1			0.000	
020	K5617-47150	PIN,COVER	1		<=11596	0.000	
020	K5617-47152	PIN,COVER	1	>>	>=11597	0.000	
030	K5112-72130	SPRING (COVER)	1		<=11596	0.050	
030	K5112-72132	SPRING (COVER)	1	>>	>=11597	0.050	
040	75599-53152	PIN,COTTER (3/32-3/4)	1			0.001	3/32-3/4
050	01073-51030	BOLT	1			0.028	
060	04512-60100	WASHER,SPRING	1			0.002	
070	02018-50100	NUT	1			0.011	



No.	Part Number	Part Name (ENG)	QTY	IC	Serial No./PIN	Kg	Remarks
010	K5371-44583	LEVER LINK	1			0.000	
020	K5763-44540	PIN,FRONT	1		<=11596	0.160	
020	K5763-44542	PIN,FRONT	1	>>	>=11597	0.160	
030	K5763-44560	SPRING,PIN FRONT	1		<=11596	0.010	
030	K5763-44562	SPRING(PIN FRONT)	1	>>	>=11597	0.010	
040	75599-52532	PIN,SPRING (7/32"1-5/8)	1			0.005	7/32"15/8
050	K5371-44610	LINK,FRONT 1	1			0.560	
060	K5381-44622	LINK,FRONT 2	1			0.000	
070	02074-50160	NUT	4			0.029	
080	75599-33017	LOCKWASHER 5/8" PTD	2			0.005	