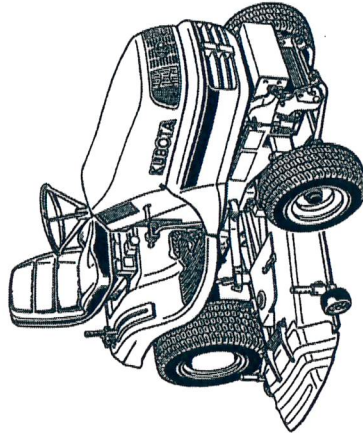


RCK54-24GEC/RCK54-24GUK



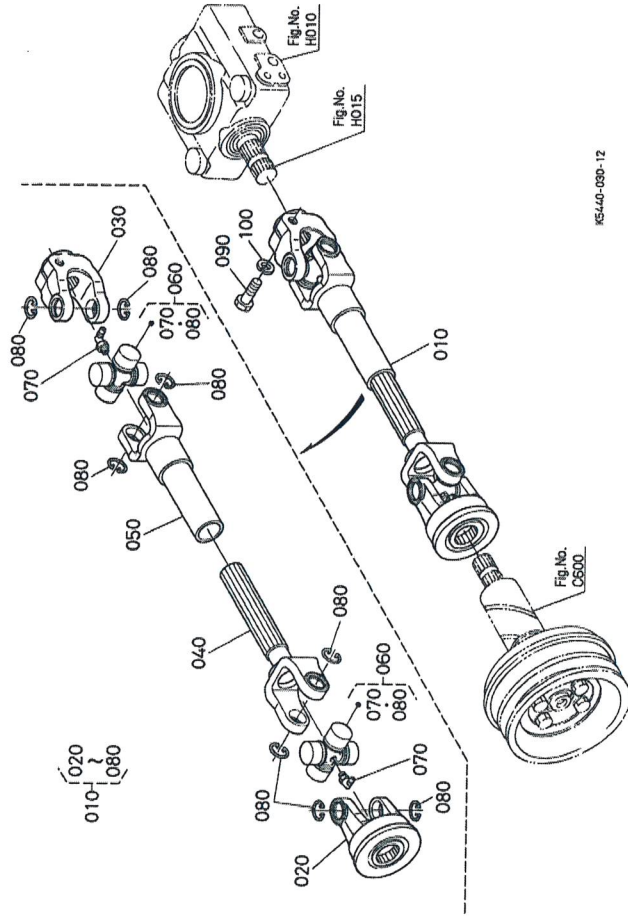
FUJIG-089-10

Kubota

■ BLADE				
■ ROLLER				
■ BELT				
■ PULLEY CENTER				
■ PULLEY SIDE				
■ TENSION PULLEY				
■ OIL SEAL PULLEY HOLDER				
■ OIL SEAL PULLEY HOLDER				
■ COLLAR				
■ BUSH				
■ SPRING				
■ OIL SEAL PULLEY HOLDER				

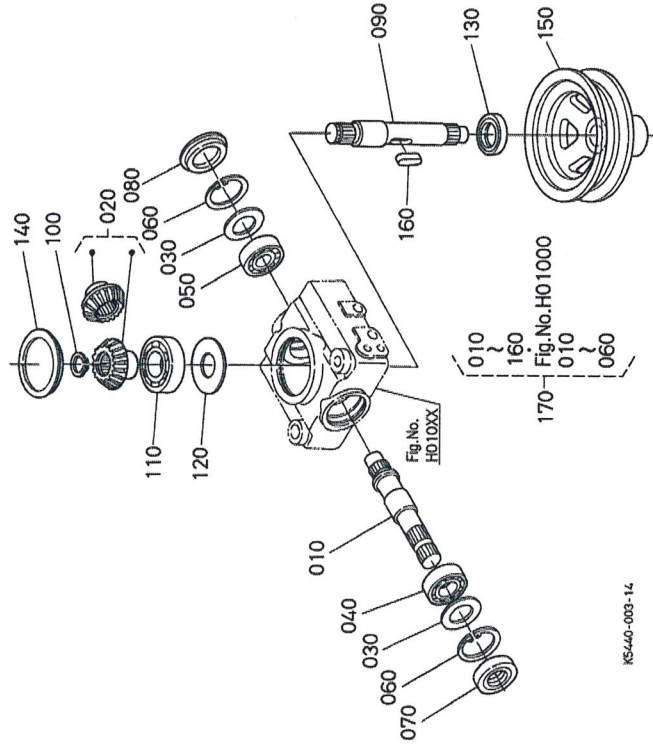
No.	Part Number	Part Name (ENG)	QTY	IC	Serial No./PIN	Kg	Remarks
010	K5351-34331	BLADE	3			0.000	
010	K5351-34340	BLADE	3	=	<=10090	1.400	
010	K5351-34342	BLADE	3	>>	>=10091	0.000	
020	K5371-34552	SHAFT, SIDE BLADE	2			0.615	
030	K5371-34370	BOLT, BLADE	2		<=10116	0.078	
030	K5371-34372	BOLT, BLADE (M12*1.25)	2	>>	>=10117	0.078	
040	K5761-34152	BOSS, SPLINE	1			0.280	
050	K5371-42110	GAUGE WHEEL, 5.0	4			0.460	
060	K5112-72420	ROLLER(ANTI-SCALP)	1			0.150	
070	K5221-72680	PIN(GAUGE WHEEL)	4			0.650	
080	K5351-34710	BELT, 112 POLY	1			0.930	
090	K5651-47110	COVER, DISCHARGE	1			4.800	
100	K5371-33520	PULLEY, CENTER	1			1.780	
110	K5371-34580	PULLEY, BLADE SIDE	2			0.650	
120	K5651-34880	PULLEY, TENSION	1			0.550	
130	K5763-34750	SPRING (TENSION)	1		<=10163	0.170	
130	K5763-34753	SPRING (TENSION)	1	>>	>=10164	0.170	
140	K5651-20150	BUSHING (TENSION)	2			0.017	
150	K5651-34780	COLLAR (TENSION)	1			0.055	
160	76535-33440	SEAL, OIL	1			0.020	
170	K5761-33540	SEAL, OIL	1			0.010	
180	K5651-34121	OIL SEAL, UPPER	3			0.000	
180	70722-34120	SEAL, OIL	3	=		0.025	
190	K5651-34161	OIL SEAL, LOWER	3			0.000	
190	70725-34162	SEAL, OIL	3	=		0.024	

No.	Part Number	Part Name (ENG)	QTY	IC	Serial No./PIN	Kg	Remarks
010	K5460-32030	JOINT,UNIV,ASY	1			3.050	
020	76539-31150	YOKE(QUICK)	1			0.550	
030	K5371-31130	YOKE,PTO	1			0.480	
040	K5460-31190	SHAFT,JOINT	1			0.980	
050	K5700-31170	YOKE(JOINT)	1			0.610	
060	76539-31180	JOINT ASSY (CROSS)	2			0.200	
070	76539-31210	NIPPLE,GREASE	2			0.010	
080	76539-32120	RING,SNAP	8			0.003	
090	01053-51035	HEX BOLT	1			0.030	
100	04512-50100	WASHER,SPRING LOCK	1			0.003	

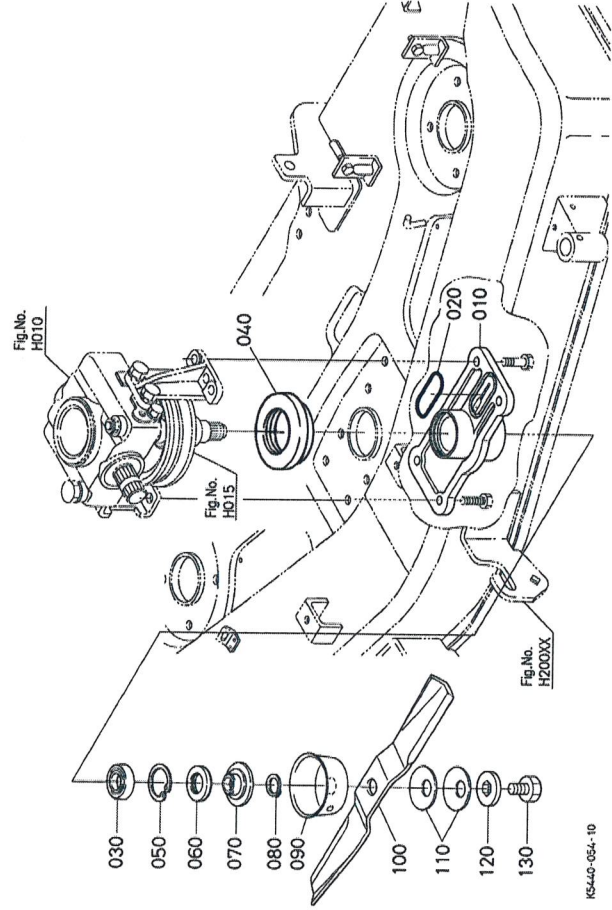


KS440-080-12

No.	Part Number	Part Name (ENG)	QTY	IC	Serial No./PIN	Kg	Remarks
010	K5763-33310	SHAFT(PINION)	1			0.660	
020	K5761-33320	KIT GEAR,BEVEL	1			0.450	16-19T
030	36330-28420	SHIM 0.2	2			0.002	0.20mm
030	36330-28410	SHIM 0.3	2			0.002	0.30mm
040	08101-06205	BEARING,BALL	1			0.120	
050	08101-06304	BEARING,BALL	1			0.146	
060	04611-00520	CIR-CLIP,INTERNAL	2			0.009	
070	76535-33440	SEAL,OIL	1			0.020	
080	63313-32270	CAP	1			0.030	
090	K5460-71270	SHAFT,BLADE	1			0.670	
100	04612-00220	CIR-CLIP,EXTERNAL	1			0.001	
110	70712-33550	BEARING,BALL	1			0.220	
120	70712-33570	SHIM	1			0.001	0.10mm
120	76535-33410	SHIM	1			0.001	0.20mm
130	K5761-33540	SEAL,OIL	1			0.010	
140	7C765-51260	CAP	1			0.070	
150	K5371-33520	PULLY,CENTER	1			1.780	
160	05712-00728	KEY,FEATHER	1			0.010	
170	K5440-71050	CASE,BVL GEAR,ASSY	1			9.000	
170	K5440-71063	ASSY CASE,BEVEL GEAR	1	=		15.000	

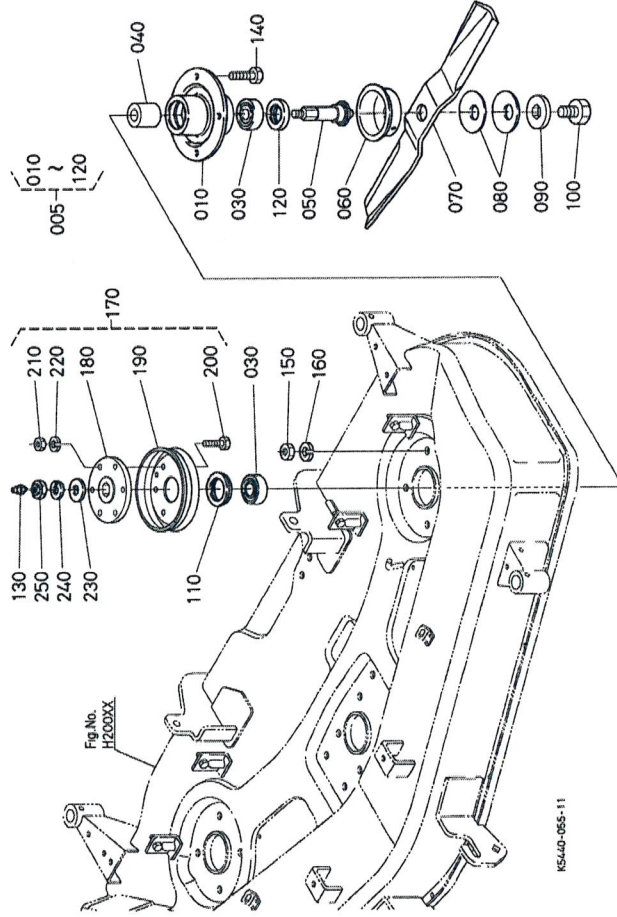


K5440-003-14



K5440-064-10

No.	Part Number	Part Name (ENG)	QTY	IC	Serial No./PIN	Kg	Remarks
010	K5371-34113	HOLDER,PULLEY CENTER	1			1.200	
020	04811-00500	O RING	1			0.002	
020	04816-00500	O RING	1	>>		0.003	
030	08101-06205	BEARING,BALL	1			0.120	
040	K5651-34121	OIL SEAL,UPPER	1			0.000	
040	70722-34120	SEAL,OIL	1	=		0.025	
050	04611-00520	CIR-CLIP,INTERNAL	1			0.009	
060	K5651-34161	OIL SEAL,LOWER	1			0.000	
060	70725-34162	SEAL,OIL	1	=		0.024	
070	K5761-34152	BOSS,SPLINE	1			0.280	
080	04612-00220	CIR-CLIP,EXTERNAL	1			0.001	
090	K5651-34310	COVER,DUST	1			0.100	
100	K5351-34331	BLADE	1			0.000	
100	K5351-34341	BLADE	1	=		0.000	
100	K5351-34342	BLADE	1	=		0.000	
110	K5371-34351	SPRING(CORN)	2		<=10112	0.000	
110	K5371-34352	SPRING,CORN	2	>>	>=10113	0.030	
120	K5371-34390	WASHER,LOCK	1			0.052	
130	K5371-34370	BOLT,BLADE	1			0.078	

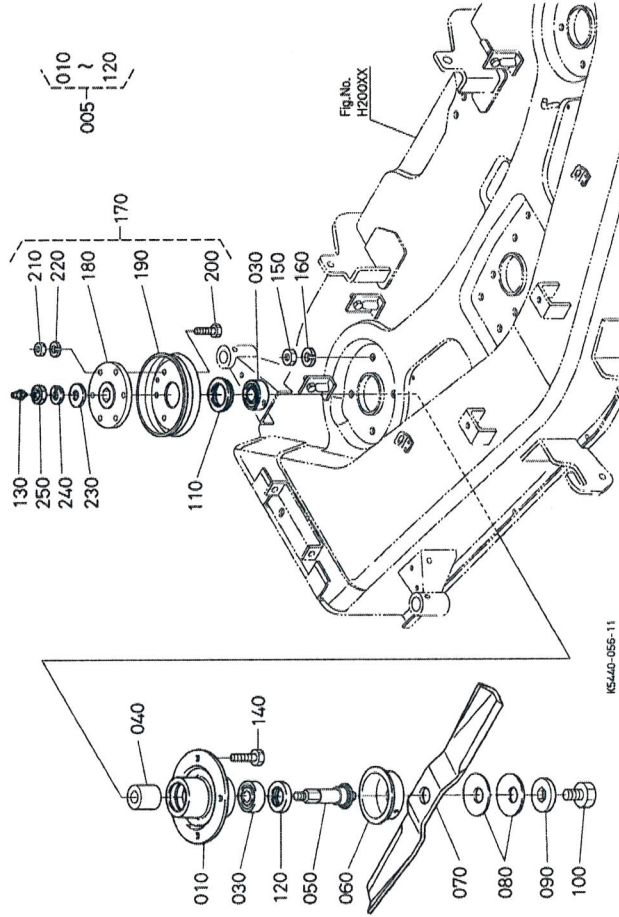


No.	Part Number	Part Name (ENG)	QTY	IC	Serial No./PIN	Kg	Remarks
005	K5351-34500	HOLDER,ASSY (PULLEY S)	1			0.000	
010	K5221-71210	HOLDER (PULLEY)	1			1.000	
030	08101-06205	BEARING,BALL	2			0.120	
040	K5221-71130	COLLAR	1			0.055	
050	K5371-34552	SHAFT,SIDE BLADE	1			0.615	
060	K5651-34310	COVER,DUST	1			0.100	
070	K5351-34331	BLADE	1			0.000	
070	K5351-34340	BLADE	1	=	<=10090	1.400	
070	K5351-34342	BLADE	1	>>	>=10091	0.000	
080	K5371-34351	SPRING(CORN)	2		<=10112	0.000	
080	K5371-34352	SPRING,CORN	2	>>	>=10113	0.030	
090	K5371-34390	WASHER,LOCK	1			0.052	
100	K5371-34370	BOLT, BLADE	1		<=10116	0.078	
100	K5371-34372	BOLT, BLADE (M12*1,25)	1	>>	>=10117	0.078	
110	K5651-34121	OIL SEAL,UPPER	1			0.000	
110	70722-34120	SEAL,OIL	1	=		0.025	
120	K5651-34161	OIL SEAL,LOWER	1			0.000	
120	70725-34162	SEAL,OIL	1	=		0.024	
130	K1122-15150	NIPPLE,GREASE	1		<=10116	0.002	
130	K1122-15152	NIPPLE (GREASE,M6*1,0)	1	>>	>=10117	0.002	
140	01073-51230	BOLT	4			0.041	
150	02074-50120	NUT	4			0.015	
160	04512-50120	WASHER,SPRING LOCK	4			0.003	
170	K5371-34590	PULLEY,ASSY (BLADE S)	1			1.400	
180	K5371-34572	BOSS SIDE PULLEY	1			0.700	
190	K5371-34580	PULLEY, BLADE SIDE	1			0.650	
200	01053-50825	HEX,BOLT	6			0.014	
210	02054-50080	HEX,NUT	6			0.005	

BKIDK5012 >> RCK54-24GUK(G2160) >> MOWER >> H03002 PULLEY HOLDER/BLADE(LEFT)

Update Date : 13-10-2016 Print Date : 17-04-2020

No.	Part Number	Part Name (ENG)	QTY	IC	Serial No./PIN	Kg	Remarks
220	75599-33012	WASHER,SPRING LOCK(S/16)	6			0.002	
230	04013-50180	WASHER,PLAIN	1			0.015	
240	04512-50180	WASHER,SPRING LOCK	1			0.015	
250	02074-50180	NUT	1			0.043	

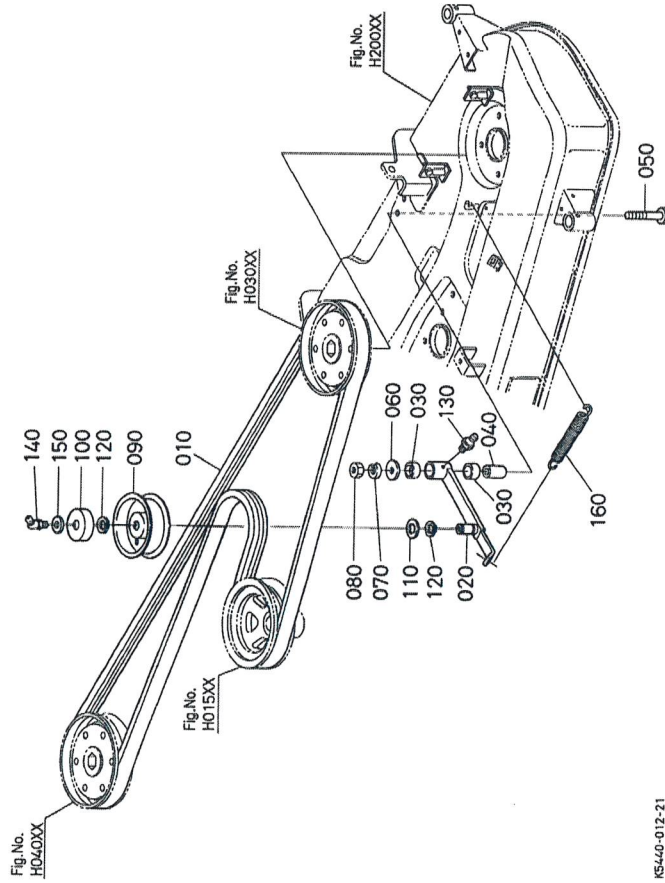


No.	Part Number	Part Name (ENG)	QTY	IC	Serial No./PIN	Kg	Remarks
005	K5351-34500	HOLDER,ASSY (PULLEY S)	1			0.000	
010	K5221-71210	HOLDER (PULLEY)	1			1.000	
030	08101-06205	BEARING,BALL	2			0.120	
040	K5221-71130	COLLAR	1			0.055	
050	K5371-34552	SHAFT,SIDE BLADE	1			0.615	
060	K5651-34310	COVER,DUST	1			0.100	
070	K5351-34331	BLADE	1			0.000	
070	K5351-34341	BLADE	1	=	<=10090	0.000	
070	K5351-34342	BLADE	1	>>	>=10091	0.000	
080	K5371-34351	SPRING(CORN)	2		<=10112	0.000	
080	K5371-34352	SPRING,CORN	2	>>	>=10113	0.030	
090	K5371-34390	WASHER,LOCK	1			0.052	
100	K5371-34370	BOLT,BLADE	1		<=10145	0.078	
100	K5371-34372	BOLT,BLADE (M12*1.25)	1	>>	>=10146	0.078	
110	K5651-34121	OIL SEAL,UPPER	1			0.000	
110	70722-34120	SEAL,OIL	1	=		0.025	
120	K5651-34161	OIL SEAL,LOWER	1			0.000	
120	70725-34162	SEAL,OIL	1	=		0.024	
130	K1122-15150	NIPPLE,GREASE	1		<=10160	0.002	
130	K1122-15152	NIPPLE (GREASE,MG*1.0)	1	>>	>=10161	0.002	
140	01073-51230	BOLT	4			0.041	
150	02074-50120	NUT	4			0.015	
160	04512-50120	WASHER,SPRING LOCK	4			0.003	
170	K5371-34590	PULLEY,ASSY (BLADE S)	1			1.400	
180	K5371-34572	BOSS SIDE PULLEY	1			0.700	
190	K5371-34580	PULLEY,BLADE SIDE	1			0.650	
200	01053-50825	HEX.BOLT	6			0.014	
210	02054-50080	HEX.NUT	6			0.005	

BKIDK5012 >> RCK54-24GU(KG2160) >> MOWER >> H04002 PULLEY HOLDER/BLADE(RIGHT)

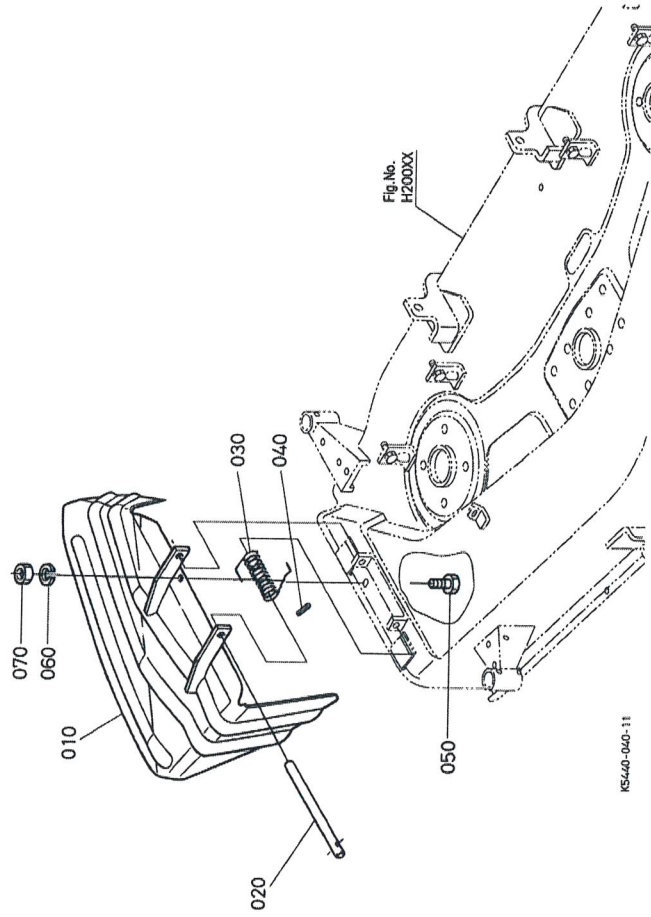
Update Date : 13-10-2016 Print Date : 17-04-2020

No.	Part Number	Part Name (ENG)	QTY	IC	Serial No./PIN	Kg	Remarks
220	75599-33012	WASHER,SPRING LOCK(5/16)	6			0.002	
230	04013-50180	WASHER,PLAIN	1			0.015	
240	04512-50180	WASHER,SPRING LOCK	1			0.015	
250	02074-50180	NUT	1			0.043	



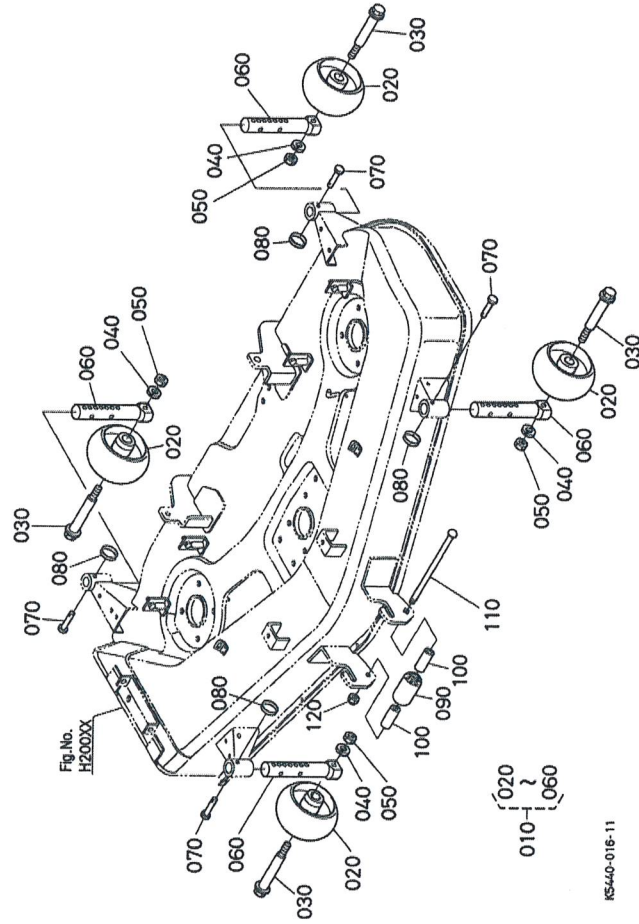
K5440-012-21

No.	Part Number	Part Name (ENG)	QTY	IC	Serial No./PIN	Kg	Remarks
010	K5351-34710	BELT,112 POLY	1			0.930	
020	K5371-34730	ARM,TENSION	1			0.570	
030	K5651-20150	BUSHING (TENSION)	2			0.017	
040	K5651-34780	COLLAR (TENSION)	1			0.055	
050	01073-51270	BOLT	1			0.060	
060	75599-32015	WASHER,PLAIN(1/2)	1			0.010	
070	04512-50120	WASHER,SPRING LOCK	1			0.003	
080	02074-50120	NUJ	1			0.015	
090	K5651-34880	PULLEY,TENSION	1			0.550	
100	K5651-34790	COVER,TENSION	1			0.020	
110	K5651-34800	SEAL (BEARING)	1		<=10163	0.001	
110	K5651-34802	SEAL (BEARING)	1	>>	>=10164	0.001	
120	04612-00170	CIR-CLIP,EXTERNAL	2			0.001	
130	K1122-15150	NIPPLE,GREASE	1		<=10160	0.002	
130	K1122-15152	NIPPLE (GREASE,1/6"1.0)	1	>>	>=10161	0.002	
140	K5371-34750	NIPPLE,GREASE	1		<=10090	0.010	
140	K5763-12100	NIPPLE (GREASE,45)	1	>>	>=10091	0.007	
140	K5763-12102	NIPPLE (GREASE,45)	1	>>	>=10164	0.007	
150	K5763-27350	SHIM,ADJUST (M6)	1			0.001	
160	K5763-34750	SPRING (TENSION)	1		<=10163	0.170	
160	K5763-34753	SPRING (TENSION)	1	>>	>=10164	0.170	



No.	Part Number	Part Name (ENG)	QTY	IC	Serial No./PIN	Kg	Remarks
010	K5651-47110	COVER,DISCHARGE	1			4.800	
020	K5651-47150	PIN,DISCHARGE	1			0.200	
030	K5651-47160	SPRING,DISCHARGE	1		<=10163	0.120	
030	K5651-47164	SPRING (DISCHARGE)	1	>>	>=10164	0.120	
040	75599-52525	PIN,SPRING	1			0.004	
050	01073-51030	BOLT	1			0.028	
060	04512-50100	WASHER,SPRING LOCK	1			0.003	
070	02018-50100	NUT	1			0.011	

No.	Part Number	Part Name (ENG)	QTY	IC	Serial No./PIN	Kg	Remarks
010	K5371-42100	GAUGE ASSY (WHEEL)	4			1.250	
020	K5371-42110	GAUGE WHEEL,5.0	4			0.460	
030	K5221-72670	BOLT (SHOULDER)	4		<=10139	0.150	
030	K5221-72672	BOLT SHOULDER	4	>>	>=10140	0.150	
040	04512-50100	WASHER,SPRING LOCK	4			0.003	
050	02014-50100	HEX NUT	4			0.011	
060	K5221-72680	PIN(GAUGE WHEEL)	4			0.650	
070	75599-51235	PIN,CLEVIS 5/16"-1.75	4			0.030	
080	K5112-72730	CIRCLIP	4		<=10163	0.010	
080	K5112-72733	RING(SNAP)	4	>>	>=10164	0.010	
090	K5112-72420	ROLLER(ANTI-SCALP)	1			0.150	
100	K5371-44310	COLLAR,WHEEL	2			0.045	
110	K5221-72650	BOLT(GAUGE)	1		<=10163	0.250	
110	K5221-72652	BOLT(GAUGE,2-2.5)	1	>>	>=10164	0.250	
120	02572-50120	NUT,LOCKING	1			0.014	



No.	Part Number	Part Name (ENG)	QTY	IC	Serial No./PIN	Kg	Remarks
010	K5221-44583	LEVER(LINK)	1		<=10090	1.340	
010	K5221-44584	LEVER,LINK	1	>>	>=10091	1.340	
020	K5410-44640	GRIP(LINK)	1			0.006	
030	K5221-44540	PIN(HINGE)	1		<=10090	0.119	
030	K5273-44540	PIN(HINGE)	1	NI	>=10091	0.000	
030	K5273-44542	PIN(HINGE)	1	>>	>=10140	0.000	
040	K5221-44550	SPRING(HINGE PIN)	1		<=10163	0.009	
040	K5221-44552	SPRING(HINGE PIN)	1	>>	>=10164	0.009	
050	75599-52532	PIN,SPRING (7/32"X1-5/8)	1		<=10090	0.005	
050	05411-00650	PIN,SPRING	1	NI	>=10091	0.006	
060	K5410-44610	LINK(FRONT)	1			0.790	
070	K5410-44620	LINK(FRONT)	1			1.500	
080	75599-51730	PIN, CLEVIS (5/8 X 1)	2			0.100	
090	75599-53194	PIN, COTTER (5/32"X1-1)	2		<=10163	0.001	
090	05511-50430	PIN,SPLIT	2	>>	>=10164	0.004	
100	02074-50160	NUT	2			0.029	
110	K1122-91940	LOCKNUT	2		<=10160	0.030	
110	K1122-91942	NUT (LOCKING,M16*1.5)	2	>>	>=10161	0.030	
120	75599-33017	WASHER,SPRING LOCK(5/8)	2			0.005	

