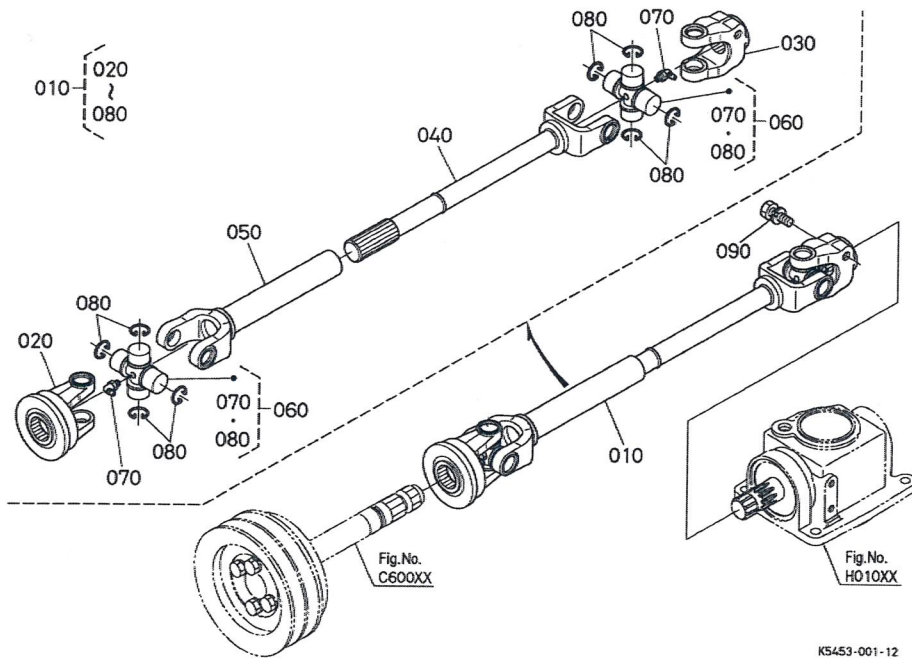
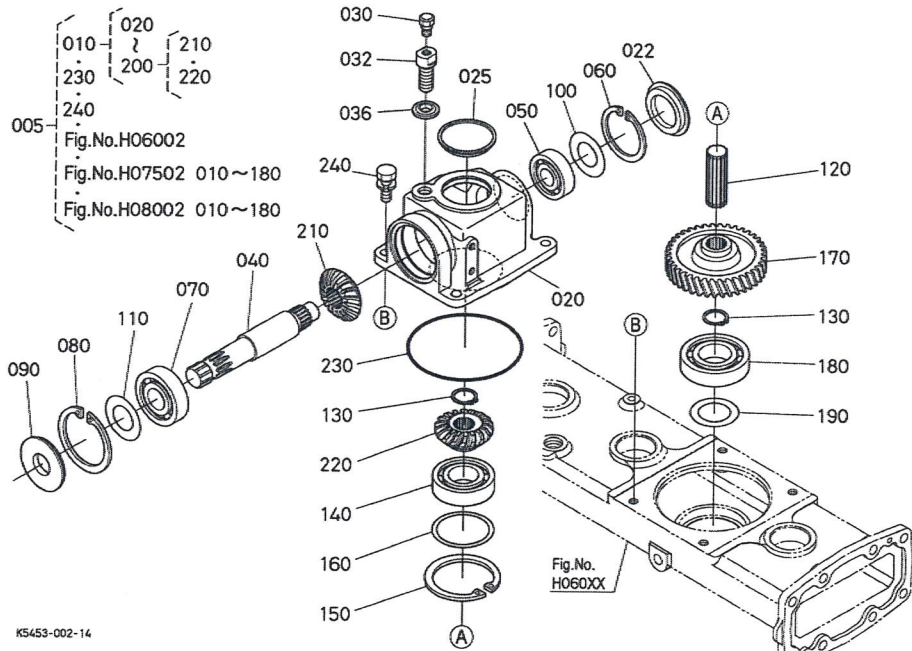


No.	Part Number	Part Name (ENG)	QTY	IC	Serial No./PIN	Kg	Remarks
010	K5453-32030	JOINT,UNIVERSAL	1			3.790	
020	76539-31150	YOKE(QUICK)	1			0.550	
030	K5371-31130	YOKE,PTO	1			0.480	
040	K5453-31190	SHAFT, JOINT	1			1.615	
050	76553-31170	YOKE,SLEEVE	1			0.780	
060	76539-31180	JOINT,ASSY (CROSS)	2			0.200	
070	76539-31210	NIPPLE,GREASE	2			0.010	
080	76539-32120	RING,SNAP	8			0.003	
090	01123-51035	BOLT,SEMS	1			0.025	

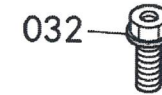




No.	Part Number	Part Name (ENG)	QTY	IC	Serial No./PIN	Kg	Remarks
005	K5453-33007	ASSY,GEARCASE C23-54	1		<=63825	45.000	
005	K5453-33010	CASE,ASSY (GEAR C23-54)	1	>>	>=63826	0.000	
010	K5453-34102	ASSY,CASE BEVEL GEAR	1		<=63825	6.350	
010	K5453-34104	ASSY,CASE BEVEL GEAR	1	>>	>=63826	6.350	
020	K5453-34142	CASE,MOWER BEVEL GEAR	1			3.050	
022	63313-32270	CAP	1			0.030	
025	63313-32270	CAP	1			0.030	
030	K5761-33252	PLUG,BREATH ER	1			0.006	
032	K5453-34150	PLUG,GEARCASE MOWER	1	<=63825		0.040	ORDER BY REF.No.032 NEW PART.
032	K5453-34152	PLUG,GEARCASE MOWER	1	>>	>=63826	0.040	
036	04717-01400	WASHER,SEAL	1			0.002	
040	K5453-33310	SHAFT,INPUT	1			0.720	
050	08101-06304	BEARING,BALL	1			0.146	
060	04611-00520	CIR-CLIP,INTERNAL	1			0.009	
070	08101-06305	BEARING,BALL	1			0.230	
080	04611-00620	CIR-CLIP,INTERNAL	1			0.011	
090	37500-16470	SEAL,OIL	1			0.055	
100	K5453-34610	SHIM 2	1			0.001	0.20mm
100	66611-14770	SHIM,PTO	1			0.001	0.30mm
100	66611-14750	SHIM 1	1			0.002	0.50mm
110	66621-15240	SHIM,DIFF GEAR 1	1			0.001	0.20mm
110	67211-14990	SHIM,DIFF_GEAR SHAFT	1			0.002	0.30mm
110	66621-15250	SHIM,DIFF GEAR 2	1			0.003	0.50mm
120	K5453-33510	SHAFT,OUTPUT	1			0.176	
130	04612-00220	CIR-CLIP,EXTERNAL	2			0.001	
140	70712-33550	BEARING,BALL	1			0.220	

No.	Part Number	Part Name (ENG)	QTY	IC	Serial No./PIN	Kg	Remarks
150	04611-00650	CIR- CLIP,INTERNAL	1			0.011	
160	K5453-34640	SHIM,65 T0.2	1			0.001	0.20mm
160	K5453-34630	SHIM,65 T0.3	1			0.001	0.30mm
160	K5453-34620	SHIM 2	1			0.003	0.50mm
170	K5453-33550	GEAR,39 R	1			0.928	39T
180	08101-06207	BEARING,BALL	1			0.280	
190	66616-32220	SHIM	1			0.005	0.20mm
190	66613-31650	SHIM	1			0.001	0.30mm
190	66616-32210	SHIM	1			0.002	0.50mm
200	K5453-33370	KIT GEAR,BEVEL	1			0.430	17-18T
210	K5453-33330	GEAR,SPIRAL	1			0.186	17T
220	K5453-33350	GEAR,SPIRAL	1			0.252	18T
230	04811-11200	RING	1			0.001	
240	01133-51025	BOLT,SEMS	4			0.023	

OLD



K2063-827-10

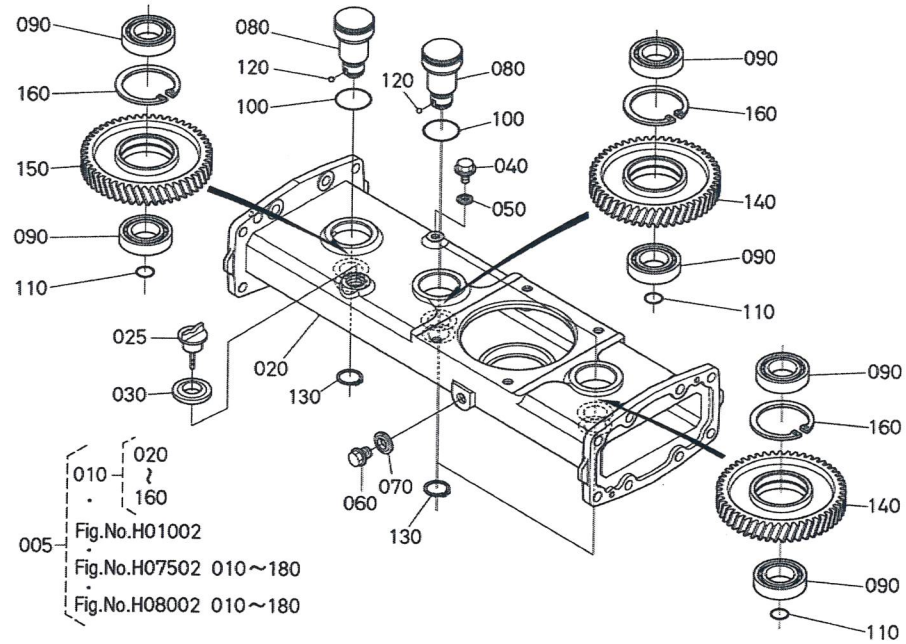
BKIDK5096 >> RCK54-G26-2 (G26-3) >> MOWER >> H01002 BEVEL GEAR CASE

Update Date : 09-11-2017 Print Date : 27-05-2020

No.	Part Number	Part Name (ENG)	QTY	IC	Serial No./PIN	Kg	Remarks
032	K5453-34150	PLUG,GEARCASE MOWER	1		<=63825	0.040	ORDER BY REF.No.032 NEW PART.
032	K5453-34152	PLUG,GEARCASE MOWER	1	>>	>=63826	0.040	

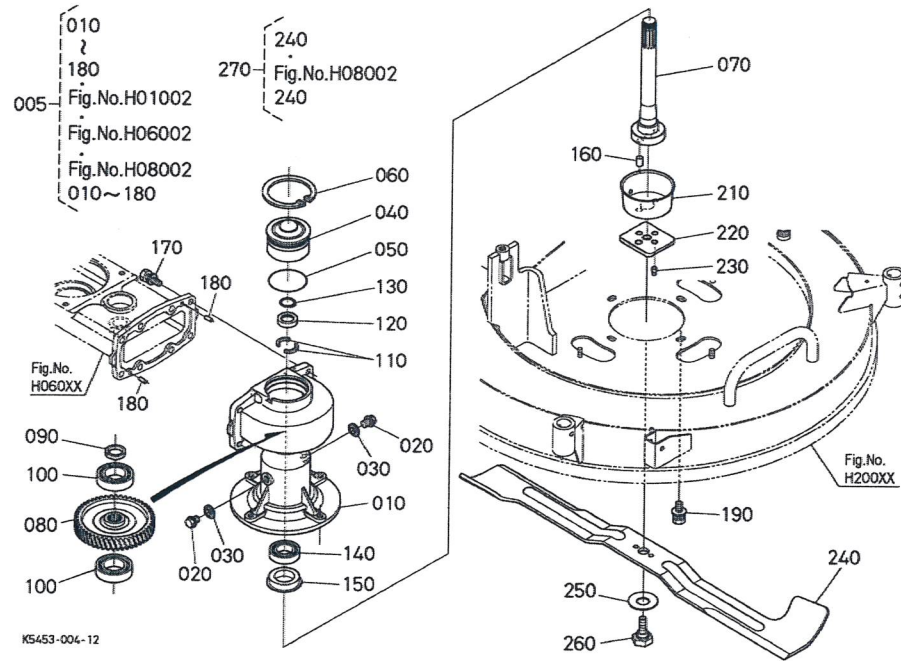
Print Date : 27-05-2020

No.	Part Number	Part Name(ENG)	Qty	Model
129	K5453-34150	SOLENOID STOP	1	B2100-HD

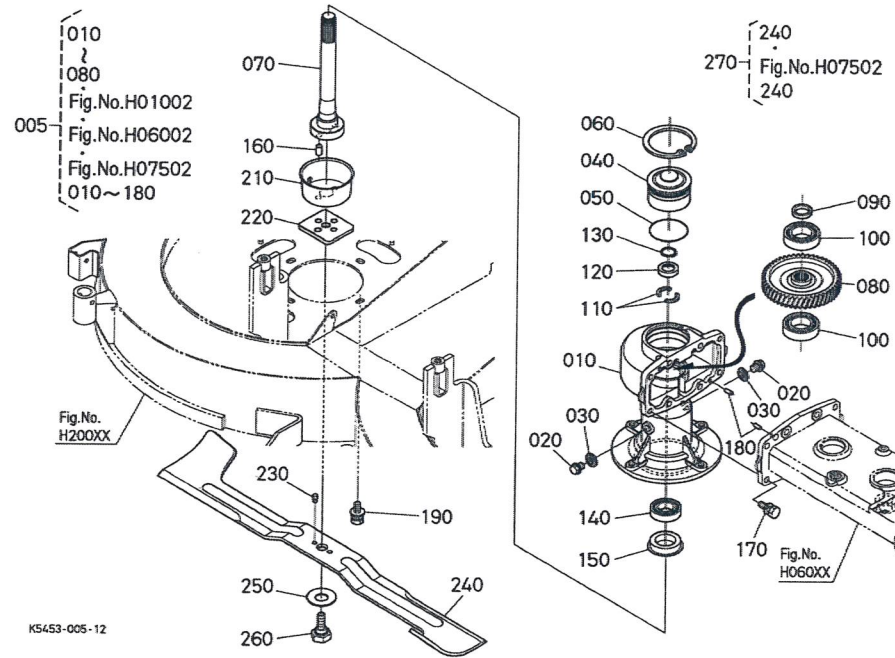


K5453-003-12

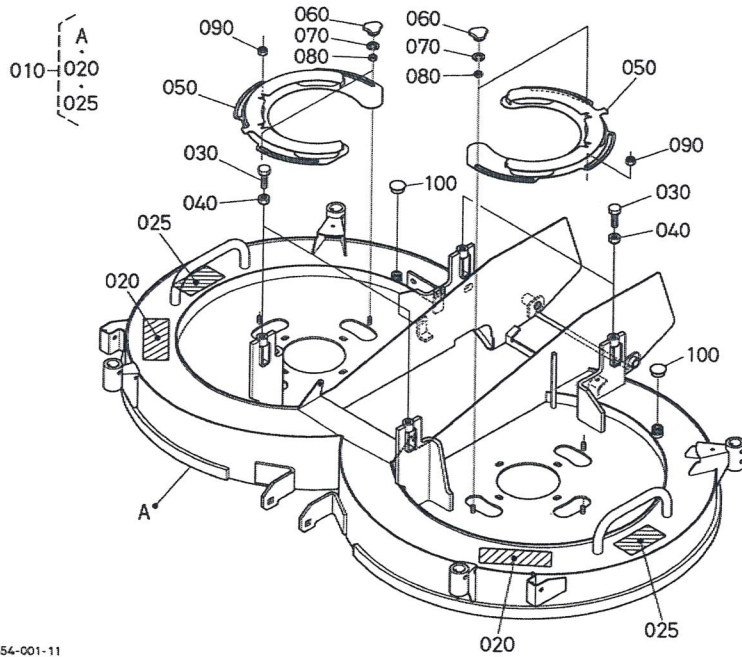
No.	Part Number	Part Name (ENG)	QTY	IC	Serial No./PIN	Kg	Remarks
005	K5453-33007	ASSY,GEARCASE C23-54	1		<=63825	45.000	
005	K5453-33010	CASE,ASSY (GEAR C23-54)	1	>>	>=63826	0.000	
010	K5453-33103	ASSY,CASE CENTER	1			17.260	
020	K5453-33112	CASE,CENTER	1			10.440	
025	K5453-34913	GAUGE,OIL	1			0.011	
030	04717-02000	WASHER,SEAL	1			0.004	
040	01754-50814	BOLT,FLANGE	1			0.012	
050	04717-00810	WASHERSEAL	1			0.001	
060	13901-33750	PLUG,DRAIN	1			0.025	
070	04717-01200	WASHER,SEAL	1			0.002	
080	K5453-33392	SHAFT,MOWER BEARING	3			0.405	
090	08101-06006	BEARING,BALL	6			0.117	
100	04817-06370	O RING	3			0.001	
110	04817-00180	O RING	3			0.001	
120	07715-03205	BALL 5/32	3			0.001	
130	04612-00220	CIR-CLIP,EXTERNAL	3			0.001	
140	K5453-33560	GEAR,BEARING 50 L	2			1.680	50T
150	K5453-33570	GEAR,BEARING 50 R	1			1.683	50T
160	04611-00550	SAFETY RING IN ASSY	3			0.010	



No.	Part Number	Part Name (ENG)	QTY	IC	Serial No./PIN	Kg	Remarks
005	K5453-33007	ASSY,GEARCASE C23-54	1		<=63825	45.000	
005	K5453-33010	CASE,ASSY (GEAR C23-54)	1	>>	>=63826	0.000	
010	K5453-34112	CASE,SPINDLE	1			6.800	
020	13901-33750	PLUG,DRAIN	2			0.025	
030	04717-01200	WASHER,SEAL	2			0.002	
040	K5453-34180	HOLDER,BEARING	1			0.603	
050	04810-50650	RING	1			0.002	
060	04611-00750	CIR-CLIP,INTERNAL	1			0.019	
070	K5453-34553	SHAFT,BLADE RH	1			1.160	LH
080	K5453-33590	GEAR,50 SPLINE R	1			1.077	50T
090	K5453-33610	COLLAR	1			0.018	
100	08101-06007	BEARING,BALL	2			0.160	
110	67156-14640	COLLAR,STOP	2			0.005	
120	K5453-34580	COLLAR,STOPPER	1			0.021	
130	04612-00220	CIR-CLIP,EXTERNAL	1			0.001	
140	K5453-34540	BEARING,BALL	1			0.094	
150	6E040-57340	SEAL,OIL	1			0.040	
160	05012-01014	PIN,STRAIGHT	2			0.009	
170	01133-51025	BOLT,SEMS	8			0.023	
180	05012-00614	PIN,STRAIGHT	2			0.004	
190	01135-51025	BOLT,W SEMS	4			0.023	
210	K5453-34310	COVER,DUST	1			0.118	
220	K5453-34573	HOLDER,PIN	1			0.274	
230	K5453-34590	PIN,BLADE	2			0.006	
240	K5453-71840	BLADE,LH	1			0.000	LH
250	K5371-34352	SPRING,CORN	1			0.030	
260	K5453-34373	BOLT (M12X1.25,RH)	1			0.100	
270	K5453-97520	KIT,BLADE 54	1			4.800	RH/LH



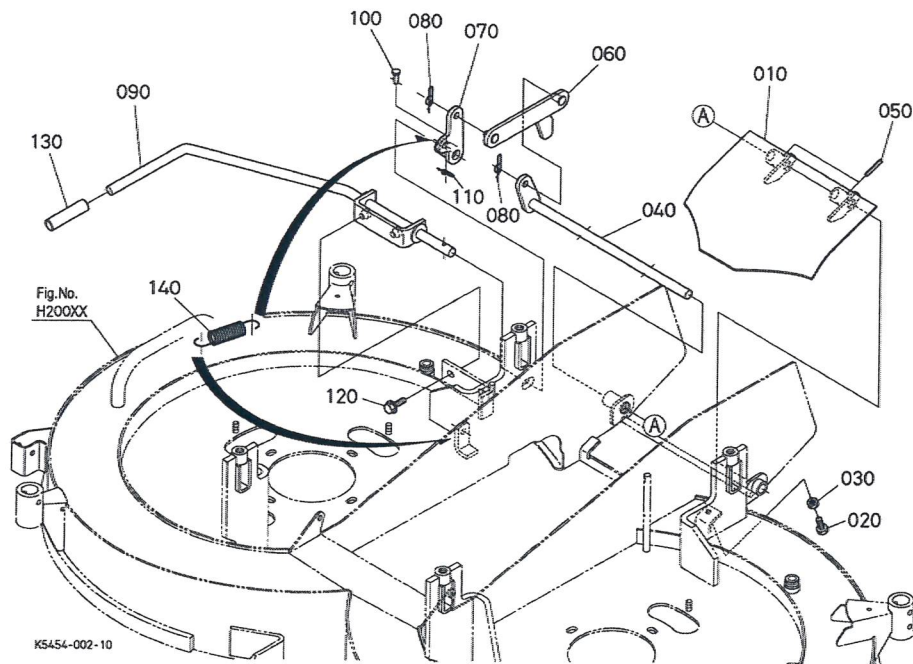
No.	Part Number	Part Name (ENG)	QTY	IC	Serial No./PIN	Kg	Remarks
005	K5453-33007	CASE,ASSY SE C23-54	1		<=63825	45.000	
005	K5453-33010	CASE,ASSY (GEAR C23-54)	1	>>	>=63826	0.000	
010	K5453-34112	CASE,SPINDLE	1			6.800	
020	13901-33750	PLUG,DRAIN	2			0.025	
030	04717-01200	WASHER,SEAL	2			0.002	
040	K5453-34180	HOLDER,BEARING	1			0.603	
050	04810-50650	RING	1			0.002	
060	04611-00750	CIR-CLIP,INTERNAL	1			0.019	
070	K5453-34563	SHAFT,BLADE LH	1			1.165	RH
080	K5453-33580	GEAR,50 SPRINE L	1			1.054	50T
090	K5453-33610	COLLAR	1			0.018	
100	08101-06007	BEARING,BALL	2			0.160	
110	67156-14640	COLLAR,STOP	2			0.005	
120	K5453-34580	COLLAR,STOP PER	1			0.021	
130	04612-00220	CIR-CLIP,EXTERNAL	1			0.001	
140	K5453-34540	BEARING,BALL	1			0.094	
150	6E040-57340	SEAL,OIL	1			0.040	
160	05012-01014	PIN,STRAIGHT	2			0.009	
170	01133-51025	BOLT,SEMS	8			0.023	
180	05012-00614	PIN,STRAIGHT	2			0.004	
190	01135-51025	BOLT,W SEMS	4			0.023	
210	K5453-34310	COVER,DUST	1			0.118	
220	K5453-34573	HOLDER,PIN	1			0.274	
230	K5453-34590	PIN,BLADE	2			0.006	
240	K5453-71850	BLADE,RH	1			0.000	RH
250	K5371-34352	SPRING,CORN	1			0.030	
260	K5453-34383	BOLT (M12X1.25,LH)	1			0.098	
270	K5453-97520	KIT,BLADE 54	1			4.800	RH/LH

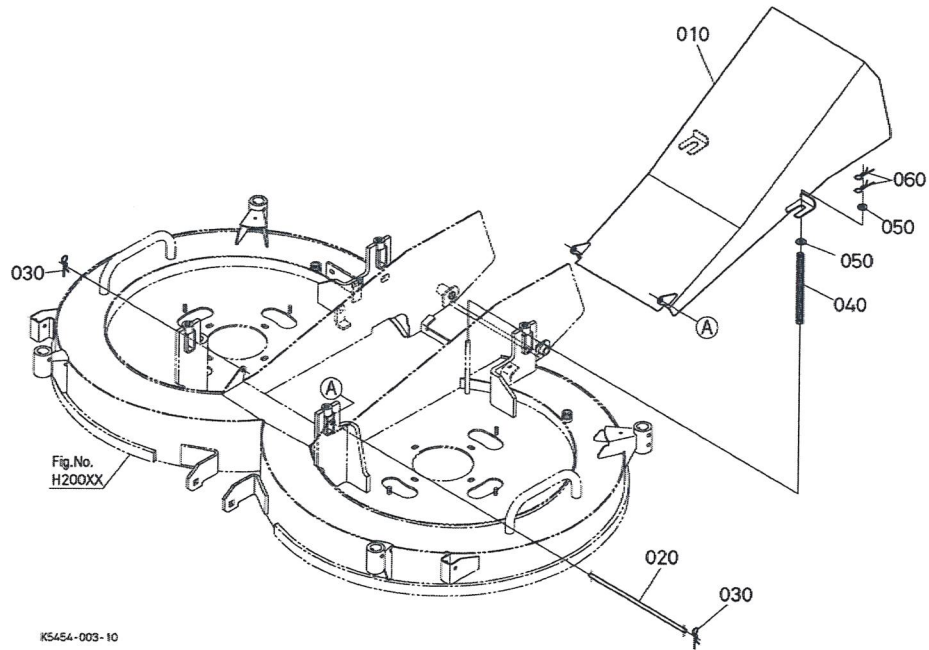


K5454-001-11

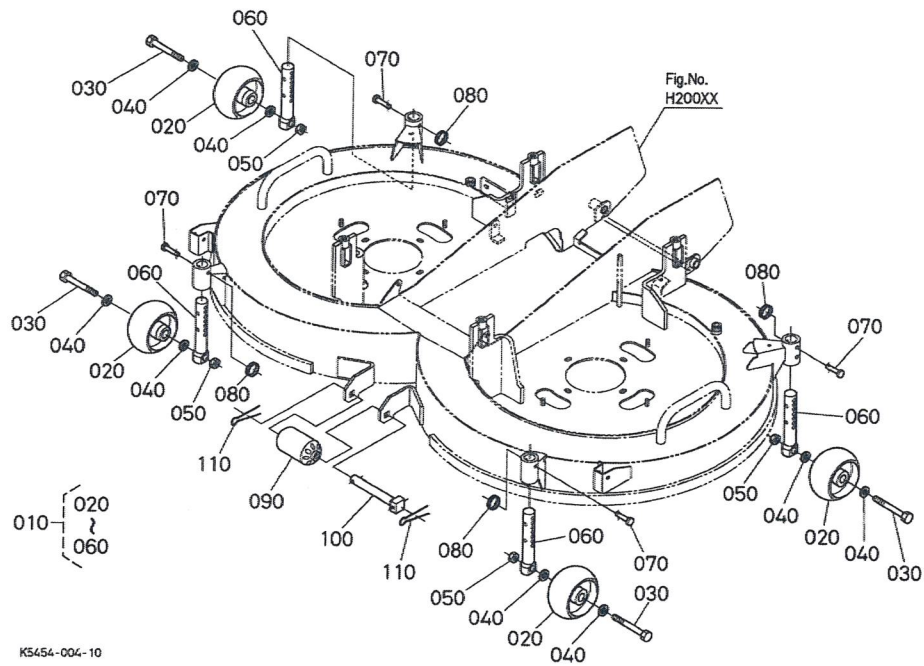
No.	Part Number	Part Name (ENG)	QTY	IC	Serial No./PIN	Kg	Remarks
010	K5454-97122	DECK,KIT (MOWER)	1			0.000	
020	K5644-41790	LABEL (WARNING 2)	2			0.003	
025	K5622-41800	LABEL (WARNING,3)	2			0.000	
030	K5645-41912	BOLT (ADJUSTER)	4			0.050	
040	02174-50120	HEX.NUT	4			0.010	
050	K5453-71753	COVER,MOWER	2			0.690	
060	02820-00080	NUT,KNOB	4			0.020	
070	04512-50080	WASHER,SPRING LOCK	4			0.002	
080	K5453-71760	COLLAR	4			0.005	
090	02552-50080	NUT,LOCKING	2			0.005	
100	K5453-71510	CAP,MOWER	2			0.006	

No.	Part Number	Part Name (ENG)	QTY	IC	Serial No./PIN	Kg	Remarks
010	K5454-71122	PLATE(JUMP)	1			1.270	
020	01153-50820	HEX.BOLT	1			0.012	
030	02112-50080	HEX.NUT	1			0.003	
040	K5454-97812	ROD(PLATE JUMP)	1			0.000	
050	05411-00430	PIN SPRING	2			0.002	
060	K5454-97924	PLATE(LINK 2)	1			0.000	
070	K5454-97930	ARM(LINK 3)	1			0.000	
080	K1211-91132	RUE-RING (COTTER)	2			0.010	
090	K5454-97940	LEVER,COMP (ROT)	1			0.000	
100	05122-50630	PIN JOINT	1			0.006	
110	K1211-91112	RUE RING COTTER	1			0.001	
120	01754-50825	BOLT,FLANGE	2			0.010	
130	K5410-71310	GRIP, MOWER	1			0.009	
140	K1310-25322	SPRING(PTO BRAKE)	1			0.060	



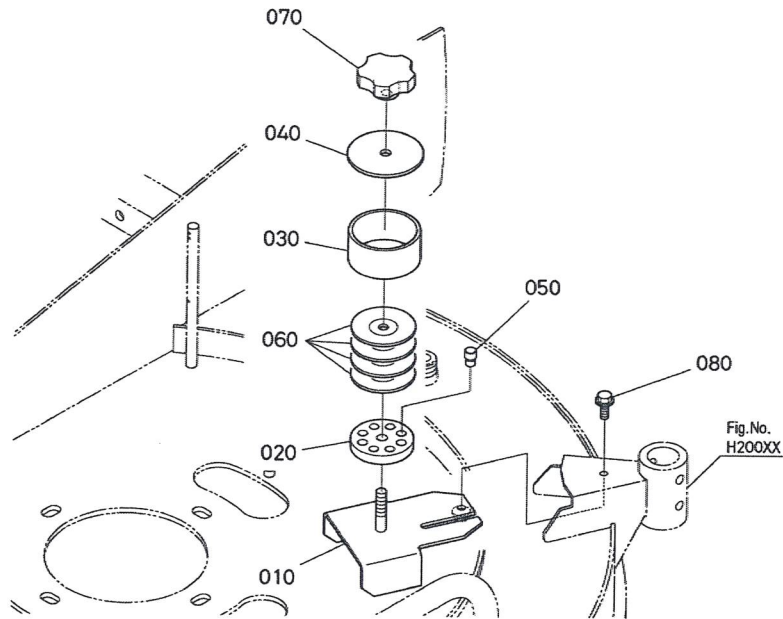


No.	Part Number	Part Name (ENG)	QTY	IC	Serial No./PIN	Kg	Remarks
010	K5453-72724	COVER,DUCT FRONT	1			0.000	
020	K5453-72732	PIN(MOWER COVER)	1			0.000	
030	05525-51000	PIN SNAP	2			0.002	
040	K5453-72750	SPRING,MOWER	2			0.020	
050	04015-50100	WASHER,PLAIN	4			0.016	
060	05525-51000	PIN SNAP	4			0.002	



K5454-004-10

No.	Part Number	Part Name (ENG)	QTY	IC	Serial No./PIN	Kg	Remarks
010	K5645-42200	ASSY,GAUGE WHEEL	4			1.320	
020	K5371-42110	GAUGE WHEEL,5.0	4			0.460	
030	01073-51602	BOLT	4			0.210	
040	04013-50160	WASHER,PLAIN	8			0.011	
050	02072-50160	NUT	4			0.022	
060	K5645-72682	PIN,GAUGE WHEEL	4			0.620	
070	75599-51235	PIN,CLEVIS 5/16*1.75	4			0.030	
080	K3111-72742	RING(SNAP)	4			0.010	
090	K5112-72420	ROLLER(ANTI-SCALP)	1			0.150	
100	K5112-72653	PIN,GAUGE 2.5	1			0.300	
110	75599-53173	PIN,COTTER (1/8*1)	2			0.002	



K5453-009-11

No.	Part Number	Part Name (ENG)	QTY	IC	Serial No./PIN	Kg	Remarks
010	K5453-72112	STAY,HOLDER SPARE	1			0.255	
020	K5453-72120	RUBBER,HOLDER	1			0.015	
030	K5453-72130	PIPE,HOLDER SPARE	1			0.120	
040	K5453-72140	PLATE,HOLDER SPARE	1			0.065	
050	K5453-34590	PIN,BLADE	8			0.006	SPARE PARTS
060	K5371-34352	SPRING,CORN	4			0.030	SPARE PARTS
070	K2561-57170	NUT,KNOB	1			0.015	
080	01754-50616	BOLT,FLANGE	1			0.006	