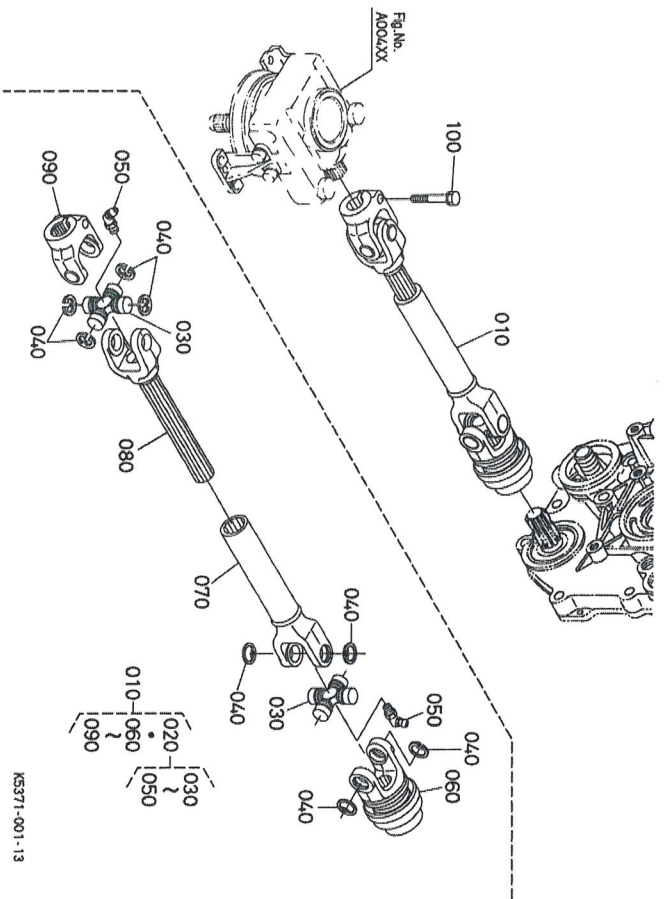
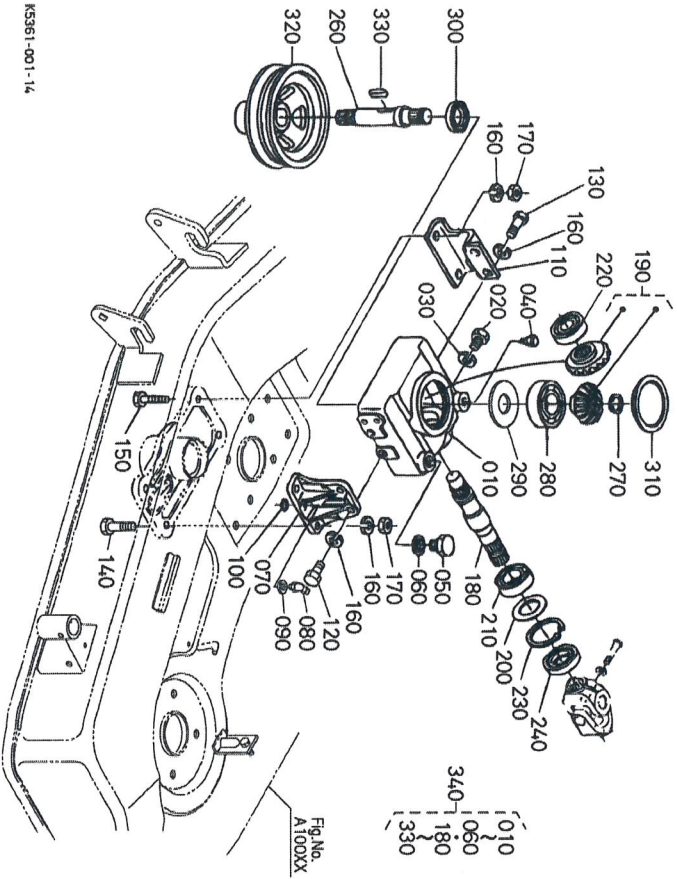


K5371-001-12

No.	Part Number	Part Name (ENG)	QTY	IC	Serial No./PIN	Kg	Remarks
010	K5371-32030	UNIVERSAL JOINT	1			3.500	
020	76539-31150	YOKE(QUICK)	1			0.550	
030	K5371-31130	YOKE PTO	1			0.480	
040	76539-31140	SHAFT JOINT	1			1.210	
050	76539-31170	YOKE SLEEVE	1			0.650	
060	76539-31180	JOINT ASSY (CROSS)	2			0.200	
070	76539-31210	NIPPLE GREASE	2			0.010	
080	76539-32120	RING SNAP	8			0.003	
090	01123-51035	BOLT SEMS	1			0.025	



No.	Part Number	Part Name (ENG)	QTY	IC	Serial No./PIN	Kg	Remarks
010	K5381-32030	JOINT UNIV ASSY	1			3.350	
020	K5646-31180	ASSY JOINT CROSS	2			0.250	
030	K5646-31220	JOINT CROSS	2			0.235	
040	K5646-32120	RING SNAP	8			0.001	
050	70720-31212	NIPPLE GREASE	2			0.006	
050	H6660-99100	NIPPLE GREASE	2	>>		0.006	
060	K5646-31150	YOKE QUICK	1			0.550	
070	K5381-31160	YOKE(SLEEVE)	1			0.767	
080	K5381-31140	YOKE(SHAFT)	1			1.151	
090	K5646-31130	YOKE PTO	1			0.400	
100	01123-51035	BOLTS SEMS	1			0.025	

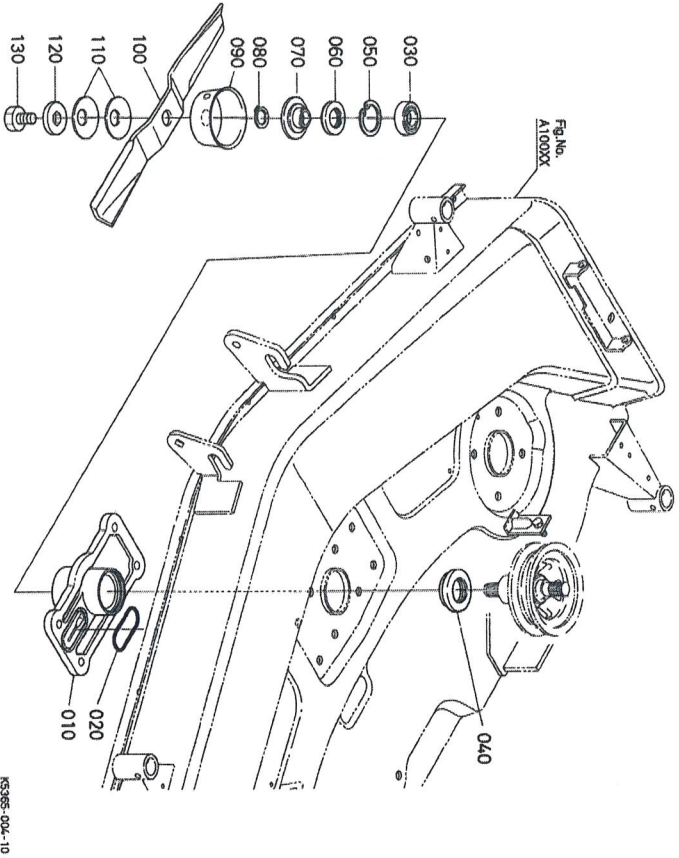


No.	Part Number	Part Name (ENG)	QTY	IC	Serial No./PIN	Kg	Remarks
010	K5381-33110	CASE,BEVEL GEAR	1			3.760	
020	01153-50812	HEX.BOLT	2			0.008	
030	04717-00800	WASHER,SEAL	2			0.001	
040	K5761-33252	PLUG,BREATH ER	1			0.006	
050	06331-35016	PLUG	1			0.040	
060	04711-00300	PACKING	1			0.001	
070	K5371-33133	STAY,CASE LH	1			0.220	
080	K5763-44250	NIPPLE (GREASE,45°)	1		<=10110	0.010	45DEG.
080	K5763-44252	NIPPLE (GREASE,45°)	1	>>	>=10111	0.010	45DEG.
090	K5763-27340	SHIM,ADJUST	1			0.001	
100	04816-06120	O RING	1			0.002	
110	K5763-33150	STAY,CASE RH	1			0.530	
120	K5763-33210	BOLT,REAMER 30	2			0.040	
130	01073-51225	BOLT	2			0.035	
140	K5763-33230	BOLT,REAMER	2		<=10110	0.045	
140	K5763-33232	BOLT (REAMER,35)	2	>>	>=10111	0.045	
150	01073-51235	HEX BOLT	2			0.045	
160	04512-60120	WASHER,SPRI NG	8			0.005	
170	02074-50120	NUT	4			0.015	
180	K5763-33310	SHAFT,PINION	1			0.660	
190	K5763-33320	KIT GEAR,BEVEL	1			0.450	17-18T
200	36330-28420	SHIM 0.2	2			0.002	0.2mm
200	36330-28410	SHIM 0.3	2			0.002	0.3mm
210	08101-06205	BEARING,BALL	1			0.120	
220	08101-06304	BEARING,BALL	1			0.146	
230	04611-00520	CLR-CLIP,INTERNAL	1			0.009	
240	76335-33440	SEAL,OIL	1			0.020	
260	K5371-33500	SHAFT, BLADE CENTER	1			0.540	
270	04612-00220	CLR-CLIP,EXTERNAL	1			0.001	
280	70712-33550	BEARING,BALL	1			0.220	

K5361-001-14

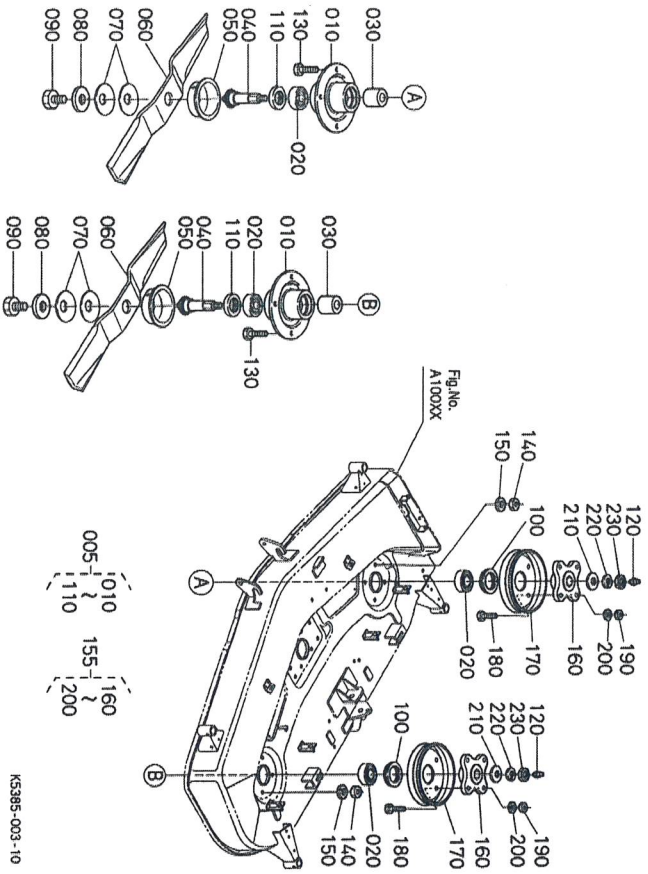
No.	Part Number	Part Name (ENG)	QTY	IC	Serial No./P/N	Kg	Remarks
290	70712-33570	SHIM	1			0.001	0.1mm
290	76539-33410	SHIM	1			0.001	0.2mm
300	K5761-33540	SEAL,OIL	1			0.010	
310	7C765-51260	CAP	1			0.070	
320	K5371-33520	PULLY,CENTE R	1			1.780	
330	05712-00728	KEY,FEATHER	1			0.010	
340	K5381-33103	ASSY,CASE BEVEL GEAR	1			8.250	

No.	Part Number	Part Name(ENG)	QTY	Model
010	K5700-34712	MULTI BELT, 104 POLY	1	RCK48-23BX-EU
060	K5182-71840	BLADE,48L-BLOW LIFT K138	2	RCK48-23BX-EU
010	K5182-72410	GAUGE WHEEL	2	RCK48-23BX-EU
030	K5182-72660	BOSS, GAUGE WHEEL	2	RCK48-23BX-EU
010	K5351-34710	BELT, 112 POLY	1	RCK54-23BX-EU
090	K5651-34880	PULLEY, TENSION	1	RCK54-23BX-EU
160	K5763-34753	SPRING(TENSION)	1	RCK54-23BX-EU
060	K5351-34342	BLADE	2	RCK54-23BX-EU
080	K5371-34392	WASHER(LOCK)	2	RCK54-23BX-EU
070	K5371-34352	SPRING,CORN	4	RCK54-23BX-EU
050	K5651-34310	COVER,DUST	2	RCK54-23BX-EU
030	K5221-72672	BOLT, SHOULDER	4	RCK54-23BX-EU
010	K5763-34712	BELT, MULTI 119	1	RCK60B23BX-EU
090	K5651-34880	PULLEY, TENSION	1	RCK60B23BX-EU
060	K5371-34340	BLADE	2	RCK60B23BX-EU
090	K5371-34372	BOLT, BLADE(M12*1.25)	2	RCK60B23BX-EU
080	K5371-34392	WASHER(LOCK)	2	RCK60B23BX-EU
020	K5351-42110	ROLLER,ASSY ANTI- SCALP	4	RCK60B23BX-EU
030	K5221-72672	BOLT, SHOULDER	4	RCK60B23BX-EU
090	K5651-34880	PULLEY, TENSION	1	RCK60-23BX-EU-F(B2350 S.No.>=60001)

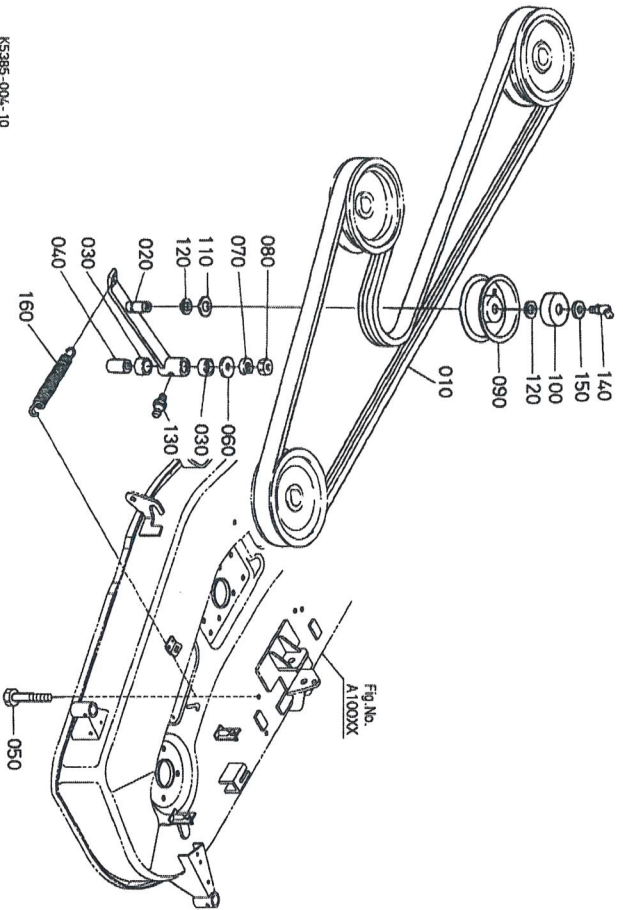


K5395-00L-10

No.	Part Number	Part Name (ENG)	QTY	IC	Serial No./PIN	Kg	Remarks
010	K5371-34113	HOLDER,PULL EY CENTER	1			1.200	
020	04816-00500	O RING	1			0.003	
030	08101-06205	BEARING,BALL	1			0.120	
040	70722-34120	SEAL,OIL	1			0.025	
050	04611-00520	CIR-CLIP,INTERNAL	1			0.009	
060	70725-34162	SEAL,OIL	1			0.024	
070	K5761-34152	BOSS,SPUNE	1			0.280	
070	K5651-34140	BOSS(SPUNE)	1	=		0.280	
080	04612-00220	CIR-CLIP,EXTERNAL	1			0.001	
090	K5651-34310	COVER,DUST	1			0.100	
100	K5371-34340	BLADE	1			1.500	60C-H20
110	K5371-34352	SPRING,CORN	2			0.030	
120	K5371-34390	WASHER,LOCK	1		<=10229	0.052	
120	K5371-34392	WASHER (LOCK)	1	>>	>=10230	0.000	
130	K5371-34372	BOLT,BLADE (M12*1.25)	1			0.078	

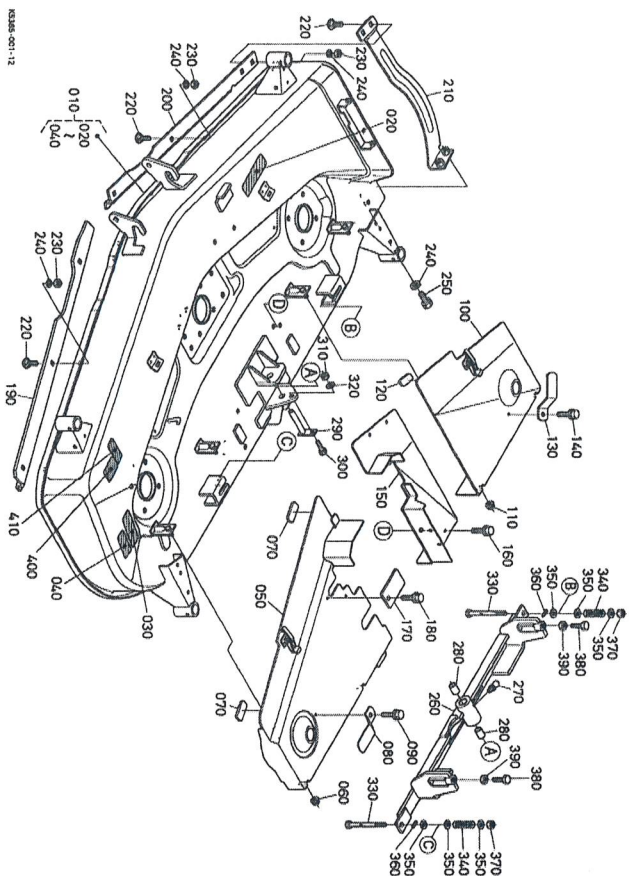


No.	Part Number	Part Name (ENG)	QTY	IC	Serial No./PIN	Kg	Remarks
005	K5371-34500	ASSY,HOLDER PULLEYS	2			1.360	
010	K5221-71210	HOLDER (PULLEY)	2			1.000	
020	08101-06205	BEARING BALL	4			0.120	
030	K5221-71130	COLLAR	2			0.055	
040	K5371-34552	SHAFT,SIDE BLADE	2			0.615	
050	K5651-34310	COVER,DUST	2			0.100	
060	K5371-34340	BLADE	2			1.500	60C-H20
070	K5371-34352	SPRING,CORN	4			0.030	
080	K5371-34390	WASHER,LOCK	2			0.052	
080	K5371-34392	WASHER (LOCK)	2	>>		0.000	
090	K5371-34372	BOLT,BLADE (M12*1.25)	2			0.078	M12*1.25
100	70722-34120	SEAL,OIL	2			0.025	
110	70725-34162	SEAL,OIL	2			0.024	
120	K1122-15150	NIPPLE (GREASE,M6*1.0)	2			0.002	M6*1.0
120	K1122-15152	NIPPLE (GREASE,M6*1.0)	2	>>		0.002	M6*1.0
130	01073-51230	BOLT	8			0.041	
140	02074-50120	NUT	8			0.015	
150	04512-60120	WASHER SPRING	8			0.005	
155	K5381-34592	PULLEY,ASSY (BLADE S)	2			0.000	
160	K5381-34570	BOSS,SIDE PULLEY	2			0.000	
170	K5385-34580	PULLEY(SIDE)	2			0.000	
180	01153-50825	HEX,BOLT	8			0.012	
190	02054-50080	HEX,NUT	8			0.005	
200	75599-33012	WASHER SPRING LOCK(6/16)	8			0.002	5/16
210	04013-50180	WASHER,PLAIN	2			0.015	
220	04512-60180	WASHER SPRING	2			0.020	
230	02074-50180	NUT	2			0.043	



K5396-004-10

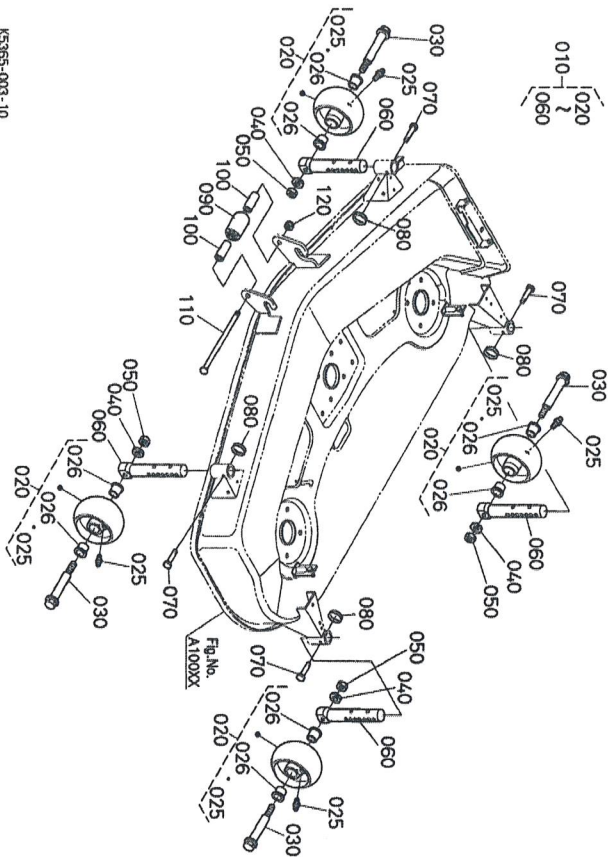
No.	Part Number	Part Name (ENG)	QTY	IC	Serial No./PIN	Kg	Remarks
010	K5763-34712	BELT, MULTI 119	1			0.890	
020	K5371-34730	ARM TENSION	1			0.570	
030	K5651-20150	BUSHING TENSION #12KU10	2			0.017	
040	K5651-34780	COLLAR (TENSION)	1			0.055	
050	01073-51270	BOLT	1			0.060	
060	75599-32015	WASHER,PLAIN(1/2)	1			0.010	1/2
070	04512-60120	WASHER,SPRING	1			0.005	
080	02074-50120	NUT	1			0.015	
090	K5651-34880	PULLEY,TENSION	1			0.550	
100	K5651-34790	COVER,TENSION	1			0.020	
110	K5651-34800	SEAL (BEARING)	1		<=10143	0.001	
110	K5651-34802	SEAL (BEARING)	1	>>	>=10144	0.001	
120	04612-00170	CIR-CLIP EXTERNAL	2			0.001	
130	K1122-15150	NIPPLE,GREASE	1		<=10026	0.002	M6*1.0
130	K1122-15152	NIPPLE (GREASE,M6*1.0)	1	>>	>=10027	0.002	M6*1.0
140	K5763-12100	NIPPLE (GREASE,45)	1		<=10143	0.007	45DEG.
140	K5763-12102	NIPPLE (GREASE,45)	1	>>	>=10144	0.007	45DEG.
150	K5763-27350	SHIM,ADJUST (M8)	1			0.001	M8
160	K5763-34750	SPRING (TENSION)	1		<=10230	0.170	
160	K5763-34753	SPRING (TENSION)	1	>>	>=10231	0.170	



No.	Part Number	Part Name (ENG)	QTY	IC	Serial No./PIN	Kg	Remarks
010	K5385-43100	ASSY DECK MOWER	1			0.000	
020	K5652-41780	LABEL,WARNIN G	1			0.010	
030	K5652-41793	LABEL,WARNIN G 2	1			0.006	
040	K5652-41800	LABEL,WARNIN G	1			0.001	
050	K5385-41180	COVER,LH	1			0.000	
060	02121-50080	NUT	2			0.010	
070	K1122-57163	PLATE,RUBBE R	2			0.001	
080	K5365-72750	COVER,NIPPLE	1			0.000	
090	01754-50812	BOLT,FLANGE	1			0.010	
100	K5385-41200	COVER,RH	1			0.000	
110	02121-50080	NUT	2			0.010	
120	K1122-57163	PLATE,RUBBE R	1			0.001	
130	K5365-72750	COVER,NIPPLE	1			0.000	
140	01754-50812	BOLT,FLANGE	1			0.010	
150	K5385-41192	COVER,CENTE R	1			0.000	
160	01754-50816	BOLT,FLANGE	3			0.011	
170	K5582-41220	PLATE	1			0.000	
180	01754-50816	BOLT,FLANGE	1			0.011	
190	K5763-41210	PLATE,FRONT LH	1			0.880	
200	K5763-41220	PLATE,FRONT RH	1			0.880	
210	K5763-41230	PLATE,DISCHARGE	1			0.820	
220	K1122-91320	BOLT,SHORT SOU. NECK (M8*1,25)	7			0.010	
230	02054-50080	HEX NUT	7			0.005	
240	75599-33012	WASHER SPRING LOCK(5/16)	9			0.002	5/16
250	01153-50816	HEX BOLT	2			0.010	
260	K5385-51110	BALANCER	1			0.000	
270	K1122-15150	NIPPLE,GREASE	1			0.002	M6*1.0

No.	Part Number	Part Name (ENG)	QTY	IC	Serial No./PIN	Kg	Remarks
270	K1122-15152	NIPPLE (GREASE, M6*1.0)	1	>>	>=10027	0.002	M6*1.0
280	K5371-51140	BUSHING(FB)	2			0.010	
290	K5371-51122	PIN(CENTER MOWER)	1			0.165	
300	75599-04325	HEX BOLT(3/8-24UNF*1.1/4 GR8)	1			0.022	
310	75599-31023	HEX NUT(3/8-24UNF)	1			0.006	
320	75599-33013	LOCKWASHER 3/8" PTD	1			0.006	
330	K5371-51150	BOLT	2		<=10143	0.063	
330	K5371-51152	BOLT	2	>>	>=10144	0.063	
340	K5371-51160	SPRING	2		<=10143	0.060	
340	K5371-51162	SPRING	2	>>	>=10144	0.060	
350	75599-32113	FLATWASHER 3/8	6			0.010	
360	75599-52220	PIN,SPRING	2			0.002	
370	75599-31923	NUT,LOCKING (3/8-24UNF)	2			0.007	3/8-24UNF
380	K5645-41910	BOLT (ADJUSTER)	2		<=10143	0.050	
380	K5645-41912	BOLT (ADJUSTER)	2	>>	>=10144	0.050	
390	02174-50120	HEX NUT	2			0.010	
400	K5125-73130	LABEL,ANTI-SCALP	1			0.000	
410	K5826-41820	LABEL (LUBRICATION)	1		>=10104	0.000	

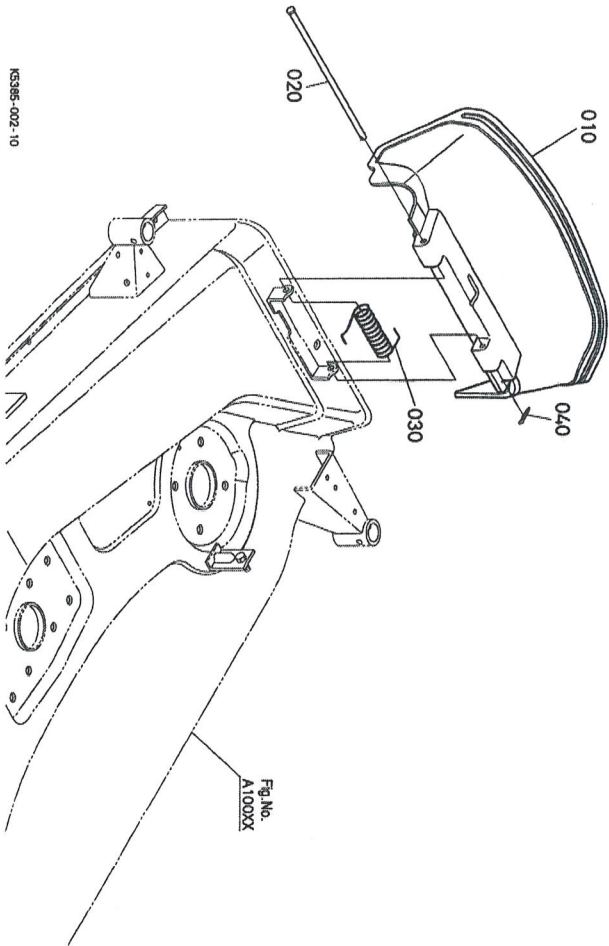
No.	Part Number	Part Name(ENG)	Qty	Model
010	K5700-34712	MULTI BELT, 104 POLY	1	RCK48-23BX-EU
060	K5182-71840	BLADE,48L-B LOW LIFT K138	2	RCK48-23BX-EU
010	K5182-72410	GAUGE WHEEL	2	RCK48-23BX-EU
030	K5182-72660	BOSS, GAUGE WHEEL	2	RCK48-23BX-EU
010	K5351-34710	BELT, 112 POLY	1	RCK54-23BX-EU
090	K5651-34880	PULLEY, TENSION	1	RCK54-23BX-EU
160	K5763-34753	SPRING(TENSION)	1	RCK54-23BX-EU
060	K5351-34342	BLADE	2	RCK54-23BX-EU
080	K5371-34392	WASHER(LOCK)	2	RCK54-23BX-EU
070	K5371-34352	SPRING,CORN	4	RCK54-23BX-EU
050	K5651-34310	COVER,DUST	2	RCK54-23BX-EU
030	K5221-72672	BOLT, SHOULDER	4	RCK54-23BX-EU
010	K5763-34712	BELT, MULTI 119	1	RCK60B23BX-EU
090	K5651-34880	PULLEY, TENSION	1	RCK60B23BX-EU
080	K5371-34340	BLADE	2	RCK60B23BX-EU
090	K5371-346372	BOLT, BLADE(M12*1.25)	2	RCK60B23BX-EU
080	K5371-344392	WASHER(LOCK)	2	RCK60B23BX-EU
020	K5351-42110	ROLLER ASSY ANTI-SCALP	4	RCK60B23BX-EU
030	K5221-72672	BOLT, SHOULDER	4	RCK60B23BX-EU
090	K5651-34880	PULLEY, TENSION	1	RCK60-23BX-EU-F(B2350 S.No.>=60001)



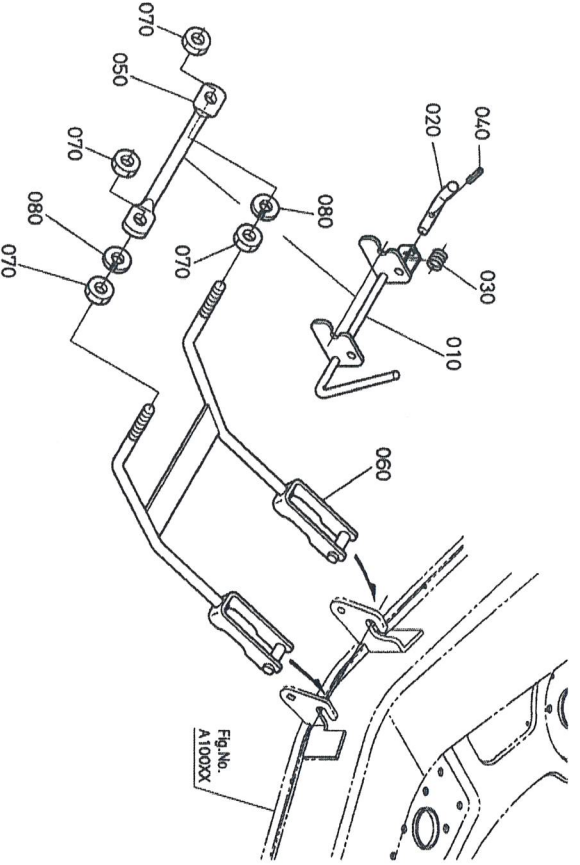
K5365-003-10

No.	Part Number	Part Name (ENG)	QTY	IC	Serial No./PIN	Kg	Remarks
010	K5351-42100	ASSY,ANTI-SCALP	4			0.000	
020	K5351-42110	ROLLER ASSY ANTI-SCALP	4			0.000	
025	75599-81521	FITTING,GREA SE(1/4-28T.I.*68)	4			0.003	1/4-28T.I.*68
026	K5351-44190	BUSHING,GAUGE	8			0.000	
030	K5221-72672	BOLT, SHOULDER	4			0.150	
040	04512-60100	WASHER,SPRING	4			0.002	
050	02014-50100	HEX NUT	4			0.011	
060	K5221-72680	PIN,GAUGE WHEEL	4			0.650	
070	75599-51235	PIN,CLEVIS 5/16*1.75	4			0.030	5/16*1.75
080	K3111-72740	RING(SNAP)	4		<=10229	0.010	
080	K3111-72742	RING(SNAP)	4	>>	>=10230	0.010	
090	K5112-72420	ROLLER(ANTI-SCALP)	1			0.150	
100	K5371-44310	COLLAR,WHEEL	2		<=10236	0.045	
100	K5371-44312	COLLAR (WHEEL 2.5)	2	>>	>=10237	0.045	
110	K5221-72650	BOLT(GAUGE)	1		<=10143	0.250	
110	K5221-72652	BOLT(GAUGE,2-2.5)	1	>>	>=10144	0.250	
120	02572-50120	NUT,LOCKING	1			0.014	

No.	Part Number	Part Name (ENG)	QTY	IC	Serial No./PIN	Kg	Remarks
010	K5381-47112	COVER, DISCHARGE	1			0.000	
020	K5617-47152	PIN,COVER	1			0.000	
030	K5112-72130	SPRING (COVER)	1		<=10103	0.050	
030	K5112-72132	SPRING (COVER)	1	>>	>=10104	0.050	
040	75599-53152	PIN,COTTER (3/32*3/4)	1			0.001	3/32*3/4



K5386-002-10



K5362-008-11

No.	Part Number	Part Name (ENG)	QTY	IC	Serial No./PIN	Kg	Remarks
010	K5371-44583	LEVER LINK	1			0.000	
020	K5763-44542	PIN FRONT	1			0.160	
030	K5763-44560	SPRING PIN FRONT	1		<=10107	0.010	
030	K5763-44562	SPRING/PIN FRONT	1	>>	>=10108	0.010	
040	75599-52532	PIN SPRING (7/32*1.5/8)	1			0.005	7/32*15/8
050	K5371-44610	LINK FRONT 1	1			0.560	
060	K5381-44622	LINK FRONT 2	1			0.000	
070	02074-50160	NUT	4			0.029	
080	75599-33017	LOCKWASHER 5/8" PTD	2			0.005	

No.	Part Number	Part Name(ENG)	Qty	Model
010	K5700-34712	MULTI BELT, 104 POLY	1	RCK48-23BX-EU
060	K5182-71840	BLADE 48L-B LOW LIFT K138	2	RCK48-23BX-EU
010	K5182-72410	GAUGE WHEEL	2	RCK48-23BX-EU
030	K5182-72660	BOSS, GAUGE WHEEL	2	RCK48-23BX-EU
010	K5351-34710	BELT, 112 POLY	1	RCK54-23BX-EU
090	K5651-34880	PULLEY,TENSION	1	RCK54-23BX-EU
160	K5763-34753	SPRING(TENSION)	1	RCK54-23BX-EU
060	K5351-34342	BLADE	2	RCK54-23BX-EU
080	K5371-34392	WASHER(LOCK)	2	RCK54-23BX-EU
070	K5371-34352	SPRING,CORN	4	RCK54-23BX-EU
050	K5651-34310	COVER,DUST	2	RCK54-23BX-EU
030	K5221-72672	BOLT, SHOULDER	4	RCK54-23BX-EU
010	K5763-34712	BELT, MULTI 119	1	RCK60B23BX-EU
090	K5651-34880	PULLEY,TENSION	1	RCK60B23BX-EU
060	K5371-34340	BLADE	2	RCK60B23BX-EU
090	K5371-34372	BOLT, BLADE(M12*1.25)	2	RCK60B23BX-EU
080	K5371-34392	WASHER(LOCK)	2	RCK60B23BX-EU
020	K5351-42110	ROLLER,ASSY ANTI- SCALP	4	RCK60B23BX-EU
030	K5221-72672	BOLT, SHOULDER	4	RCK60B23BX-EU
090	K5651-34880	PULLEY,TENSION	1	RCK60-23BX-EU-F(B2350 S.No.>=>60001)