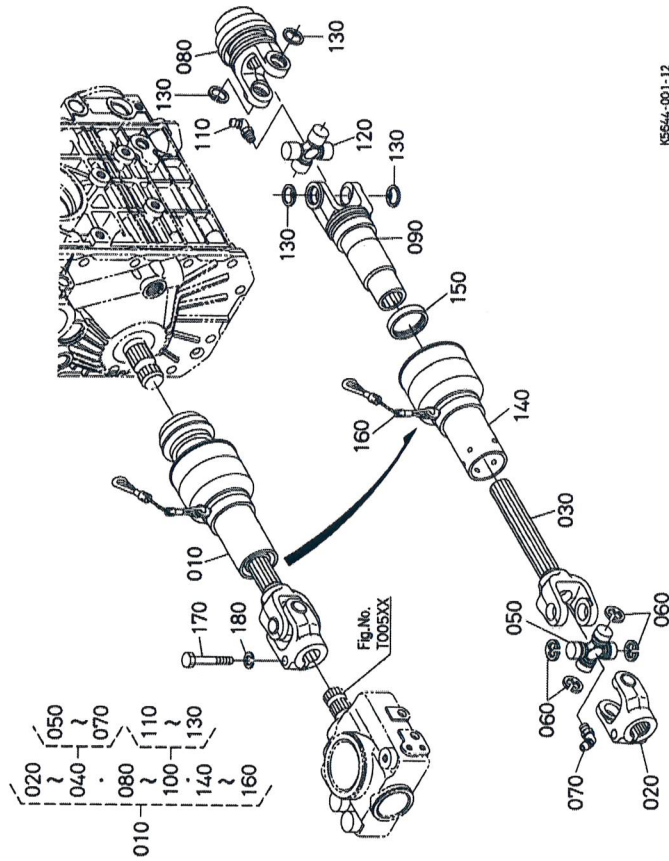
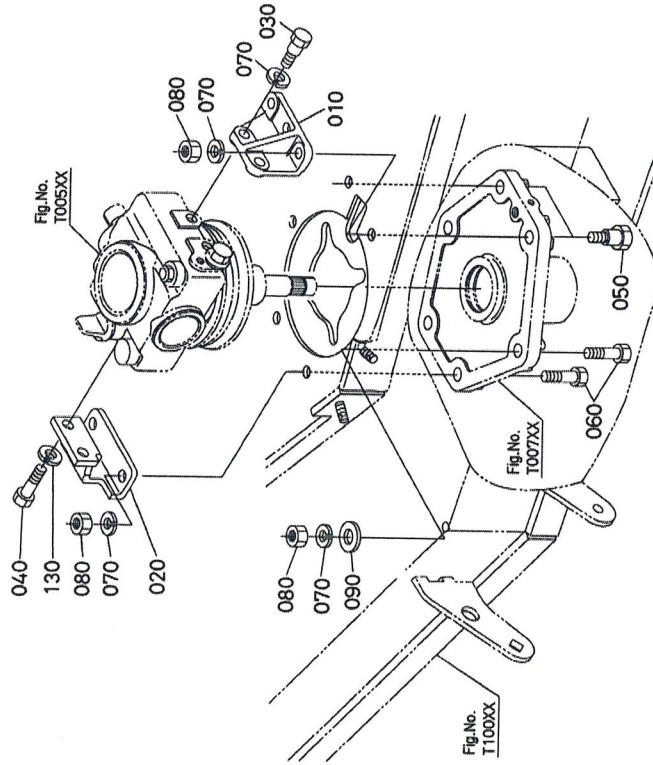


Nc.	Part Number	Part Name (ENG)	QTY	IC	Serial No./PIN	Kg	Remarks
010	K5669-32010	ASSY JOINT,UNIVERSAL	1			3.370	
020	K5646-31130	YOKE,PTO	1			0.400	
030	K5668-31140	YOKE,SHAFT	1			0.860	
040	K5646-31180	ASSY JOINT,CROSS	1			0.250	
050	K5646-31220	JOINT,CROSS	1			0.235	
060	K5646-32120	RING,SNAP	4			0.001	
070	70720-31212	NIPPLE,GREASE	1			0.006	
070	H6660-99100	NIPPLE,GREASE	1	>>		0.006	
080	K5669-31150	YOKE,QUICK	1			0.600	
090	K5669-31170	ASSY YOKE,SLEEVE	1			0.880	
100	70720-32110	ASSY JOINT,CROSS	1			0.200	
110	70720-31212	NIPPLE,GREASE	1			0.006	
110	H6660-99100	NIPPLE,GREASE	1	>>		0.006	
120	70720-31182	JOINT,CROSS	1			0.210	
130	70720-32120	RING,SNAP	4			0.001	
140	K5669-31190	SAFETY GUARD	1			0.132	
150	70870-43170	RING,SLIDE	1			0.015	
160	70815-58220	ASSY CHAIN	1			0.050	
170	01053-51040	HEX BOLT	1			0.035	
180	04512-50100	WASHER,SPRING LOCK	1			0.003	

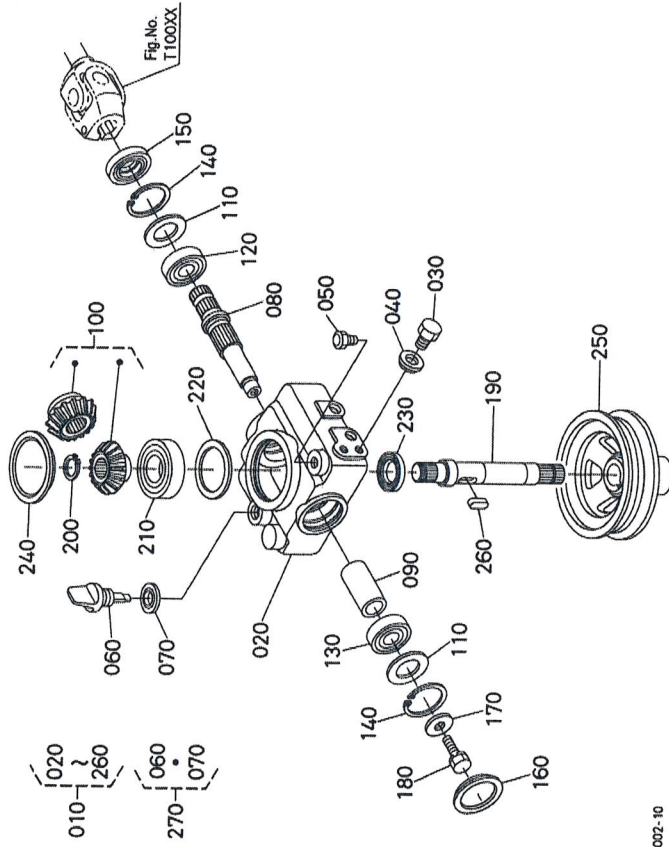




K5969-001-10

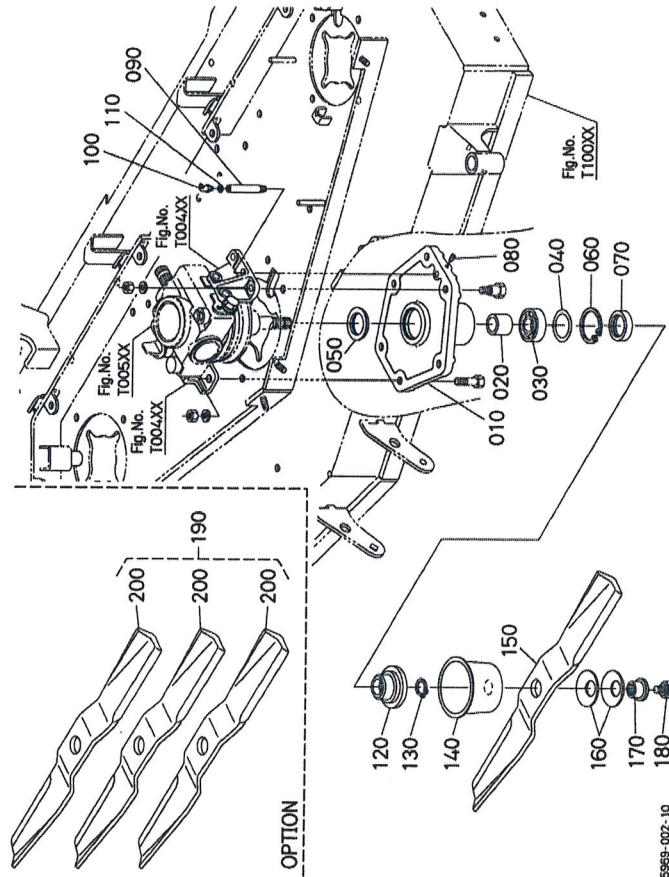
No.	Part Number	Part Name (ENG)	QTY	IC	Serial No./PIN	Kg	Remarks
010	K5647-33130	STAY,CASE LH	1			0.430	
020	K5647-33150	STAY,CASE RH	1			0.460	
030	K5763-33210	BOLT,REAMER 30	2			0.040	
040	01073-51225	BOLT	2			0.035	
050	K5647-33232	BOLT,REAMER 40	2			0.050	
060	01073-51240	HEX,BOLT	4			0.049	
070	04512-50120	WASHER,SPRING LOCK	10			0.003	
080	02074-50120	NUT	6			0.015	
090	04015-50120	WASHER,PLAIN	2			0.020	

No.	Part Number	Part Name (ENG)	QTY	IC	Serial No./PIN	Kg	Remarks
010	K5954-33100	CASE ASSY (BEVEL GEAR)	1			8.370	
020	K5681-33110	CASE,BEVEL GEAR	1			2.690	
030	01153-50812	HEX,BOLT	2			0.008	
040	04717-00800	WASHER,SEAL	2			0.001	
050	K5761-33252	PLUG,BREATH ER	1			0.006	
060	K5655-33140	GAUGE,OIL	1			0.009	
070	04717-01610	WASHERSEAL	1			0.004	
080	K5645-33312	SHAFT,PINION	1			0.540	
090	K5671-33342	COLLAR	1			0.112	
100	K5763-33320	KIT GEAR,BEVEL	1			0.450	17-18T
110	36330-28420	SHIM 0.2	2			0.002	0.2mm
110	36330-28410	SHIM 0.3	2			0.002	0.3mm
120	08101-06205	BEARING,BALL	1			0.120	
130	08101-06304	BEARING,BALL	1			0.146	
140	04611-00520	CIR. CLIP,INTERNAL	2			0.009	
150	76535-33440	SEAL,OIL	1			0.020	
160	63313-32270	CAP	1			0.030	
170	04015-50100	WASHER,PLAIN	1			0.016	
180	01133-51025	BOLT,SEMS	1			0.023	
190	K5647-33500	SHAFT,BEVEL GEAR	1			0.650	
200	04612-00220	CIR. CLIP,EXTERNAL	1			0.001	
210	70712-33550	BEARING,BALL	1			0.220	
220	70712-33570	SHIM	1			0.001	0.10mm
220	76539-33410	SHIM	1			0.001	0.20mm
230	K5761-33540	SEAL,OIL	1			0.010	TC30477
240	7C765-51260	CAP	1			0.070	
250	K5371-33520	PULLY,CENTER	1			1.780	
260	05712-00728	KEY,FEATHER	1			0.010	
270	K5655-98500	OIL GAUGE,KIT	1			0.015	

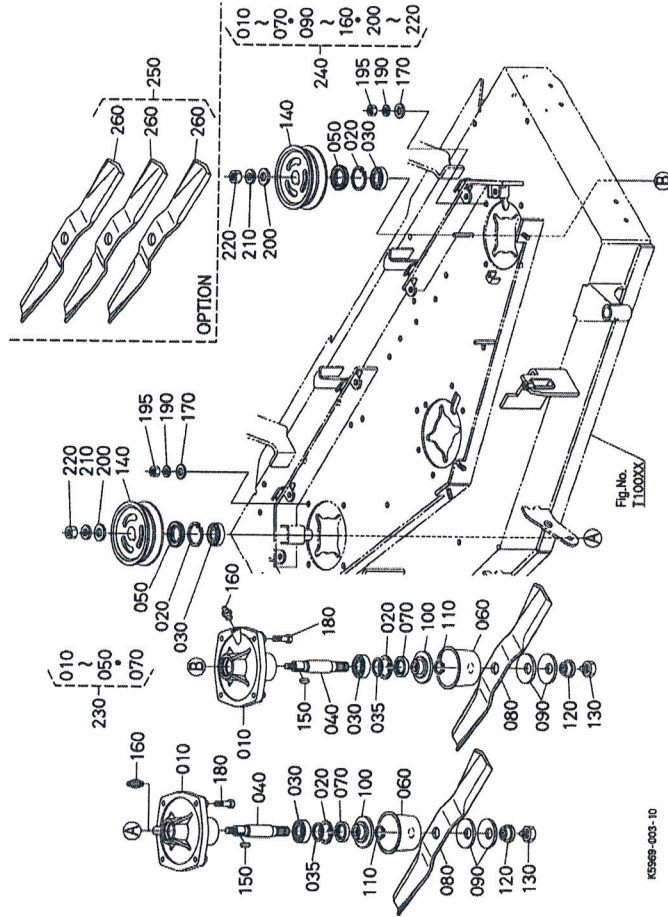


K5954-002-10

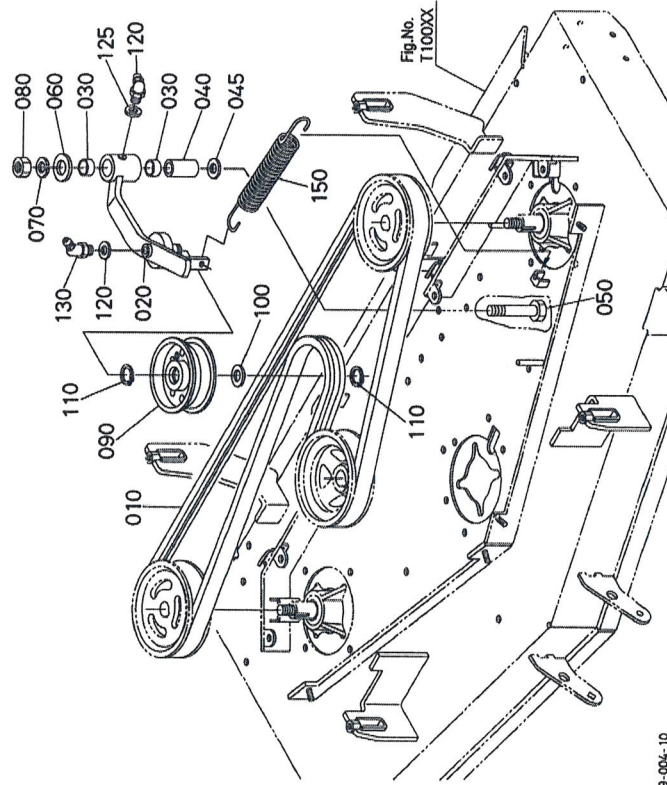
No.	Part Number	Part Name (ENG)	QTY	IC	Serial No./PIN	Kg	Remarks
010	K5669-34113	HOLDER,PULL EY CENTER	1			0.000	
020	K5647-33520	COLLAR,CENT ER	1			0.090	
030	08101-06205	BEARING,BALL	1			0.120	
040	K5647-27410	SHIM,0.5	1			0.001	0.50mm
050	70722-34120	SEAL,OIL	1			0.025	
060	04611-00520	CIR- CLIP,INTERNAL	1			0.009	
070	70725-34162	SEAL,OIL	1			0.024	
080	03410-50608	SCREW,SLOTT ED	1			0.001	
090	K5763-34130	PIPE EXTENSION	1			0.023	
100	K5763-44252	NIPPLE (GREASE,45)	1			0.010	45DEG.
110	K5763-27340	SHIM,ADJUST	1			0.001	
120	K5651-34140	BOSS(SPLINE)	1			0.280	
130	04612-00220	CIR- CLIP,EXTERNA L	1			0.001	
140	K5647-34312	COVER,DUST	1			0.258	
150	K5651-34340	BLADE,H20	1			1.550	60-H20
160	K5651-34352	SPRING,PLATE	2			0.070	
170	K5651-34380	BOSS(SPLINE 2)	1			0.000	
180	K5651-34372	BOLT(M)	1			0.080	M12*1,25
190	K5781-97520	KIT,BLADE 60C -H20	1			0.000	OPTION
200	K5651-34340	BLADE,H20	3			1.550	OPTION 60-H20



No.	Part Number	Part Name (ENG)	QTY	IC	Serial No./PIN	Kg	Remarks
010	K5647-34510	HOLDER,PULL EY SIDE	2			2.460	
020	04611-00520	CIR- CLIP,INTERNAL	4			0.009	
030	08101-06205	BEARING,BALL	4			0.120	
035	K5647-27410	SHIM,0.5	2			0.001	0.50mm
040	K5647-34540	SHAFT (SPINDLE)	2			0.000	
050	70722-34120	SEAL,OIL	2			0.025	
060	K5647-34312	COVER,DUST	2			0.258	
070	70725-34162	SEAL,OIL	2			0.024	
080	K5651-34340	BLADE,H20	2			1.550	60-H20
090	K5651-34352	SPRING,PLATE	4			0.070	
100	K5651-34140	BOSS(SPULINE)	2			0.280	
110	04612-00220	CIR- CLIP,EXTERNA L	2			0.001	
120	K5651-34380	BOSS(SPULINE 2)	2			0.000	
130	K5651-34372	BOLT(M)	2			0.080	M12*1.25
140	K5651-33580	PULLEY, SIDE	2			1.600	
150	05712-00722	KEY, FEATHER	2			0.009	
160	K1122-15152	NIPPLE (GREASE,M6*1. 0)	2			0.002	M6*1.0
170	04015-50120	WASHER,PLAI N	8			0.020	
180	01073-51235	HEX,BOLT	8			0.045	
190	04512-50120	WASHER,SPRI NG LOCK	8			0.003	
195	02074-50120	NUT	8			0.015	
200	K5651-34560	WASHER,PLAI N	2			0.024	
210	75599-33017	WASHER,SPRI NG LOCK(9/8)	2			0.005	
220	02074-50160	NUT	2			0.029	
230	K5647-97600	KIT A,SPINDLE ASSY.	1			4.090	
240	K5647-97700	KIT B,SPINDLE ASSY.	1			6.330	
250	K5781-97520	KIT,BLADE 60C -H20	1			0.000	OPTION
260	K5651-34340	BLADE,H20	3			1.550	OPTION 60-H20

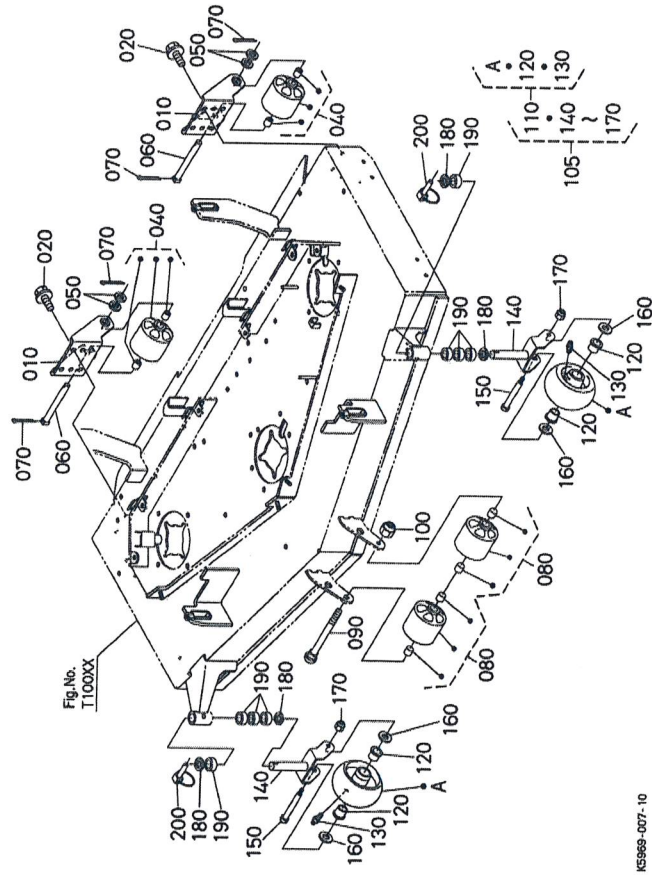


No.	Part Number	Part Name (ENG)	QTY	IC	Serial No./PIN	Kg	Remarks
010	K5647-34710	BELT, MULTI	1			0.900	122.5in
020	K5647-34730	ARM, TENSION	1			0.730	
030	K5651-20152	BUSHING (TENSION #12DP10)	2			0.017	
040	K5651-34780	COLLAR (TENSION)	1			0.055	
045	04015-50120	WASHER, PLAIN	1			0.020	
050	01073-51270	BOLT	1			0.060	
060	75595-32015	WASHER, PLAIN (1/2)	1			0.010	
070	04512-50120	WASHER, SPRING LOCK	1			0.003	
080	02074-50120	NUT	1			0.015	
090	K5651-34882	PULLEY, TENSION	1			0.550	
100	K5651-34802	SEAL (BEARING)	1			0.001	
110	04612-00170	CLIP, EXTERNAL	2			0.001	
120	K5763-44252	NIPPLE (GREASE, 45)	1			0.010	
125	K5763-27340	SHIM, ADJUST	1			0.001	
130	K5763-12102	NIPPLE (GREASE, 45)	1			0.007	
140	K5763-27350	SHIM, ADJUST (M8)	1			0.001	
150	K5668-34750	SPRING, TENSION	1			0.000	



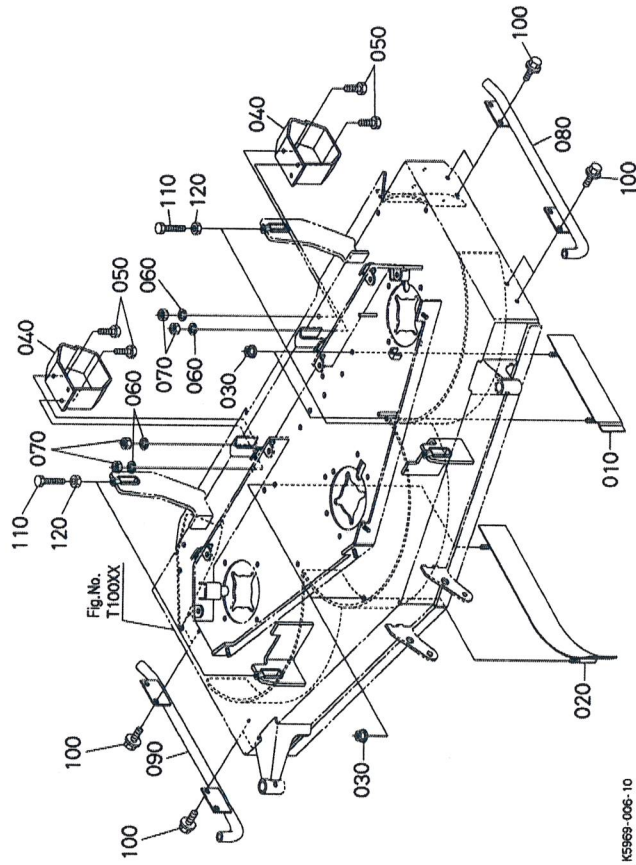
K5969-004-10

No.	Part Number	Part Name (ENG)	QTY	IC	Serial No./PIN	Kg	Remarks
010	K5343-46140	STAY,ROLLER RH	2			0.000	
020	01774-51025	BOLT,FLANGE	4			0.020	
040	K5763-46250	ROLLER,ANTI-SCALP	2			0.320	
050	75599-32015	WASHER,PLAIN(1/2)	4			0.010	
060	K5651-46183	PIN(GAUGE)	2			0.150	
070	75599-53173	PIN,COTTER (1/8"*)	4			0.002	
080	K5763-46250	ROLLER,ANTI-SCALP	2			0.320	
090	K5221-72652	BOLT(GAUGE,2-2.5)	1			0.250	
100	02574-50120	NUT,LOCKING	1			0.014	
105	K5668-42202	ASSY,GAUGE WHEEL F	2			0.000	
110	K5668-42100	ASSY,ROLLER ANTI-SCALP	2			0.000	
120	K5351-44190	BUSHING,GAUGE	4			0.000	
130	75599-81521	FITTING,GRA SE(1/4-28T.T.*.68)	2			0.003	1/4-28T.T.*.68
140	K5668-43113	SHAFT (HOLDER)	2			0.000	
150	K5668-42122	SHAFT,GAUGE	2			0.204	
160	04011-50160	WASHER,PLAIN	4			0.010	
170	K1042-15142	NUT(LOCKING)	2			0.000	
180	K1142-11262	WASHER(3)	4			0.008	1.90mm
190	K5647-43150	COLLAR	8		<=10492	0.065	ORDER BY REF.No.190 NEW PART.
190	K5647-43153	COLLAR,GAUGE	8	>>	>=10493	0.065	
200	69191-66890	PIN,SET	2			0.043	



K5668-007-10

No.	Part Number	Part Name (ENG)	QTY	IC	Serial No./PIN	Kg	Remarks
010	K5687-41510	PLATE,BAFFLE FRO,LH	1			0.000	
020	K5687-41520	PLATE,BAFFLE FRONT,RH	1			0.000	
030	02131-50100	NUT	4			0.010	
040	K5687-41533	SKID,CENTER	2			0.000	
050	01073-51030	BOLT	4			0.028	
060	04512-50100	WASHER,SPRING LOCK	4			0.003	
070	02018-50100	NUT	4			0.011	
080	K5669-40910	SKID,SIDE LH	1			0.000	
090	K5669-40920	SKID,SIDE RH	1			0.000	
100	01774-51025	BOLT,FLANGE	8			0.020	
110	K5645-41912	BOLT (ADJUSTER)	4			0.050	
120	02074-50120	NUT	4			0.015	



K5669-006-10