

≡ Interchangeable    NI Not Interchangeable    >> New for Old    << Old for New

No.	Part No.	Part Name	Qty	FRT[h]	IC	Serial No./PIN	Remarks	Kg
120	01053-51040	HEX.BOLT	1	-				0.035
130	04512-50100	WASHER,SPRING LOCK	1	-				0.003

≡ Interchangeable    NI Not Interchangeable    >> New for Old    << Old for New

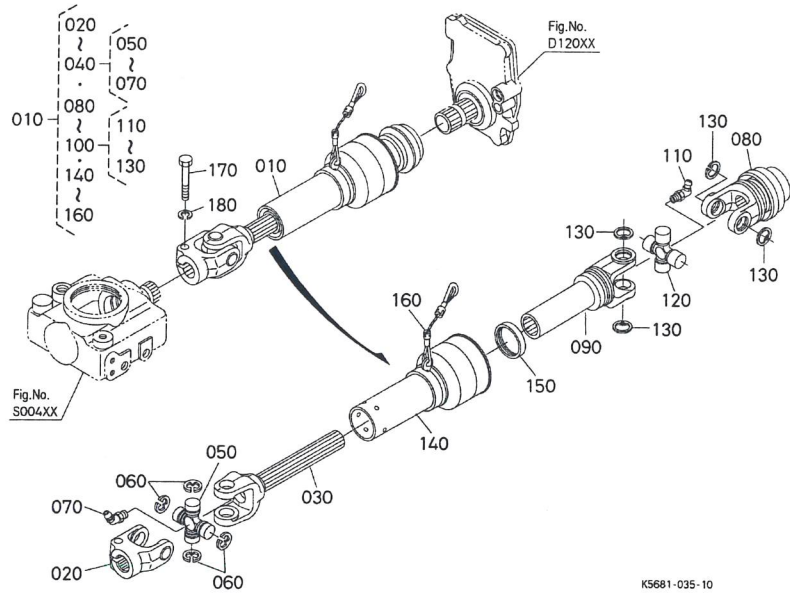
No.	Part No.	Part Name	Qty	FRT[h]	IC	Serial No./PIN	Remarks	Kg
010	K5681-32030	ASSY JOINT,UNIVERSAL	1	-				3.51
020	K5646-31130	YOKE,PTO	1	-				0.4
030	K5646-31140	YOKE,SHAFT	1	-				1.01
040	K5646-31150	YOKE,QUICK	1	-				0.55
050	K5681-31170	ASSY YOKE,SLEEVE	1	-				1.095
060	K5681-31160	YOKE,SLEEVE	1	-				1.085
070	06613-10675	NIPPLE,GREASE	1	-				0.003
080	K5646-31180	ASSY JOINT,CROSS	2	-				0.25
090	K5646-31220	JOINT,CROSS	2	-				0.235
100	K5646-32120	RING,SNAP	8	-				0.001
110	70720-31212	NIPPLE,GREASE	2	-				0.006
110	H6660-99100	NIPPLE,GREASE	2	-	>>			0.006

S00102 UNIVERSAL JOINT ## RCK60R-F36EC

S.No.>=40001 S.No.>=40001  
RCK60R-F36EC MOWER

Update Date: 2018/07/19

Printing Date: 2022/03/09



K5681-035-10

≡ Interchangeable NI Not Interchangeable >> New for Old << Old for New

No.	Part No.	Part Name	Qty	FRT[h]	IC	Serial No./PIN	Remarks	Kg
010	K5682-32030	ASSY JOINT,UNIVERSAL	1	-				3.97
020	K5646-31130	YOKE,PTO	1	-				0.4
030	K5646-31140	YOKE,SHAFT	1	-				1.01
040	K5646-31180	ASSY JOINT,CROSS	1	-				0.25
050	K5646-31220	JOINT,CROSS	1	-				0.235
060	K5646-32120	RING,SNAP	4	-				0.001
070	70720-31212	NIPPLE,GREASE	1	-				0.006
070	H6660-99100	NIPPLE,GREASE	1	-	>>			0.006
080	K5669-31150	YOKE,QUICK	1	-				0.6
090	K5682-31170	ASSY YOKE,SLEEVE	1	-				1.295
100	70720-32110	ASSY JOINT,CROSS	1	-				0.2
110	70720-31212	NIPPLE,GREASE	1	-				0.006

S00102 UNIVERSAL JOINT ## RCK60R-F36EC

S.No.>=40001 S.No.>=40001  
RCK60R-F36EC MOWER

Update Date: 2018/07/19

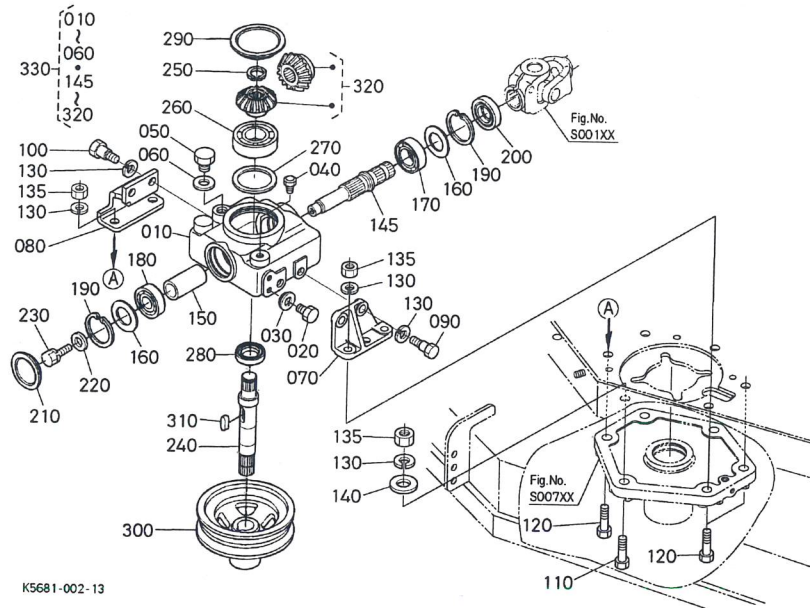
Printing Date: 2022/03/09

≡ Interchangeable NI Not Interchangeable >> New for Old << Old for New

No.	Part No.	Part Name	Qty	FRT[h]	IC	Serial No./PIN	Remarks	Kg
110	H6660-99100	NIPPLE,GREASE	1	-	>>			0.006
120	70720-31182	JOINT,CROSS	1	-				0.21
130	70720-32120	RING,SNAP	4	-				0.001
140	K5682-31190	SAFETY GUARD	1	-				0.172
150	70870-43170	RING,SLIDE	1	-				0.015
160	70815-58220	ASSY CHAIN	1	-				0.05
170	01053-51040	HEX.BOLT	1	-				0.035
180	04512-50100	WASHER,SPRING LOCK	1	-				0.003

S00400 BEVEL GEAR CASE ## RCK60R-F36EC  
RCK60R-F36EC MOWER

Update Date: 2018/07/19  
Printing Date: 2022/03/09



≡ Interchangeable    NI Not Interchangeable    >> New for Old    << Old for New

No.	Part No.	Part Name	Qty	FRT[h]	IC	Serial No./PIN	Remarks	Kg
010	K5681-33110	CASE,BEVEL GEAR	1	-				2.69
020	01153-50812	HEX.BOLT	2	-				0.008
030	04717-00800	WASHER,SEAL	2	-				0.001
040	K5761-33250	VENT VALVE	1	-		<=10364		0.006
040	K5761-33252	PLUG,BREATHER	1	-	>>	>=10365		0.006
050	06331-35016	PLUG	1	-				0.04
060	04711-00300	PACKING	1	-				0.001
070	K5647-33130	STAY,CASE LH	1	-				0.43
080	K5647-33150	STAY,CASE RH	1	-				0.46
090	K5763-33210	BOLT,REAMER 30	2	-				0.04
100	K5647-33230	BOLT,REAMER 40	2	-		<=40436		0.05
100	K5647-33232	BOLT,REAMER 40	2	-	>>	>=40437		0.05

This content is the information at the time of publication on this site.  
Information such as the part name and part number may be different from the present.  
Illustrations of products and parts that are posted are image diagrams.  
a1140587-c073-4544-b584-a491560e3ab3

S00400 BEVEL GEAR CASE ## RCK60R-F36EC  
RCK60R-F36EC MOWER

Update Date: 2018/07/19  
Printing Date: 2022/03/09

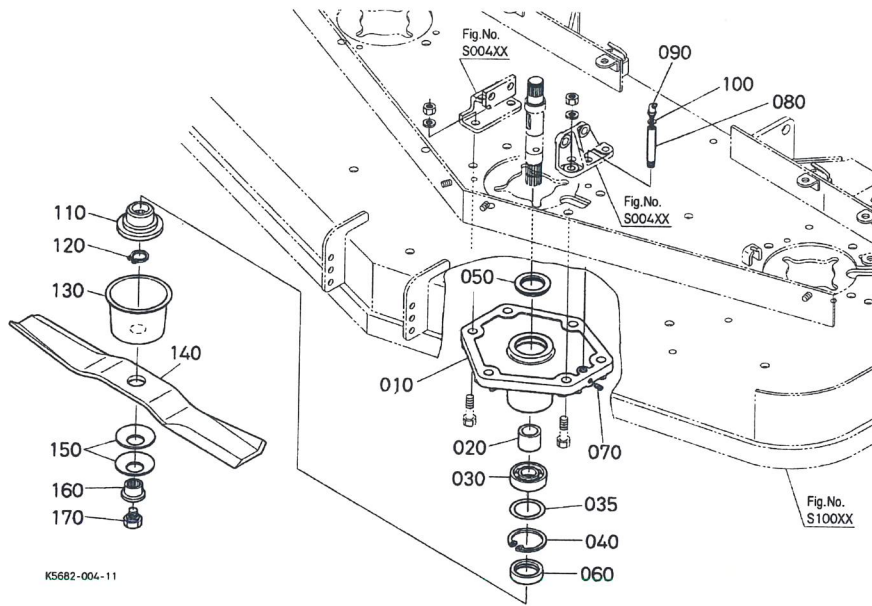
≡ Interchangeable    NI Not Interchangeable    >> New for Old    << Old for New

No.	Part No.	Part Name	Qty	FRT[h]	IC	Serial No./PIN	Remarks	Kg
110	01073-51225	BOLT	2	-				0.035
120	01073-51240	HEX.BOLT	4	-				0.049
130	04512-50120	WASHER,SPRING LOCK	10	-				0.003
135	02074-50120	NUT	6	-				0.015
140	04015-50120	WASHER,PLAIN	2	-				0.02
145	K5645-33312	SHAFT,PINION	1	-				0.54
150	K5671-33342	COLLAR	1	-				0.112
160	36330-28420	SHIM 0.2	2	-			0.2mm	0.002
160	36330-28410	SHIM 0.3	2	-			0.3mm	0.002
170	08101-06205	BEARING,BALL	1	-				0.12
180	08101-06304	BEARING,BALL	1	-				0.146
190	04611-00520	CIR-CLIP,INTERNAL	2	-				0.009
200	76535-33440	SEAL,OIL	1	-				0.02
210	63313-32270	CAP	1	-				0.03
220	04015-50100	WASHER,PLAIN	1	-				0.016
230	01133-51025	BOLT,SEMS	1	-				0.023
240	K5647-33500	SHAFT,BEVEL GEAR	1	-				0.65
250	04612-00220	CIR-CLIP,EXTERNAL	1	-				0.001
260	70712-33550	BEARING,BALL	1	-				0.22
270	70712-33570	SHIM	1	-			0.1mm	0.001
270	76539-33410	SHIM	1	-			0.2mm	0.001
280	K5761-33540	SEAL,OIL	1	-				0.01
290	7C765-51260	CAP	1	-				0.07
300	K5371-33520	PULLY,CENTER	1	-				1.78
310	05712-00728	KEY,FEATHER	1	-				0.01
320	K5763-33320	KIT GEAR,BEVEL	1	-			18-17T	0.45
330	K5682-33100	ASSY CASE,BEVEL GEAR	1	-		<=40322		5.0

This content is the information at the time of publication on this site.  
Information such as the part name and part number may be different from the present.  
Illustrations of products and parts that are posted are image diagrams.  
a1140587-c073-4544-b584-a491560e3ab3

≡ Interchangeable    NI Not Interchangeable    >> New for Old    << Old for New

No.	Part No.	Part Name	Qty	FRT[h]	IC	Serial No./PIN	Remarks	Kg
330	K5682-33103	ASSY,CASE,BEVEL GEAR	1	-	>>	>=40323		8.88

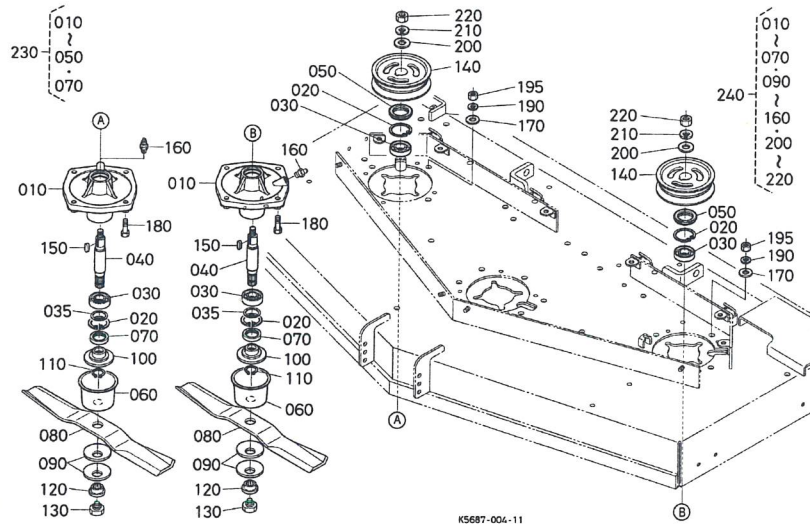


≡ Interchangeable    NI Not Interchangeable    >> New for Old    << Old for New

No.	Part No.	Part Name	Qty	FRT[h]	IC	Serial No./PIN	Remarks	Kg
010	K5647-34113	HOLDER,CENTER PULLEY	1	-		<=40150	ORDER BY REF.No.010 NEW PART	2.38
010	K5669-34110	HOLDER,CENTER PULLEY	1	-	>>	>=40151		2.362
010	K5669-34113	HOLDER,PULLEY CENTER	1	-	>>	>=41260		0.0
020	K5647-33520	COLLAR,CENTER	1	-				0.09
030	08101-06205	BEARING,BALL	1	-				0.12
035	K5647-27410	SHIM,0.5	1	-			0.5mm	0.001
040	04611-00520	CIR-CLIP,INTERNAL	1	-				0.009
050	70722-34120	SEAL,OIL	1	-				0.025
060	70725-34162	SEAL,OIL	1	-				0.024
070	03410-50608	SCREW,SLOTTED	1	-				0.001
080	K5763-34130	PIPE EXTENSION	1	-				0.023
090	K5763-44250	NIPPLE,GREASE(45')	1	-		<=40759	45DEG.	0.01

≡ Interchangeable    NI Not Interchangeable    >> New for Old    << Old for New

No.	Part No.	Part Name	Qty	FRT[h]	IC	Serial No./PIN	Remarks	Kg
090	K5763-44252	NIPPLE(GREASE,45')	1	-	>>	>=40760	45DEG.	0.01
100	K5763-27340	SHIM,ADJUST	1	-				0.001
110	K5761-34152	BOSS,SPLINE	1	-				0.28
110	K5651-34140	BOSS(SPLINE)	1	-	≡			0.28
120	04612-00220	CIR-CLIP,EXTERNAL	1	-				0.001
130	K5647-34310	COVER,DUST	1	-		<=30266		0.17
130	K5647-34312	COVER,DUST	1	-	>>	>=30267		0.258
140	K5651-34340	BLADE,H20	1	-			H20	1.55
150	K5651-34350	SPRING,LEAF	2	-		<=30023		0.07
150	K5651-34352	SPRING,PLATE	2	-	>>	>=30024		0.07
160	76539-34392	JOINT,BLADE BOSS	1	-				0.06
160	K5651-34380	BOSS(SPLINE 2)	1	-	≡			0.0
170	K5651-34370	BOLT(M12*1.25)	1	-		<=40436	M12*1.25	0.08
170	K5651-34372	BOLT(M)	1	-	>>	>=40437	M12*1.25	0.08



≡ Interchangeable    NI Not Interchangeable    >> New for Old    << Old for New

No.	Part No.	Part Name	Qty	FRT[h]	IC	Serial No./PIN	Remarks	Kg
010	K5647-34510	HOLDER,PULLEY SIDE	2	-				2.46
020	04611-00520	CIR-CLIP,INTERNAL	4	-				0.009
030	08101-06205	BEARING,BALL	4	-				0.12
035	K5647-27410	SHIM,0.5	2	-			0.5mm	0.001
040	K5647-34550	SHAFT SPINDLE	2	-				0.71
040	K5647-34540	SHAFT(SPINDLE)	2	-	≡			0.0
050	70722-34120	SEAL,OIL	2	-				0.025
060	K5647-34310	COVER,DUST	2	-		<=30266		0.17
060	K5647-34312	COVER,DUST	2	-	>>	>=30267		0.258
070	70725-34162	SEAL,OIL	2	-				0.024
080	K5651-34340	BLADE,H20	2	-			H20	1.55
090	K5651-34350	SPRING,LEAF	4	-		<=30023		0.07
090	K5651-34352	SPRING,PLATE	4	-	>>	>=30024		0.07

≡ Interchangeable    NI Not Interchangeable    >> New for Old    << Old for New

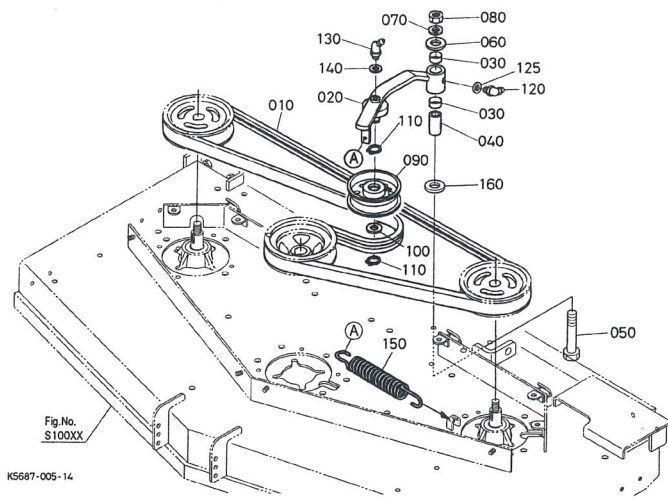
No.	Part No.	Part Name	Qty	FRT[h]	IC	Serial No./PIN	Remarks	Kg
100	K5761-34152	BOSS,SPLINE	2	-				0.28
100	K5651-34140	BOSS(SPLINE)	2	-	≡			0.28
110	04612-00220	CIR-CLIP,EXTERNAL	2	-				0.001
120	76539-34392	JOINT,BLADE BOSS	2	-				0.06
120	K5651-34380	BOSS(SPLINE 2)	2	-	≡			0.0
130	K5651-34370	BOLT(M12*1.25)	2	-		<=40436	M12*1.25	0.08
130	K5651-34372	BOLT(M)	2	-	>>	>=40437	M12*1.25	0.08
140	K5651-33580	PULLEY, SIDE	2	-				1.6
150	05712-00722	KEY, FEATHER	2	-				0.009
160	K1122-15150	NIPPLE,GREASE	2	-		<=40475	M6*1.0	0.002
160	K1122-15152	NIPPLE(GREASE,M6*1.0)	2	-	>>	>=40476	M6*1.0	0.002
170	04015-50120	WASHER,PLAIN	8	-				0.02
180	01073-51235	HEX.BOLT	8	-				0.045
190	04512-50120	WASHER,SPRING LOCK	8	-				0.003
195	02074-50120	NUT	8	-				0.015
200	K5651-34560	WASHER,PLAIN	2	-				0.024
210	75599-33017	WASHER,SPRING LOCK(5/8)	2	-				0.005
220	02074-50160	NUT	2	-				0.029
230	K5647-97600	KIT A,SPINDLE ASSY.	1	-				4.09
240	K5647-97700	KIT B,SPINDLE ASSY.	1	-				6.33

S01302 TENSION PULLEY ## RCK60R-F36EC  
RCK60R-F36EC MOWER

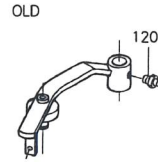
Update Date: 2018/07/19  
Printing Date: 2022/03/09

S01302 TENSION PULLEY ## RCK60R-F36EC  
RCK60R-F36EC MOWER

Update Date: 2018/07/19  
Printing Date: 2022/03/09



K5687-005-14



K5681-800-11

= Interchangeable NI Not Interchangeable >> New for Old << Old for New

No.	Part No.	Part Name	Qty	FRT[h]	IC	Serial No./PIN	Remarks	Kg
125	K5763-27340	SHIM,ADJUST	1	-		>=10006		0.001
130	K5763-12100	NIPPLE(GREASE,45')	1	-		<=40784		0.007
130	K5763-12102	NIPPLE(GREASE,45')	1	-	>>	>=40785		0.007
140	K5763-27350	SHIM,ADJUST (M8)	1	-				0.001
150	K5763-34750	SPRING(TENSION)	1	-		<=40053		0.17
150	K5668-34750	SPRING,TENSION	1	-	>>	>=40054		0.0
160	04015-50120	WASHER,PLAIN	1	-		>=40059		0.02

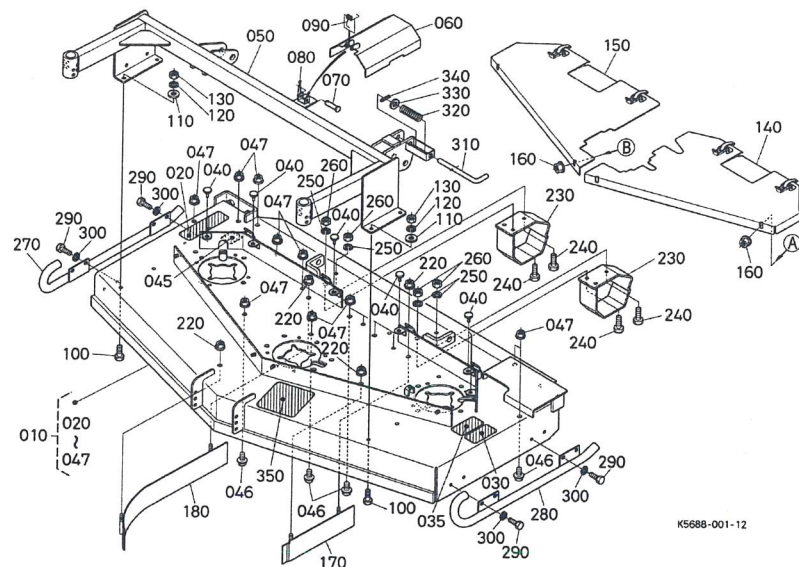
= Interchangeable NI Not Interchangeable >> New for Old << Old for New

No.	Part No.	Part Name	Qty	FRT[h]	IC	Serial No./PIN	Remarks	Kg
010	K5647-34710	BELT,MULTI	1	-				0.9
020	K5647-34730	ARM,TENSION	1	-				0.73
030	K5651-20150	BUSHING(TENSION)	2	-		<=41259		0.017
030	K5651-20152	BUSHING(TENSION #12DP10)	2	-	>>	>=41260		0.017
040	K5651-34780	COLLAR(TENSION)	1	-				0.055
050	01073-51270	BOLT	1	-				0.06
060	75599-32015	WASHER,PLAIN(1/2)	1	-				0.01
070	04512-50120	WASHER,SPRING LOCK	1	-				0.003
080	02074-50120	NUT	1	-				0.015
090	K5651-34880	PULLEY,TENSION	1	-				0.55
100	K5651-34800	SEAL(BEARING)	1	-		<=40784		0.001
100	K5651-34802	SEAL(BEARING)	1	-	>>	>=40785		0.001
110	04612-00170	CIR-CLIP,EXTERNAL	2	-				0.001
120	K1122-15150	NIPPLE,GREASE	1	-		<=10005		0.002
120	K5763-44250	NIPPLE,GREASE(45')	1	-	>>	>=10006		0.01
120	K5763-44252	NIPPLE(GREASE,45')	1	-	>>	>=40760		0.01

# S10004 MOWER DECK ## RCK60R-F36EC

S.No.<=20363 S.No.<=20363  
RCK60R-F36EC MOWER

Update Date: 2018/07/19  
Printing Date: 2022/03/09



K5688-001-12

≡ Interchangeable NI Not Interchangeable >> New for Old << Old for New

No.	Part No.	Part Name	Qty	FRT[h]	IC	Serial No./PIN	Remarks	Kg
010	K5688-41100	ASSY DECK MOWER	1	-			SEE NOTE	0.0
020	K5652-41780	LABEL,WARNING	1	-				0.01
030	K5652-41793	LABEL,WARNING 2	1	-				0.006
035	K5652-41800	LABEL,WARNING	1	-				0.001
040	K5647-41510	CUSHION	6	-				0.007
045	K5203-73170	LABEL, LWA	1	-				0.002
046	01774-51020	BOLT,FLANGE	13	-				0.02
047	02131-50100	NUT	13	-				0.01
050	K5687-41110	FRAME,FRONT	1	-				0.0
060	K5681-33032	COVER,JOINT	1	-				0.0
070	05122-50840	PIN,JOINT	1	-				0.017
080	05511-50220	PIN,SPLIT	1	-				0.001

This content is the information at the time of publication on this site.  
Information such as the part name and part number may be different from the present.  
Illustrations of products and parts that are posted are image diagrams.  
cdeec49-571b-4775-aafc-793c6a14b60c

# S10004 MOWER DECK ## RCK60R-F36EC

S.No.<=20363 S.No.<=20363  
RCK60R-F36EC MOWER

Update Date: 2018/07/19  
Printing Date: 2022/03/09

≡ Interchangeable NI Not Interchangeable >> New for Old << Old for New

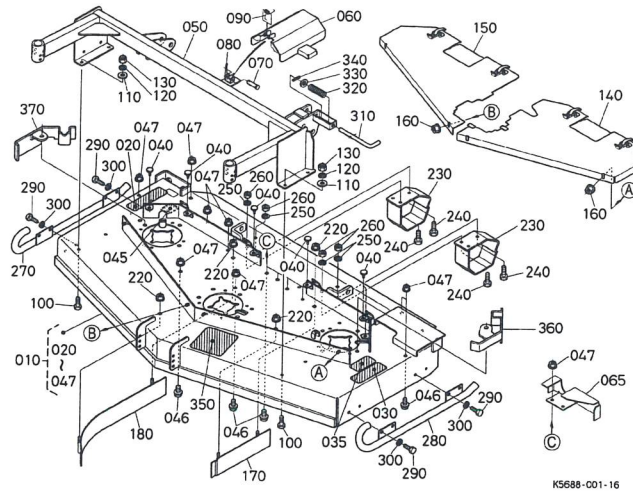
No.	Part No.	Part Name	Qty	FRT[h]	IC	Serial No./PIN	Remarks	Kg
090	K5681-33020	SPRING,BELT COVER	1	-				0.0
100	01073-51025	BOLT	4	-				0.025
110	04015-50100	WASHER,PLAIN	4	-				0.016
120	04512-50100	WASHER,SPRING LOCK	4	-				0.003
130	02018-50100	NUT	4	-				0.011
140	K5687-41182	COVER,LH	1	-				0.0
150	K5687-41200	COVER,RH	1	-				0.0
160	02751-50080	NUT,FLANGE	4	-				0.006
170	K5687-41510	PLATE,BUFFLE FRO.LH	1	-				0.0
180	K5687-41520	PLATE,BAFFLE FRONT RH	1	-				0.0
220	02131-50100	NUT	4	-				0.01
230	K5687-41533	SKID,CENTER	2	-				0.0
240	01073-51030	BOLT	4	-				0.028
250	04512-50100	WASHER,SPRING LOCK	4	-				0.003
260	02018-50100	NUT	4	-				0.011
270	K5687-40912	SKID,SIDE RH	1	-				0.0
280	K5687-40922	SKID,SIDE LH	1	-				0.0
290	01073-51025	BOLT	8	-				0.025
300	04512-50100	WASHER,SPRING LOCK	8	-				0.003
310	K5681-41140	PIN,FRONT	1	-				0.0
320	K5681-41150	SPRING,PIN	1	-				0.0
330	75599-32016	WASHER,PLAIN(9/16)	1	-				0.009
340	75599-52532	PIN,SPRING(7/32*1-5/8)	1	-				0.005
350	K5681-41190	LABEL,HEIGHT	1	-				0.0

This content is the information at the time of publication on this site.  
Information such as the part name and part number may be different from the present.  
Illustrations of products and parts that are posted are image diagrams.  
cdeec49-571b-4775-aafc-793c6a14b60c

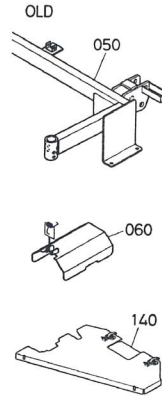


S10005 MOWER DECK ## RCK60R-F36EC  
 S.No.20363 to 20364 S.No.;20363 to 20364  
 RCK60R-F36EC MOWER

Update Date: 2018/07/19  
 Printing Date: 2022/03/09



K5688-001-16



K5688-801-11

≡ Interchangeable    NI Not Interchangeable    >> New for Old    << Old for New

No.	Part No.	Part Name	Qty	FRT[h]	IC	Serial No./PIN	Remarks	Kg
010	K5688-41100	ASSY DECK MOWER	1	-		<=30373	SEE NOTE	0.0
010	K5688-41102	ASSY DECK MOWER	1	-	NI	>=40001		0.0
010	K5688-41103	ASSY DECK MOWER	1	-	>>	>=40151		0.0
010	K5688-41104	ASSY,MOWER DECK	1	-	NI	>=50061		0.0
020	K5652-41780	LABEL,WARNING	1	-				0.01
030	K5652-41793	LABEL,WARNING 2	1	-				0.006
035	K5652-41800	LABEL,WARNING	1	-				0.001
040	K5647-41510	CUSHION	6	-				0.007
045	K5203-73170	LABEL, LWA	1	-				0.002
046	01774-51020	BOLT,FLANGE	13	-		<=40150		0.02
046	01774-51020	BOLT,FLANGE	12	-		>=40151		0.02
047	02131-50100	NUT	13	-		<=40150		0.01
047	02131-50100	NUT	12	-		>=40151		0.01
050	K5687-41110	FRAME,FRONT	1	-		<=30373		0.0
050	K5687-41115	FRAME,FRONT	1	-	NI	>=40001		0.0
050	K5687-41116	FRAME(FRONT)	1	-	>>	>=41365		0.0

S10005 MOWER DECK ## RCK60R-F36EC  
 S.No.20363 to 20364 S.No.;20363 to 20364  
 RCK60R-F36EC MOWER

Update Date: 2018/07/19  
 Printing Date: 2022/03/09

≡ Interchangeable    NI Not Interchangeable    >> New for Old    << Old for New

No.	Part No.	Part Name	Qty	FRT[h]	IC	Serial No./PIN	Remarks	Kg
060	K5682-33032	COVER,JOINT	1	-		<=30373		0.0
060	K5688-33020	COVER,JOINT	1	-	NI	>=40001		0.0
065	K5688-33040	COVER,JOINT2	1	-		>=40001		0.0
070	05122-50840	PIN,JOINT	1	-				0.017
080	05511-50220	PIN,SPLIT	1	-				0.001
090	K5681-33020	SPRING,BELT COVER	1	-		<=40784		0.0
090	K5681-33022	SPRING	1	-	>>	>=40785		0.0
100	01073-51025	BOLT	4	-		<=30373		0.025
100	01173-51235	HEX.BOLT	4	-	NI	>=40001		0.04
110	04015-50100	WASHER,PLAIN	4	-		<=30373		0.016
110	K5763-14950	WASHER	4	-	NI	>=40001		0.01
110	K5763-14952	WASHER	4	-	>>	>=40785		0.01
120	04512-50100	WASHER,SPRING LOCK	4	-		<=30373		0.003
120	04512-50120	WASHER,SPRING LOCK	4	-	NI	>=40001		0.003
130	02018-50100	NUT	4	-		<=30373		0.011
130	02572-50120	NUT,LOCKING	4	-	NI	>=40001		0.014
140	K5688-41180	COVER,LH	1	-		<=30373		0.0
140	K5688-41182	COVER,LH	1	-	>>	>=40001		0.0
140	K5688-41184	COVER(LEFT)	1	-	>>	>=50061		0.0
150	K5688-41200	COVER,RH	1	-		<=30373		0.0
150	K5688-41202	COVER,RH	1	-	>>	>=40001		0.0
150	K5688-41203	COVER(RH)	1	-	>>	>=50061		0.0
160	02751-50080	NUT,FLANGE	4	-				0.006
170	K5687-41510	PLATE,BUFFLE FRO.LH	1	-				0.0
180	K5687-41520	PLATE,BAFFLE FRONT RH	1	-				0.0
220	02131-50100	NUT	4	-				0.01
230	K5687-41533	SKID,CENTER	2	-				0.0
240	01073-51030	BOLT	4	-				0.028
250	04512-50100	WASHER,SPRING LOCK	4	-				0.003

≡ Interchangeable    NI Not Interchangeable    >> New for Old    << Old for New

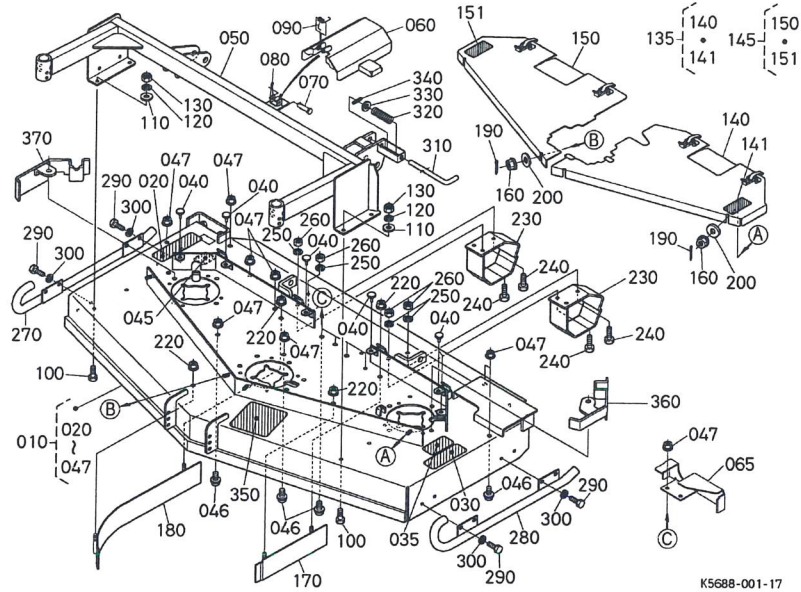
No.	Part No.	Part Name	Qty	FRT[h]	IC	Serial No./PIN	Remarks	Kg
260	02018-50100	NUT	4	-				0.011
270	K5687-40912	SKID,SIDE RH	1	-				0.0
280	K5687-40922	SKID,SIDE LH	1	-				0.0
290	01073-51025	BOLT	8	-				0.025
300	04512-50100	WASHER,SPRING LOCK	8	-				0.003
310	K5681-41140	PIN,FRONT	1	-		<=40784		0.0
310	K5681-41142	PIN(FRONT)	1	-	>>	>=40785		0.0
320	K5681-41150	SPRING,PIN	1	-		<=40784		0.0
320	K5681-41152	SPRING(PIN)	1	-	>>	>=40785		0.0
330	75599-32016	WASHER,PLAIN(9/16)	1	-				0.009
340	75599-52532	PIN,SPRING(7/32*1-5/8)	1	-				0.005
350	K5681-41190	LABEL,HEIGHT	1	-				0.0
360	K5682-41210	PLATE,COVER LH	1	-				0.0
370	K5682-41220	PLATE,COVER RH	1	-				0.0

S10006 MOWER DECK ## RCK60R-F36EC

S.No.>=20365 S.No.>=20365  
RCK60R-F36EC MOWER

Update Date: 2018/07/19

Printing Date: 2022/03/09



≡ Interchangeable NI Not Interchangeable >> New for Old << Old for New

No.	Part No.	Part Name	Qty	FRT[h]	IC	Serial No./PIN	Remarks	Kg
010	K5688-41104	ASSY,MOWER DECK	1	-				0.0
020	K5652-41780	LABEL,WARNING	1	-				0.01
030	K5652-41793	LABEL,WARNING 2	1	-				0.006
035	K5652-41800	LABEL,WARNING	1	-				0.001
040	K5647-41510	CUSHION	6	-				0.007
045	K5203-73170	LABEL, LWA	1	-				0.002
046	01774-51020	BOLT,FLANGE	13	-				0.02
047	02131-50100	NUT	13	-				0.01
050	K5687-41116	FRAME(FRONT)	1	-				0.0
060	K5688-33020	COVER,JOINT	1	-				0.0
065	K5688-33040	COVER,JOINT2	1	-				0.0
070	05122-50840	PIN,JOINT	1	-				0.017

S10006 MOWER DECK ## RCK60R-F36EC

S.No.>=20365 S.No.>=20365  
RCK60R-F36EC MOWER

Update Date: 2018/07/19

Printing Date: 2022/03/09

≡ Interchangeable NI Not Interchangeable >> New for Old << Old for New

No.	Part No.	Part Name	Qty	FRT[h]	IC	Serial No./PIN	Remarks	Kg
080	05511-50220	PIN,SPLIT	1	-				0.001
090	K5681-33022	SPRING	1	-				0.0
100	01173-51235	HEX,BOLT	4	-				0.04
110	K5763-14952	WASHER	4	-				0.01
120	04512-50120	WASHER,SPRING LOCK	4	-				0.003
130	02572-50120	NUT,LOCKING	4	-				0.014
135	K5688-41300	COVER,ASSY(LEFT)	1	-				0.0
140	K5688-41184	COVER(LEFT)	1	-				0.0
141	K5682-41810	LABEL(DO NOT STEP)	1	-				0.0
145	K5688-41310	COVER,ASSY(RH)	1	-				0.0
150	K5688-41203	COVER(RH)	1	-				0.0
151	K5682-41810	LABEL(DO NOT STEP)	1	-				0.0
160	02751-50080	NUT,FLANGE	4	-				0.006
170	K5687-41510	PLATE,BUFFLE FRO.LH	1	-				0.0
180	K5687-41520	PLATE,BAFFLE FRONT RH	1	-				0.0
190	05511-50218	PIN,SPLIT	4	-				0.001
200	04015-50080	WASHER,PLAIN	4	-				0.01
220	02131-50100	NUT	4	-				0.01
230	K5687-41533	SKID,CENTER	2	-				0.0
240	01073-51030	BOLT	4	-				0.028
250	04512-50100	WASHER,SPRING LOCK	4	-				0.003
260	02018-50100	NUT	4	-				0.011
270	K5687-40912	SKID,SIDE RH	1	-				0.0
280	K5687-40922	SKID,SIDE LH	1	-				0.0
290	01073-51025	BOLT	8	-				0.025
300	04512-50100	WASHER,SPRING LOCK	8	-				0.003
310	K5681-41142	PIN(FRONT)	1	-				0.0

S10006 MOWER DECK ## RCK60R-F36EC

S.No.>=20365 S.No.;>=20365

RCK60R-F36EC MOWER

Update Date: 2018/07/19

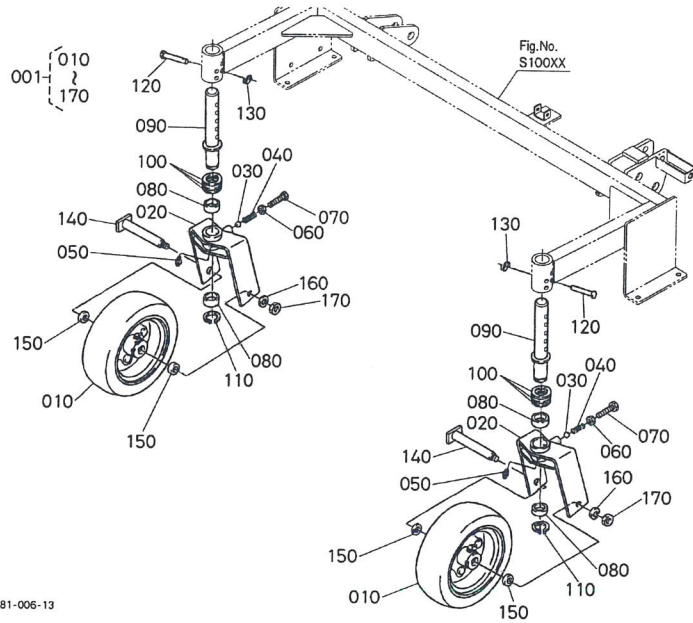
Printing Date: 2022/03/09

== Interchangeable    NI Not Interchangeable    >> New for Old    << Old for New

No.	Part No.	Part Name	Qty	FRT[h]	IC	Serial No./PIN	Remarks	Kg
320	K5681-41152	SPRING(PIN)	1	-				0.0
330	75599-32016	WASHER,PLAIN(9/16)	1	-				0.009
340	75599-52532	PIN,SPRING(7/32*1-5/8)	1	-				0.005
350	K5681-41190	LABEL,HEIGHT	1	-				0.0
360	K5682-41210	PLATE,COVER LH	1	-				0.0
370	K5682-41220	PLATE,COVER RH	1	-				0.0

S10301 FRONT GAUGE WHEEL ## RCK60R-F36EC  
RCK60R-F36EC MOWER

Update Date: 2018/07/19  
Printing Date: 2022/03/09



K5681-006-13

S10301 FRONT GAUGE WHEEL ## RCK60R-F36EC  
RCK60R-F36EC MOWER

Update Date: 2018/07/19  
Printing Date: 2022/03/09

≡ Interchangeable    NI Not Interchangeable    >> New for Old    << Old for New

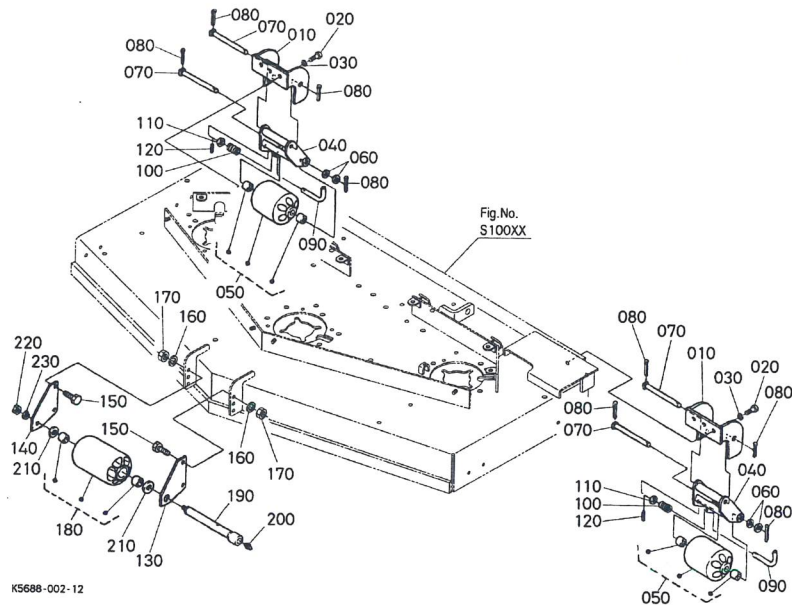
No.	Part No.	Part Name	Qty	FRT[h]	IC	Serial No./PIN	Remarks	Kg
100	K5651-43150	COLLAR,HOLDER	6	-		<=40784		0.01
100	K5651-43152	COLLAR(HOLDER)	6	-	>>	>=40785		0.01
110	04612-00300	CIR-CLIP,EXTERNAL	2	-				0.003
120	75599-51345	PIN,CLEVIS(3/8*2.25)	2	-			3/8	0.05
130	K5112-72730	RING,SNAP	2	-		<=40878		0.01
130	K5112-72733	RING(SNAP)	2	-	>>	>=40879		0.01
140	K5681-34210	SHAFT,FRONT WHEEL	2	-		<=40737		0.0
140	K5681-34212	SHAFT(FRONT WHEEL)	2	-	>>	>=40738		0.0
150	K5651-34220	COLLAR,WHEEL	4	-		<=40401		0.09
150	K5651-34222	COLLAR,WHEEL	4	-	>>	>=40402		0.092
160	04512-50120	WASHER,SPRING LOCK	2	-				0.003
170	02074-50120	NUT	2	-				0.015

≡ Interchangeable    NI Not Interchangeable    >> New for Old    << Old for New

No.	Part No.	Part Name	Qty	FRT[h]	IC	Serial No./PIN	Remarks	Kg
001	K5651-95300	WHEEL(FRONT),ASSY	2	-				0.0
010	K5651-42240	WHEEL,FRONT	2	-				2.12
020	K5651-34200	HOLDER GAUGE	2	-				2.75
030	07715-00803	BALL	2	-				0.002
040	K5651-43130	SPRING,BALL	2	-		<=40786		0.005
040	K5651-43132	SPRING(BALL)	2	-	>>	>=40787		0.006
050	K1122-15150	NIPPLE,GREASE	2	-		<=40475	M6*1.0	0.002
050	K1122-15152	NIPPLE(GREASE,M6*1.0)	2	-	>>	>=40476	M6*1.0	0.002
060	02074-50120	NUT	2	-				0.015
070	01073-51225	BOLT	2	-				0.035
080	K5651-42190	BUSHING,GAUGE HOLDER	4	-				0.045
090	K5681-43110	SHAFT,HOLDER	2	-		<=40737		0.0
090	K5681-43112	SHAFT(HOLDER)	2	-	>>	>=40738		0.0

This content is the information at the time of publication on this site.  
Information such as the part name and part number may be different from the present.  
Illustrations of products and parts that are posted are image diagrams.  
b7e36d9c-1da9-418b-88ff-ad9a5b9b9574

This content is the information at the time of publication on this site.  
Information such as the part name and part number may be different from the present.  
Illustrations of products and parts that are posted are image diagrams.  
b7e36d9c-1da9-418b-88ff-ad9a5b9b9574



≡ Interchangeable    NI Not Interchangeable    >> New for Old    << Old for New

No.	Part No.	Part Name	Qty	FRT[h]	IC	Serial No./PIN	Remarks	Kg
010	K5681-44210	SUPPORT, STAY ROLLER	2	-				0.0
020	01073-51025	BOLT	4	-				0.025
030	04512-50100	WASHER,SPRING LOCK	4	-				0.003
040	K5651-44220	STAY	2	-				0.84
050	K5651-46250	ROLLER,ANTI-SCALP	2	-				0.38
060	75599-32015	WASHER,PLAIN(1/2)	4	-			1/2	0.01
070	K5651-46180	PIN,GAUGE	4	-		<=40436		0.15
070	K5651-46182	PIN,GAUGE	4	-	>>	>=40437		0.15
070	K5651-46183	PIN(GAUGE)	4	-	>>	>=40438		0.15
080	75599-53173	PIN,COTTER(1/8*1)	8	-			1/8*1	0.002
090	K5651-46190	PIN,ROLLER STAY	2	-		<=40478		0.125
090	K5651-46192	PIN,ROLLER STAY	2	-	>>	>=40479		0.125
100	K5651-42320	SPRING(ROLLER STAY)	2	-		<=40737		0.009

≡ Interchangeable    NI Not Interchangeable    >> New for Old    << Old for New

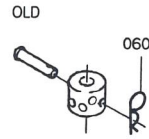
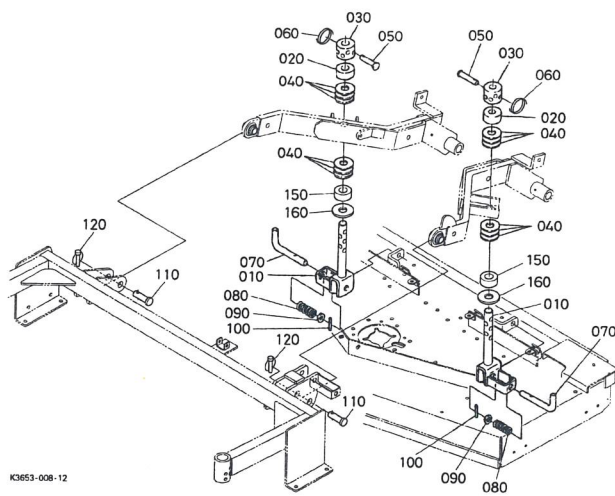
No.	Part No.	Part Name	Qty	FRT[h]	IC	Serial No./PIN	Remarks	Kg
100	K5651-42322	SPRING(ROLLER STAY)	2	-	>>	>=40738		0.009
110	04011-50120	WASHER,PLAIN	2	-				0.005
110	K1022-50120	WASHER(PLAIN)	2	-	≡			0.003
120	75599-52325	PIN,SPRING(5/32*1.25)	2	-			5/32*1.25	0.002
130	K5681-46110	BRACKET LH	1	-				0.0
140	K5681-46120	BRACKET RH	1	-				0.0
150	01073-51030	BOLT	4	-				0.028
160	04512-50100	WASHER,SPRING LOCK	4	-				0.003
170	02018-50100	NUT	4	-				0.011
180	K5651-46270	ROLLER,ANTI-SCALP	1	-				0.63
190	K5651-44170	SHAFT	1	-		<=40322		0.5
190	K5651-44173	SHAFT,ANTISCALP	1	-	>>	>=40323		0.5
200	K1122-15150	NIPPLE,GREASE	1	-		<=40475	M6*1.0	0.002
200	K1122-15152	NIPPLE(GREASE,M6*1.0)	1	-	>>	>=40476	M6*1.0	0.002
210	75599-32018	WASHER,PLAIN	2	-				0.017
220	02074-50120	NUT	1	-				0.015
230	04512-50120	WASHER,SPRING LOCK	1	-				0.003

S20002 MOWER LINKAGE ## RCK60R-F36EC  
RCK60R-F36EC MOWER

Update Date: 2018/07/19  
Printing Date: 2022/03/09

S20002 MOWER LINKAGE ## RCK60R-F36EC  
RCK60R-F36EC MOWER

Update Date: 2018/07/19  
Printing Date: 2022/03/09

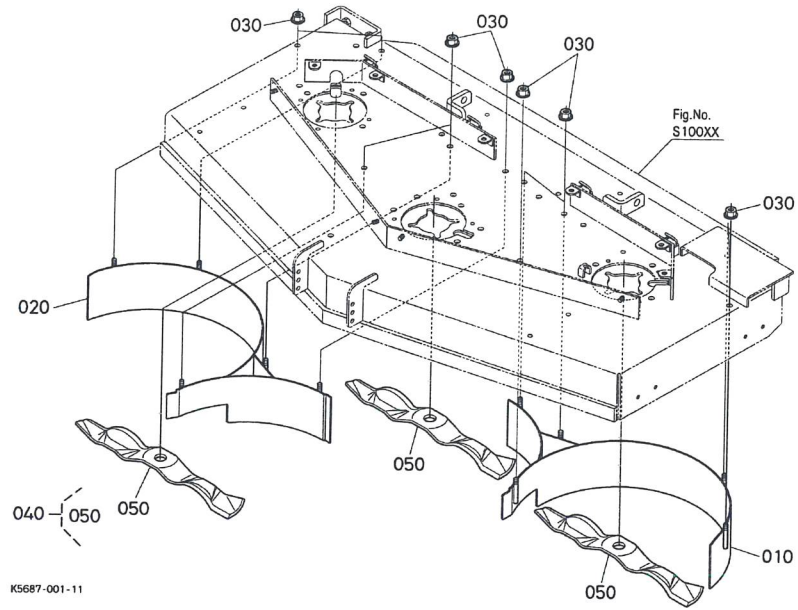


≡ Interchangeable    NI Not Interchangeable    >> New for Old    << Old for New

No.	Part No.	Part Name	Qty	FRT[h]	IC	Serial No./PIN	Remarks	Kg
110	K5651-71360	PIN,CLEVIS	2	-		<=40437		0.21
110	K5651-71362	PIN,JOINT	2	-	>>	>=40438		0.21
120	K5651-37640	PIN,SET	2	-				0.05
150	K5651-51200	CUSHION, UNDER	2	-				0.0
160	K5651-27350	WASHER,PLAIN	2	-		<=40759		0.0
160	K5651-27352	WASHER(PLAIN)	2	-	>>	>=40760		0.0

≡ Interchangeable    NI Not Interchangeable    >> New for Old    << Old for New

No.	Part No.	Part Name	Qty	FRT[h]	IC	Serial No./PIN	Remarks	Kg
010	K5681-51170	ROD REAR	2	-		<=11746		0.0
010	K5681-51172	ROD REAR	2	-	>>	>=11747		0.0
020	K5651-51190	CUSHION	2	-				0.039
030	K5681-51210	COLLAR,ROD	2	-				0.0
040	K5651-21670	SPACER	12	-				0.025
050	75599-51345	PIN,CLEVIS(3/8*2.25)	2	-				0.05
060	75599-56004	PIN,SNAP	2	-		<=10005		0.01
060	K5112-72730	CIRCLIP	2	-	NI	>=10006		0.01
060	K5142-72730	RING,SNAP	2	-	NI	>=11747		0.003
060	K5142-72732	RING(SNAP,2)	2	-	>>	>=40785		0.003
070	K5651-44650	PIN(REAR)	2	-		<=40475		0.2
070	K5651-44652	PIN,REAR	2	-	>>	>=40476		0.2
080	K5651-44670	SPRING,PIN	2	-		<=40737		0.21
080	K5651-44672	SPRING(PIN)	2	-	>>	>=40738		0.21
090	75599-32016	WASHER,PLAIN(9/16)	2	-				0.009
100	75599-52532	PIN,SPRING(7/32*1-5/8)	2	-				0.005



≡ Interchangeable    NI Not Interchangeable    >> New for Old    << Old for New

No.	Part No.	Part Name	Qty	FRT[h]	IC	Serial No./PIN	Remarks	Kg
010	K5687-92110	PLATE,MULCH LH	1	-				0.0
020	K5687-92150	PLATE,MULCH RH	1	-				0.0
030	02131-50100	NUT	10	-				0.01
040	K5647-97590	KIT,BLADE MULCH 60P	1	-				4.6
050	K5647-92340	BLADE,MULCHING	3	-				0.0