



- U.S.A. : **KUBOTA TRACTOR CORPORATION**
1000 Kubota Drive, Grapevine, TX 76051
Telephone : 888-4KUBOTA
- Canada : **KUBOTA CANADA LTD.**
5900 14th Avenue, Markham, Ontario, L3S 4K4, Canada
Telephone : (905)294-7477
- France : **KUBOTA EUROPE S.A.S.**
19-25, Rue Jules Vercrey, Z.I. BP88, 95101 Argenteuil Cedex, France
Telephone : (33)1-3426-3434
- Italy : **KUBOTA EUROPE S.A.S Italy Branch**
Via Grandi, 29 20068 Peschiera Borrome (MI) Italy
Telephone : (39)02-51650377
- Germany : **KUBOTA (DEUTSCHLAND) GmbH**
Senefelder Str. 3-5 63110 Rodgau /Nieder-Roden, Germany
Telephone : (49)6106-873-0
- U.K. : **KUBOTA (U.K.) LTD.**
Dorner Road, Thame, Oxfordshire, OX9 3UN, U.K.
Telephone : (44)1844-214500
- Spain : **KUBOTA ESPAÑA S.A.**
Avenida Recomba No.5, Poligno Industrial la Laguna, Leganes, 28914 (Madrid) Spain
Telephone : (34)91-508-6442
- Australia : **KUBOTA AUSTRALIA PTY LTD.**
25-29 Permas Way, Truganina, VIC 3029, Australia
Telephone : (61)-3-9394-4400
- Malaysia : **KUBOTA MALAYSIA SDN. BHD.**
No.3 Jalan Sepadu 25/123 Taman Perindustrian Axis,
Seksyen 25, 40400 Shah Alam, Selangor Darul Ehsan Malaysia
Telephone : (60)3-736-1388
- Philippines : **KUBOTA PHILIPPINES, INC.**
232 Quirino Highway, Baesa, Quezon City 1106, Philippines
Telephone : (63)2-422-3500
- Taiwan : **SHIN TAIWAN AGRICULTURAL MACHINERY CO., LTD.**
16, Fengping 2nd Rd, Taliaw Shiang Kaohsiung 83107, Taiwan R.O.C.
Telephone : (886)7-702-2333
- Indonesia : **PT KUBOTA MACHINERY INDONESIA**
Tower A at EightyEight@Kasablanka Lantai 16
Jalan Raya Casablanka Kav. 88, Jakarta 12870 Indonesia
Telephone : (62)-21-29568-720
- Thailand : **SIAM KUBOTA CORPORATION CO., LTD.**
101/19-24 Moo 20, Navanakorn Industrial Estate, Tambon Khlongnueng, Amphur Khlongluang,
Pathumthani 12120, THAILAND
Telephone : (66)2-909-0300
- Korea : **KUBOTA KOREA CO., LTD.**
41-27, Jayumyeok-gil, Baeksan-myeon, Gimje-si, Jeollabuk-do, Korea
Telephone : (82)-63-544-5822
- India : **KUBOTA AGRICULTURAL MACHINERY INDIA PVT. LTD.**
No.15, Medavakkam Road, Sholinganallur, Chennai-600119, T.N., India
Telephone : (91)44-6104-1500
- Vietnam : **KUBOTA VIETNAM CO., LTD.**
Lot B-3A2-CN, My Phuoc 3 Industrial Park, Thoi Hoa Ward, Ben Cat Town, Binh Duong Province, Vietnam
Telephone : (84)-274-3577-507

KUBOTA Corporation

English, French, German (Europe)
Code No.
N° de code. K7313-7123-2
Code-Nr.

AX . H . 13 - 13 . . . AK

OPERATOR'S MANUAL MANUEL DE L'UTILISATEUR BEDIENUNGSANLEITUNG

KUBOTA *RTV500*

UTILITY VEHICLE
VÉHICULE UTILITAIRE
NUTZFAHRZEUG



1AYAAAYAP0030

R
T
V
5
0
0

READ AND SAVE THIS MANUAL
MANUEL A LIRE ET A CONSERVER
DIESE ANLEITUNG SORGFÄLTIG
DURCHLESEN UND AUFBEWAHREN

KUBOTA Corporation C'EST ...

Depuis sa fondation en 1890, KUBOTA Corporation a progressé pour figurer au rang des plus grandes entreprises du Japon.

Pour parvenir à cette position, la Société a diversifié, au cours des années, la gamme de ses produits et services de façon remarquable.

Aujourd'hui, 30 usines et 35,000 employés produisent plus de 1,000 articles et produits différents petits et grands.

Tous ces produits et les services qui en dépendent sont toutefois liés à un souci majeur:

KUBOTA fabrique des produits qui, pris à une échelle nationale sont des nécessités de base, produits indispensables, produits conçus pour aider les hommes et leurs nations à tirer parti du potentiel inhérent à leur environnement, KUBOTA est le géant des nécessités de base.

Ce potentiel inclut l'approvisionnement en eau, la production d'aliments tirés du sol et de la mer, le développement industriel, l'architecture, la construction et les transports.

Des milliers de personnes font confiance au savoir faire de KUBOTA, à sa technologie, à son expérience et à son service après vente, vous aussi pouvez faire confiance à KUBOTA.

KUBOTA ist ...

Seit der Firmengründung im Jahre 1890 ist KUBOTA zu einem der wichtigsten Unternehmen in Japan angewachsen.

Hierzu hat zum großen Teil die ständige Erweiterung der Produktpalette und das ständig wachsende Angebot an Dienstleistungen beigetragen. Heute werden von 35000 Beschäftigten in 30 Werken mehr als 1000 verschiedene Produkte hergestellt.

Das vorrangige Ziel von KUBOTA ist es, mit seinen Produkten und den dazugehörigen Dienstleistungen Grundbedürfnissen gerecht zu werden, auch auf internationaler Ebene.

Die von KUBOTA hergestellten Produkte sind unverzichtbar; sie helfen einzelnen Personen, sogar ganzen Nationen die örtlich gegebenen Möglichkeiten in Bereichen wie Wasserversorgung, Landwirtschaft, Fischerei, Industrie, Architektur, Bau- und Transportwesen bestmöglich auszuschöpfen. Tausende bauen auf KUBOTA -und Sie?

KUBOTA Corporation is ...

Since its inception in 1890, KUBOTA Corporation has grown to rank as one of the major firms in Japan.

To achieve this status, the company has through the years diversified the range of its products and services to a remarkable extent, until today, 30 plants and 35,000 employees produce over 1,000 different items, large and small.

All these products and all the services which accompany them, however, are unified by one central commitment. KUBOTA makes products which, taken on a national scale, are basic necessities. Products which are indispensable, products intended to help individuals and nations fulfill the potential inherent in their environment. For KUBOTA is the Basic Necessities Giant.

This potential includes water supply, food from the soil and from the sea, industrial development, architecture, construction and transportation.

Thousands of people depend on KUBOTA's know-how, technology, experience and customer service. You too can depend on KUBOTA.

OPERATOR'S MANUAL

KUBOTA
UTILITY VEHICLE

RTV500



1AYAAAYAP0030

READ AND SAVE THIS MANUAL
- Original instructions -

Kubota

ABBREVIATION LIST

Abbreviations	Definitions
2WD	Two Wheel Drive
4WD	Four Wheel Drive
API	American Petroleum Institute
ASTM	American Society for Testing and Materials, USA
HST	Hydrostatic Transmission
Km/h	Kilometers Per Hour
MPH	Miles Per Hour
m/s	Meters Per Second
PTO	Power Take Off
RH/LH	Right-hand and left-hand sides are determined by facing in the direction of forward travel
ROPS	Roll-Over Protective Structures
rpm	Revolutions Per Minute
r/s	Revolutions Per Second
SAE	Society of Automotive Engineers, USA
VHT	Variable Hydro Transmission

Intended use

This machine is designed solely for use in customary agricultural or similar operations. Use in any other way is considered as contrary to the intended use. Compliance with and strict adherence to the conditions of operation, service, and repair as specified by the manufacturer, also constitute essential elements of the intended use.

This machine should be operated, serviced, and repaired only by persons who are familiar with its particular characteristics and who are acquainted with the relevant safety procedures.





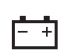







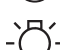
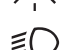





Accident prevention regulations, all other generally recognized regulations on safety and occupational medicine, and all road traffic regulations must be observed at all times.

Any arbitrary modifications carried out to this machine may relieve the manufacturer of liability for any resulting damage or injury.

manufacturer or distributor of the machine	Kubota Corporation
the model designation of the machine	RTV500-EU
the name or type of publication	Operator's Manual
the part number or publication number by which the manual may be ordered	K7313-7123-2
the date of issue	27 December 2012
the publication date	25 July 2019
the language in which the manual is written	English

UNIVERSAL SYMBOLS

As a guide to the operation of your vehicle, various universal symbols have been utilized on the instruments and controls. The symbols are shown below with an indication of their meaning.

-  Safety Alert Symbol
-  Engine Coolant-Temperature
-  Brake
-  Brake & Parking Brake
-  Battery Charging Condition
-  Engine Oil-Pressure
-  Turn Signal
-  Engine-Stop
-  Engine-Run
-  Engine-Diagnostic
-  Starter Control
-  Differential Lock
-  Master Lighting Switch
-  Headlight
-  Audible Warning Device
-  Four-Wheel Drive-On
-  Four-Wheel Drive-Off
-  Lock
-  Unlock

FOREWORD

You are now the proud owner of a KUBOTA Vehicle. This vehicle is a product of KUBOTA quality engineering and manufacturing. It is made of excellent materials and under a rigid quality control system. It will give you long, satisfactory service. To obtain the best use of your vehicle, please read this manual carefully. It will help you become familiar with the operation of the vehicle and contains many helpful hints about vehicle maintenance. This manual contains instructions for minor maintenance, but information about major repairs is outlined in the KUBOTA Work Shop Manual and should be performed only by a KUBOTA Dealer Technician. It is KUBOTA's policy to utilize as quickly as possible every advance in our research. The immediate use of new techniques in the manufacture of products may cause some small parts of this manual to become outdated. KUBOTA distributors and dealers will have the most up-to-date information. Please do not hesitate to consult with them.



SAFETY FIRST

This symbol, the industry's "Safety Alert Symbol", is used throughout this manual and on labels on the machine itself to warn of the possibility of personal injury. Read these instructions carefully. It is essential that you read the instructions and safety regulations before you attempt to assemble or use this unit.



DANGER : Indicates an imminently hazardous situation which, if not avoided, will result in death or serious injury.



WARNING : Indicates a potentially hazardous situation which, if not avoided, could result in death or serious injury.



CAUTION : Indicates a potentially hazardous situation which, if not avoided, could result in minor or moderate injury.

IMPORTANT : Indicates that equipment or property damage could result if instructions are not followed.

NOTE : Gives helpful information.

CONTENTS

- ▲ SAFE OPERATION ▲-1
- SERVICING OF VEHICLE 1
- SPECIFICATIONS 2
 - SPECIFICATION TABLE 2
 - TRAVELING SPEEDS 3
- VEHICLE LIMITATIONS 4
- INSTRUMENT PANEL AND CONTROLS 5
 - LOCATION OF PARTS 5
- PRE-OPERATION CHECK 9
 - DAILY CHECK 9
- OPERATING THE ENGINE 10
 - STARTING THE ENGINE 10
 - Cold Weather Starting 12
 - STOPPING THE ENGINE 12
 - WARMING UP 12
 - Warm-Up Transmission Oil in the Low Temperature Range 12
 - JUMP STARTING 13
- OPERATING THE VEHICLE 14
 - OPERATING NEW VEHICLE 14
 - Do not Operate the Vehicle at Full Speed for the First 50 Hours 14
 - Changing Lubricating Oil for New Vehicles 14
 - STARTING 14
 - Seat Belt 14
 - Head Light Switch 15
 - Horn Button 15
 - Brake Pedal 16
 - Range Gear Shift Lever 16
 - 4WD Lever 17
 - Parking Brake Lever 17
 - Speed Control Pedal 18
 - STOPPING 18
 - Stopping 18
 - CHECK DURING DRIVING 18
 - Immediately Stop the Engine if: 18
 - Easy Checker(TM) 19
 - Fuel Gauge 19
 - Coolant Temperature Gauge 20
 - Hourmeter 20
 - PARKING 20
 - Parking Brake Lever 20
 - ACCESSORY 21
 - 12V Electric Outlet 21
 - OPERATING TECHNIQUES 21

Differential Lock	21
Unfamiliar Terrain	22
Driving in Reverse	22
Driving in "4WD"	23
Turning the Vehicle	23
Hills	24
Traversing Hillsides	24
Sliding and Skidding	24
Driving through Water	25
CARGO BED	26
CARGO BED	26
General Caution	26
Max. Cargo Load	26
Cargo Bed Tailgate	27
Raising and Lowering the Cargo Bed	28
TIRES AND WHEELS	29
TIRES	29
Inflation Pressure	29
Tire Type and Use	29
WHEELS	30
SHOCK ABSORBERS	30
Rear Shock Absorber Spring Adjustment	30
TOWING	31
TRAILER HITCH	31
Rear Trailer Hitch	31
Front Trailer Hitch	31
MAINTENANCE	32
SERVICE INTERVALS	32
LUBRICANTS, FUEL AND COOLANT	35
PERIODIC SERVICE	37
HOW TO OPEN THE HOOD AND TILT THE SEAT	37
Hood	37
Operator's Seat	38
HOW TO RAISE THE CARGO BED	38
Raising and Lowering the Cargo Bed	38
JACK-UP POINT	39
Front End	39
Rear End	39
DAILY CHECK	40
Walk Around Inspection	40
Checking Amount of Fuel and Refueling	40
Checking Engine Oil Level	41
Checking Transmission Fluid Level	42
Checking Coolant Level	42
Cleaning Radiator Screen	43
Checking Engine Cooling Fan	43
Checking Brake Fluid Level	44
Checking Brake Pedal	44

Checking Parking Brake	45
Checking Gauges, Meter and Easy Checker(TM).....	45
Checking Head Light, etc.....	45
Checking Seat Belt and ROPS	45
Checking Joint Boot.....	45
Checking Tire Inflation Pressure.....	46
EVERY 50 HOURS	46
Greasing	46
Checking Engine Start System	48
EVERY 100 HOURS	48
Checking VHT Neutral Spring.....	48
Checking Wheel Bolt Torque	48
Cleaning Air Cleaner Primary Element.....	49
Cleaning Pre Cleaner Element	49
Adjusting Alternator Drive Belt Tension	50
Checking Fuel Line	52
Checking Carbon Canister Air Filter	53
Checking Battery Condition	54
Adjusting Toe-in.....	55
Cleaning Spark Arrester	56
EVERY 200 HOURS	56
Adjusting Parking Brake Lever	56
Replacing Engine Oil Filter	57
Changing Engine Oil.....	57
Cleaning Radiator Cooling Fins	58
Replacing Transmission Oil Filter	59
Checking Spark Plug Condition & Gap.....	60
Checking Brake Pedal	61
Checking Brake Light Switch	62
EVERY 300 HOURS	62
Checking Tire.....	62
EVERY 400 HOURS	63
Changing Transmission Oil.....	63
Changing Front Axle Case Oil	64
EVERY 500 HOURS	64
Adjusting Engine Valve Clearance	64
Checking Engine Timing Belt.....	64
EVERY 1000 HOURS	64
Replacing Engine Timing Belt.....	64
EVERY AFTER 1000 HOURS	64
Cleaning Engine Combustion Chamber	64
EVERY 1000 HOURS or EVERY 1 YEAR.....	64
Replacing Air Cleaner Primary Element and Secondary Element.....	64
Replacing Pre Cleaner Element	64
EVERY 2000 HOURS or EVERY 2 YEARS	65
Flushing Cooling System and Changing Coolant	65
Anti-Freeze	65
EVERY 1 YEAR	66
Checking Radiator Hose and Clamp	66
Checking Intake Air Line.....	67
Checking Engine Breather Hose	67
Checking Brake Hose and Pipe.....	67

EVERY 2 YEARS.....	68
Changing Brake Fluid	68
Replacing Fuel Hose	68
EVERY 4 YEARS.....	68
Replacing Radiator Hose (Water pipes)	68
Replacing Engine Breather Hose	68
Replacing Brake Master Cylinder (Inner Parts)	68
Replacing Intake Air Line.....	68
Replacing Brake Hose.....	68
SERVICE AS REQUIRED.....	69
Checking Brake Pad.....	69
Adjusting Parking Brake	69
Adjusting Alternator Drive Belt Tension	69
Replacing Fuse.....	70
Replacing Slow-Blow Fuses	71
Replacing Light Bulb.....	71
STORAGE	72
VEHICLE STORAGE	72
REMOVING THE VEHICLE FROM STORAGE.....	72
TROUBLESHOOTING.....	73
ENGINE TROUBLESHOOTING	73
BATTERY TROUBLESHOOTING	75
MACHINE TROUBLESHOOTING	76
OPTIONS.....	77
ENGINE EMISSION RELATED INFORMATION.....	78
INDEX.....	79



SAFE OPERATION

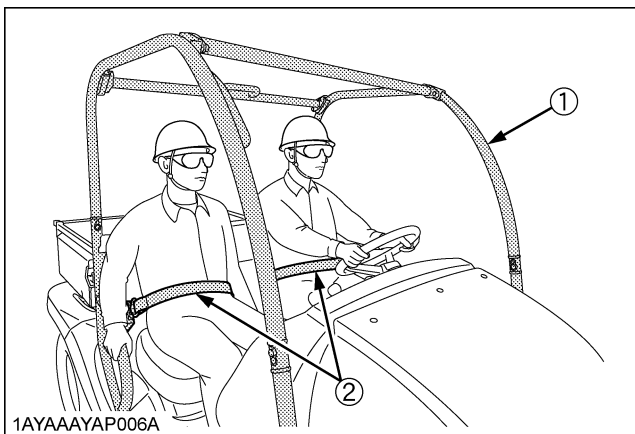
Careful operation is your best insurance against an accident.

Read and understand this Operator's Manual carefully before operating the vehicle.

All operators, no matter how much experience they may have, should read this and other related manuals before operating the vehicle or any implement attached to it. It is the owner's obligation to instruct all operators in safe operation.

1. BEFORE OPERATING THE VEHICLE

1. Know your equipment and its limitations. Read this entire manual before attempting to start and operate the vehicle.
2. Pay special attention to the pictorial safety labels on the vehicle.
3. Do not remove Roll-Over Protective Structures (ROPS) for any application and fasten seat belts at all times. This combination will reduce the risk of serious injury or death, should the vehicle be upset. If the ROPS is loosened or removed for any reason, make sure that all parts are reinstalled correctly before operating the vehicle. Never modify or repair a ROPS because welding, bending, drilling, grinding, or cutting may weaken the structure. A damaged ROPS structure must be replaced, not repaired or revised. If any structural member of the ROPS is damaged, replace the entire structure at your local KUBOTA Dealer.



(1) ROPS
(2) Seat belt

4. Always use the seat belts. Check the seat belts regularly and replace if frayed or damaged.

5. Do not operate the vehicle or any implement attached to it while under the influence of alcohol, medication, controlled substances or while fatigued.
6. Carefully check the vicinity before operating the vehicle or any implement attached to it. Check for overhead clearance which may interfere with the CAB or ROPS. Do not allow any bystanders around or near the vehicle during operation.
7. Never allow anyone without a valid driver's license to operate this vehicle.
8. Before allowing other people to use your vehicle, explain how to operate and have them read this manual before operation.
9. Never wear loose, torn, or bulky clothing around the vehicle. It may catch on moving parts or controls, leading to the risk of an accident. Use additional safety items, e.g. helmet, safety boots or shoes, eye and hearing protection, gloves, etc., as appropriate or required.
10. This vehicle is for off road use only. KUBOTA does not recommend operating on public roads.
11. In addition to the driver, only 1 passenger should ride in the vehicle. Minimum age for passenger is 5 years old.
12. Keep all shields in place and stay away from all moving parts.
13. Check brakes, speed control pedal, and other mechanical parts for improper adjustment and wear. Replace worn or damaged parts promptly. Check the tightness of all nuts and bolts regularly. (For further details, see "MAINTENANCE" section.)
14. Keep your vehicle clean. Dirt, grease, and trash build up may contribute to fires and lead to personal injury.
15. Use only implements meeting the specifications listed under "VEHICLE LIMITATIONS" in this manual or implements approved by KUBOTA.
16. The maximum cargo capacity of this vehicle is 200kg. Reduce cargo capacity to match operating conditions. Do not carry anything which raises the center-of-gravity and sticks outside the cargo bed.
17. Do not modify the vehicle. Unauthorized modification may affect the function of the vehicle, which may result in personal injury.

2. OPERATING THE VEHICLE

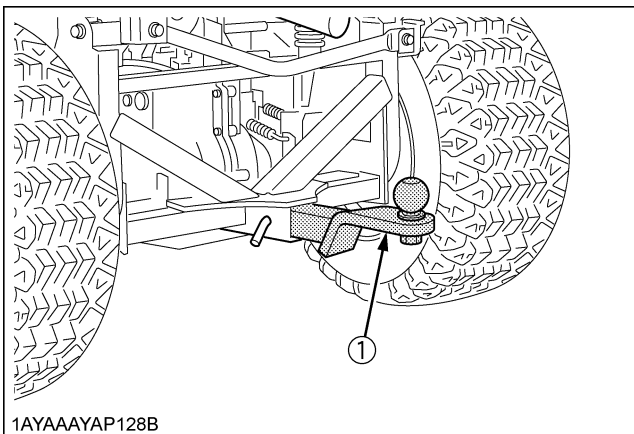
Operator safety is a priority. Safe operation, specifically with respect to overturning hazards, entails understanding the equipment and environmental conditions at the time of use. Some prohibited uses which can affect overturning hazards include traveling and turning with implements and loads carried too high etc. This manual sets forth some of the obvious risks, but the list is not, and cannot be, exhaustive. It is the operator's responsibility to be alert for any equipment or environmental condition that could compromise safe operation.

◆ Starting

1. Always sit in the operator's seat when starting engine or operating levers or controls.
2. Before starting the engine, make sure that all levers are in their neutral positions, that the parking brake is engaged.
3. Do not start engine by shorting across starter terminals or bypassing the safety start switch. The vehicle may start in gear and move if normal starting circuitry is bypassed.
4. Be sure that the operator (and passenger) seat belts are fastened.
5. Do not operate or idle engine in a non-ventilated area. Carbon monoxide gas is colorless, odorless, and deadly.

◆ Operating

1. Do not wear headphones while operating.
2. Pull only from the trailer hitch (if equipped). Never hitch to axle housing or any other point except trailer hitch; such arrangements will increase the risk of serious personal injury or death due to a vehicle upset.



(1) Trailer hitch (if equipped)

3. Keep all shields and guards in place. Replace any that are missing or damaged.
4. Avoid sudden starts. To avoid upsets, slow down when turning, on uneven ground, and before stopping.

5. The vehicle cannot turn with the differential locked and attempting to do so could be dangerous.
6. Do not operate near ditches, holes, embankments, or other ground surface features which may collapse under the vehicle's weight. The risk of vehicle upset is even higher when the ground is loose or wet.
7. Watch where you are going at all times. Watch for and avoid obstacles. Be alert at row ends, near trees, and other obstructions.
8. When working in groups, always let the others know what you are going to do before you do it.
9. Never try to get on or off a moving vehicle.
10. Do not stand between vehicle and trailer unless parking brake is applied.

◆ Safety for children

Tragedy can occur if the operator is not alert to the presence of children. Children generally are attracted to vehicles and the work they do.

1. Never assume that children will remain where you last saw them.
2. Keep children out of the work area and under the watchful eye of another responsible adult.
3. Be alert and shut your vehicle down if children enter the work area.
4. Never carry children in the cargo bed. There is no safe place for them to ride. No person under the age of 5 may ride as a passenger in this vehicle. A passenger under 5 years of age requires special restraints which are not available with this vehicle.
5. Never allow children to operate the vehicle even under adult supervision.
6. Never allow children to play on the vehicle or on the implement.
7. Use extra caution when backing up. Look behind and down to make sure area is clear before moving.
8. Whenever possible, park your vehicle on a firm, flat and level surface. If this is not possible, park it across the slope. Set the parking brake(s), lower the implements to the ground, remove the key from the ignition and chock the wheels.

◆ Operating on slopes

Slopes are a major factor related to loss-of-control and tip-over accidents, which can result in severe injury or death. All slopes require extra caution.

1. Travel straight up or down hill.
2. Reduce load when operating on hilly or over rough terrain.
3. Keep front wheels straight at crest of hill or going over bumps.
4. Do not stop or start suddenly when going uphill or downhill. Be especially cautious when changing direction on slopes.

5. If vehicle stops or loses power going up a hill, lock parking brake to hold vehicle on slope. Maintain direction of travel and release brake slowly. Back straight downhill while maintaining control. Do not turn vehicle sideways. Vehicle is more stable in a straight forward or rearward position.
6. When riding on soft terrain, turn front wheels slightly uphill to keep vehicle on a straight line across the hill.
7. If the vehicle begins to tip, turn front wheels downhill to gain control before proceeding.
 - (1) To avoid upsets, always back up steep slopes. If you cannot back up the slope or if you feel uneasy on it, do not operate on it. Stay off slopes too steep for safe operation.
 - (2) Driving forward out of a ditch, mired condition or up a steep slope increases the risk of a vehicle to be upset backward. Always back out of these situations. Extra caution is required with 4-wheel drive mode because the increased traction can give the operator false confidence in the vehicle's ability to climb slopes.
 - (3) Keep all movement on slopes slow and gradual. Do not make sudden changes in speed, direction or apply brake and make sudden motions of the steering wheel.
 - (4) Special attention should be made to the weight and location of implements and loads as such will affect the stability of the vehicle.

◆ Operation in inclement conditions

1. Only operate during daylight or with good artificial light.
2. Operate vehicle in an open, unobstructed area.
3. Use helmet and/or protective gear for certain operating conditions.
4. Reduce speed according to trail, terrain and visibility conditions.
5. Never drive exceeding the limit of visibility. Slow down near crest of hill until getting a clear view of the other side.
6. Stay alert for holes, rocks and other hidden hazards in the terrain.
7. Never cross any body of water where depth may be unknown to the operator (Deep water is considered anything above the bottom edge of the axle cap). Choose a course within the waterway where both banks have a gradual incline. Cross at a point known to be safe.

◆ Driving the vehicle at high speeds

1. Check the front wheel engagement. The braking characteristics are different between 2 and 4 wheel drive. Be aware of the difference and use carefully.
2. Always slow the vehicle down before turning. Turning at high speed may tip the vehicle over.
3. Turn the headlights on.
4. Drive at speeds that allow you to maintain control at all times.

5. Do not apply the differential lock while traveling at high speeds. The vehicle may run out of control.
6. Avoid sudden motions of the steering wheel as they can lead to a dangerous loss of stability. The risk is especially great when the vehicle is traveling at high speeds.

◆ Other miscellaneous

1. Clean platform if dirty and remove any debris from around foot controls.
2. Always keep both hands on the steering wheel.
3. Always keep arms and legs inside the operating compartment.
4. Never operate the vehicle while standing.
5. Do not tow a cart with any riders on it.
6. Never attempt wheelies, jumps or other stunts.

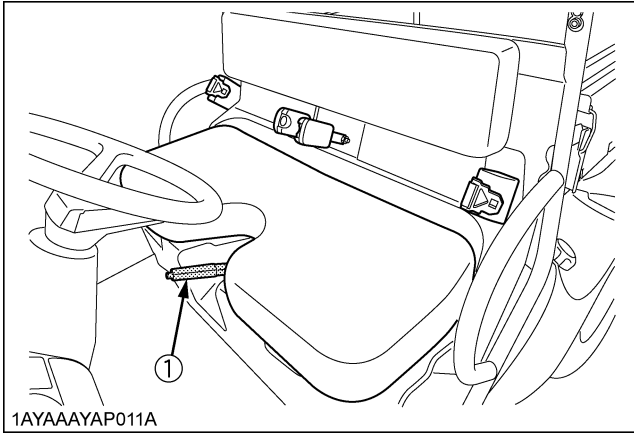
3. HAULING LOADS IN THE CARGO BED

1. No riders in cargo bed or anywhere else.
2. Do not overload vehicle. Securely anchor all loads.
3. Be sure load is evenly distributed.
4. Reduce cargo capacity when operating on rough or hilly terrain.
5. Balance loads evenly and secure them. Braking could shift the load and affect vehicle stability.
6. Never operate vehicle with the cargo bed raised.
7. Operate cargo bed dump with vehicle stationary and parking brake locked. Do not dump while moving.
8. Operate the cargo bed dump on level ground only.
9. Do not place hands or body under the cargo bed when lowering bed.

4. PARKING THE VEHICLE

1. Lower all implements to the ground, place all control levers in their neutral positions, set the parking brake, stop the engine, and remove the key.
2. Make sure that the vehicle has come to a complete stop before dismounting.
3. Avoid parking on steep slopes, if at all possible park on a firm and level surface; if not, park across a slope with chock the wheels and always with attachment on the ground.
Failure to comply with this warning may allow the vehicle to move and could cause injury or death.

▲-4 SAFE OPERATION



1AYAAAYAP011A

(1) Parking brake lever

5. TRANSPORTING

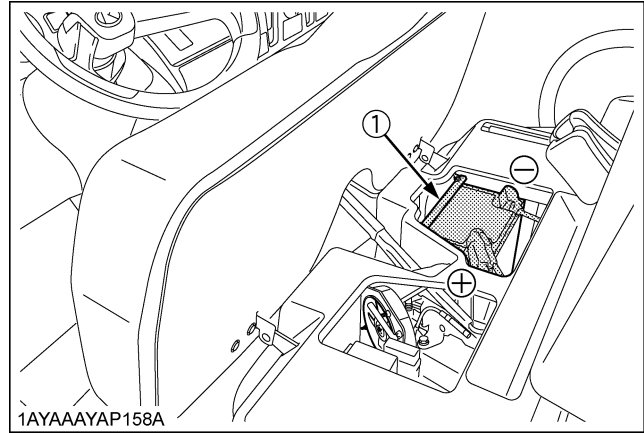
1. Disengage power to attachment(s) when transporting or not in use.
2. Do not tow this vehicle. Use a suitable truck or trailer when transporting on public roads.
3. Use extra care when loading or unloading the vehicle into a trailer or truck.

6. SERVICING THE VEHICLE

Before servicing the vehicle, park it on a firm, flat and level surface, set the parking brake, lower all implements to the ground, place the range gear shift lever in neutral, stop the engine and remove the key.

1. Allow the vehicle time to cool off before working on or near the engine, muffler, radiator, etc.
2. Always stop the engine before refueling. Avoid spills and overfilling.
3. Do not smoke when working around battery or when refueling. Keep all sparks and flames away from battery and fuel tank. The battery presents an explosive hazard, because it gives off hydrogen and oxygen especially when recharging.
4. Before "jump starting" a dead battery, read and follow all of the instructions. (See "JUMP STARTING" in "OPERATING THE ENGINE" section.)
5. Keep first aid kit and fire extinguisher handy at all times.
6. Disconnect the battery's ground cable before working on or near electric components.
7. To avoid the possibility of battery explosion, do not use or charge the refillable type battery if the fluid level is below the LOWER (lower limit level) mark. Check the fluid level regularly and add distilled water as required so that the fluid level is between the UPPER and LOWER marks.

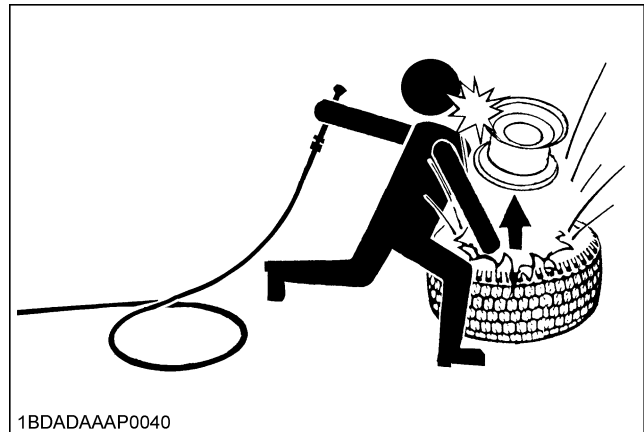
8. To avoid sparks from an accidental short circuit, always disconnect the battery's ground cable (-) first and reconnect it last.



1AYAAAYAP158A

(1) Battery

9. Do not remove radiator cap while coolant is hot. When cool, slowly rotate cap to the first stop and allow sufficient time for excess pressure to escape before removing the cap completely. If the vehicle has a coolant recovery tank, add coolant or water to the tank, not the radiator. (See "Checking Coolant Level" in "DAILY CHECK" in "PERIODIC SERVICE" section.)
10. Do not attempt to mount a tire on a rim. This should be done by a qualified person with the proper equipment.
11. Always maintain the correct tire pressure. Do not inflate tires above the recommended pressure shown in the operator's manual.

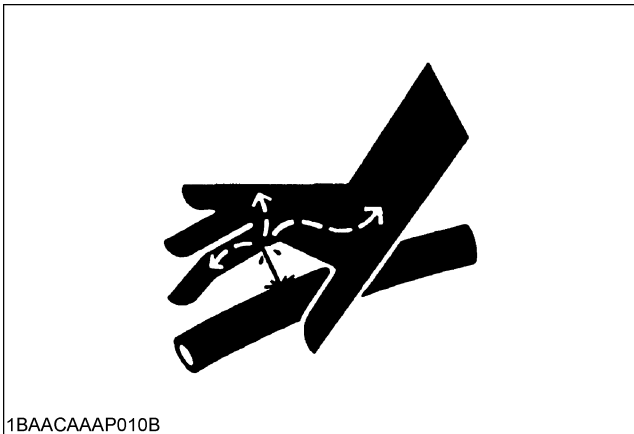


1BDADAAAP0040

12. Securely support the vehicle when changing wheels.
13. Make sure that wheel bolts have been tightened to the specified torque.
14. Do not work under any hydraulically supported devices. They can settle, suddenly leak down, or be accidentally lowered. If it is necessary to work under the vehicle or any vehicle elements for servicing or adjustment, securely support them with stands or suitable blocking beforehand.

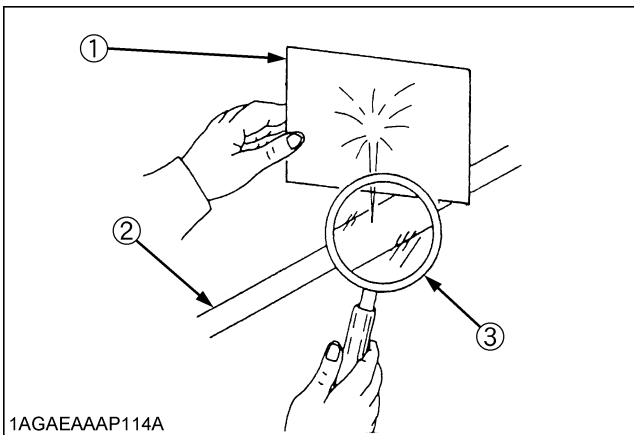
15. Escaping hydraulic fluid under pressure has sufficient force to penetrate skin causing serious personal injury. Before disconnecting hydraulic lines, be sure to release all residual pressure. Before applying pressure to the hydraulic system, make sure that all connections are tight and that all lines, pipes, and hoses are free of damage.

"High pressure fluid - Injection into body" hazard warning.



1BAACAAAP010B

16. Fluid escaping from pinholes may be invisible. Do not use hands to search for suspected leaks; use a piece of cardboard or wood. Use of safety goggles or other eye protection is also highly recommended. If injured by escaping fluid, see a medical doctor at once. This fluid will produce gangrene or severe allergic reaction.



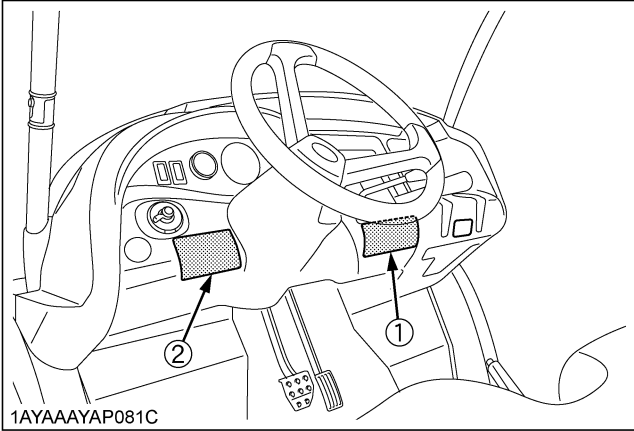
1AGAEAAAP114A

- (1) Cardboard
- (2) Hydraulic line
- (3) Magnifying glass

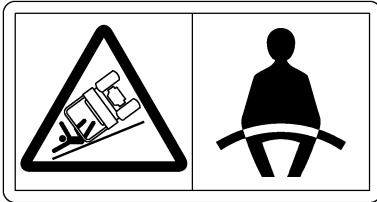
17. Waste products such as used oil, fuel, hydraulic fluid, and batteries, can harm the environment, people, pets and wildlife. Please dispose properly.

See your local Recycling Center or KUBOTA Dealer to learn how to recycle or get rid of waste products.

7. PICTORIAL SAFETY LABELS



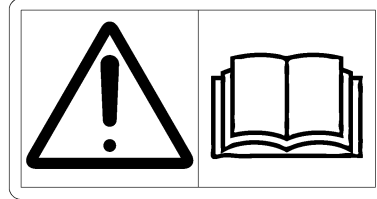
(1) Part No. K7583-6565-1



1AYAAACHAP003A

- Always fasten your seat belt on drivers seat and passenger seat.

(2) Part No. K7583-6522-1



1AYAAACHAP001A

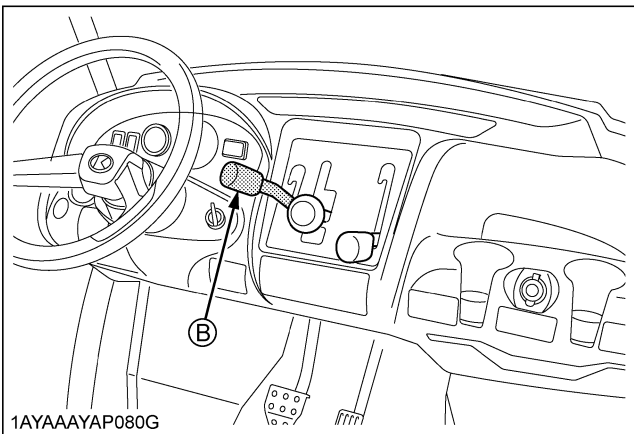
THIS LABEL INCLUDE 5 POINTS CAUTIONS BELOW.

Ⓐ GENERAL CAUTIONS

1. Read and understand the operator's manual before operation.
2. Never allow anyone without a valid driver's license to operate this vehicle.
3. Before allowing other people to use the vehicle, have them read the operator's manual.
4. This vehicle is for off road use only. Never operate on a public road.
5. Wear safety gear, including helmet and eye protection, as appropriate.
6. Check the tightness of all nuts and bolts regularly.
7. In addition to the driver, only 1 passenger can be carried. Minimum age for passenger is 5 years old.
8. Before starting the engine, make sure that everyone is at a safe distance from the vehicle and the hydraulic outlet is off (if equipped).
9. Do not operate the vehicle under the influence of drugs or alcohol.
10. Keep all shields in place and stay away from all moving parts.
11. Slow down for turns, or rough terrain.
12. Before getting off from the vehicle, apply the parking brake, stop the engine and remove the key.

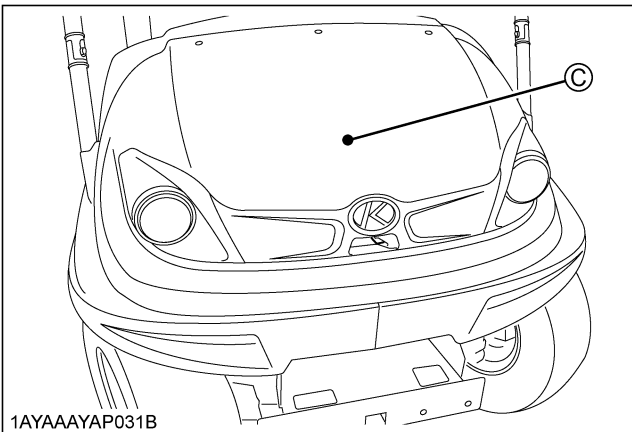
Ⓑ DIFFERENTIAL LOCK LEVER

- Do not engage the differential lock while at high speed.



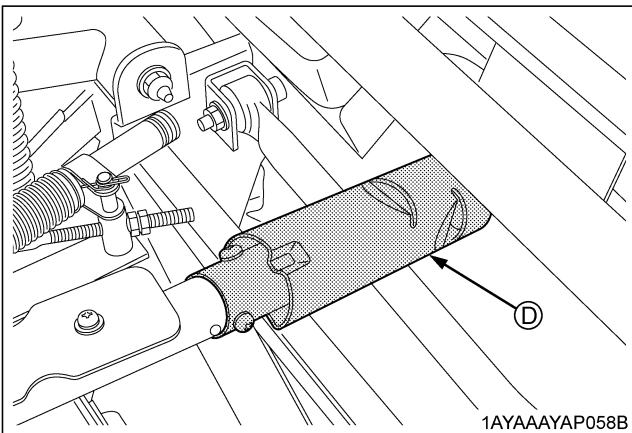
1AYAAAYAP080G

1AYAAAYAP165A



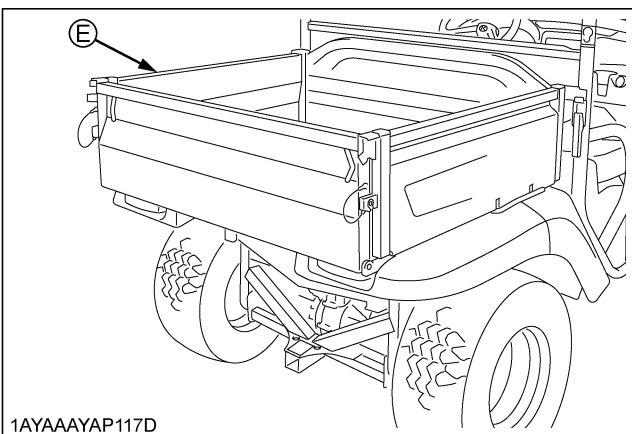
Ⓒ FRONT HOOD

- Do not operate the vehicle with the front hood open. Impaired visibility of the operator may cause loss of vehicle control.
- Latch the hood securely before operating the vehicle.



Ⓓ SPARK ARRESTER

1. Before touching any part of an exhaust system, be absolutely sure that it has had sufficient time to cool.
2. Always wear safety goggles and a (face)mask.
3. The particulate matter contained in the muffler contains chemicals that are harmful to people, animal and marine life.
4. If you are unable to do this work, have it done by your KUBOTA Dealer.

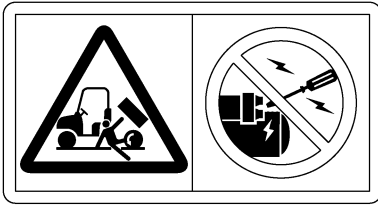


Ⓔ CARGO BED

1. Do not travel with the cargo bed in the raised position.
2. Do not raise the cargo bed while the engine is running above low idle.

▲-8 SAFE OPERATION

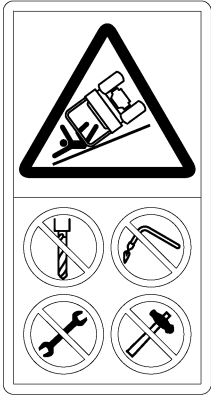
(1) Part No. K7313-6525-1



1AYAACHAP002A

1. Do not start engine by shorting across starter terminals or bypassing the safety start switch. The vehicle may start in gear and move if normal starting circuitry is bypassed.
2. Start engine only from operator's seat with range shift lever in neutral position and hydraulic outlet off (if equipped).

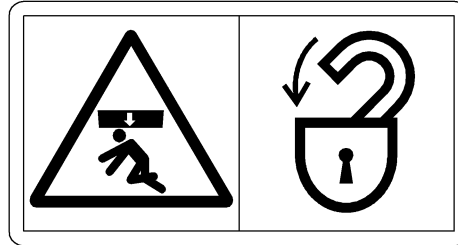
(2) Part No. K7583-6541-1



1AYAACHAP009A

1. Do not remove Roll-Over Protective Structures (ROPS) for any application.
2. Do not modify or repair a ROPS because welding, grinding, drilling or cutting any portion may weaken the structure.

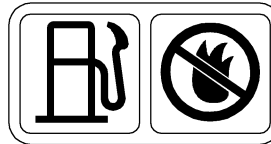
(3) Part No. K7313-6546-1



1AYAACPAP065A

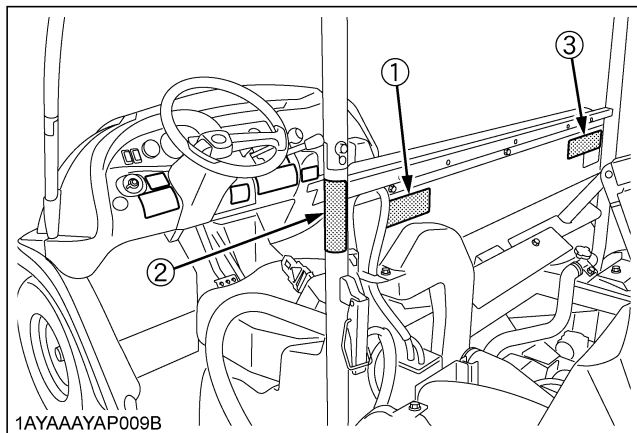
- Use the Propping Rod when working near a raised cargo bed or attachment.

(4) Part No. K7313-6537-1

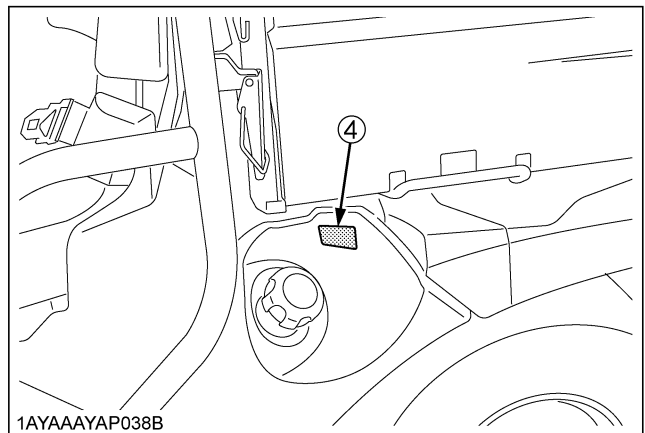


1AYAACPAP069A

- GASOLINE FUEL ONLY
- NO FIRE



1AYAAAYAP009B
1AYAAAYAP167A



1AYAAAYAP038B

(1) Part No. K7583-6546-1



1. Use brake fluid (DOT-3) only.
Other oil types will ruin synthetic resin or rubber installed in brake system components, and cause brake failure.
2. If brake fluid is spilled on power steering hose, wash off with water immediately.
Brake fluid quickly ruins synthetic resin or rubber hoses.

1AYAACHAP010A

(2) Part No. K7311-6114-2

▲ DANGER/POISON ▲ PELIGRO/VENENO ▲	
SHIELD EYES. EXPLOSIVE GASES CAN CAUSE BLINDNESS OR INJURY. PROTÉGEZ LES YEUX. LES GAZ EXPLOSIFS PEUVENT BLESSER OU RENDRE AVEUGLE. PROTEJA LOS OJOS. LOS GASES EXPLOSIVOS PUEDEN CAUSAR DAÑOS O CEGUERA.	NO ÉVITER • SPARKS • FLAMES • SMOKING • LES ÉTINCELLES • LES FLAMMES • DE FUMER • CHISPAS • FLAMAS • CIGARRROS
KEEP OUT OF THE REACH OF CHILDREN. TENIR HORS DE LA PORTÉE DES ENFANTS. ALEJASE DEL ALCANCE DE LOS NIÑOS. WARNING: RISK OF FIRE. EXPLOSION OR BURNS. DO NOT DISASSEMBLE OR INCINERATE. NOT RECOMMENDED FOR INVERTED USE. FOLLOW PROPER CHARGING INSTRUCTIONS. Dist. by/por/par: EPM Products, 9108 Yellowbrick Rd. Baltimore, MD 21237 4-4242 610-682-6361	READ ALL INSTRUCTIONS. LIRE TOUTES LES INSTRUCTIONS. LEA TODAS LAS INSTRUCCIONES. DO NOT OPEN BATTERY! DO NOT TIP! NE PAS OUVRIR LA BATTERIE! NE PAS RENVERSER. (NO ABRIR LA BATERIA! NO VOLTEAR. AVERTISSEMENT: RISQUE D'INCENDIE, D'EXPLOSION OU DE BRÛLURES. NE PAS DÉMONTÉR OU INCINÉRER. NON RECOMMANDÉ POUR UNE UTILISATION INVERSEE. SUIVEZ ATTENTIVEMENT LES INSTRUCTIONS DE CHARGEMENT. ADVERTENCIA: RIESGO DE INCENDIO, EXPLOSION O QUEMADURAS. NO DESMONTAR NI INCINERAR. NO RECOMENDADO PARA USO INVERTIDO. SIGA LAS INSTRUCCIONES CORRECTAS DE CARGA.
NO. 17# K7311-61113 450 32	

1AYAAAYAP177A

(4) Part No. K2601-9616-2

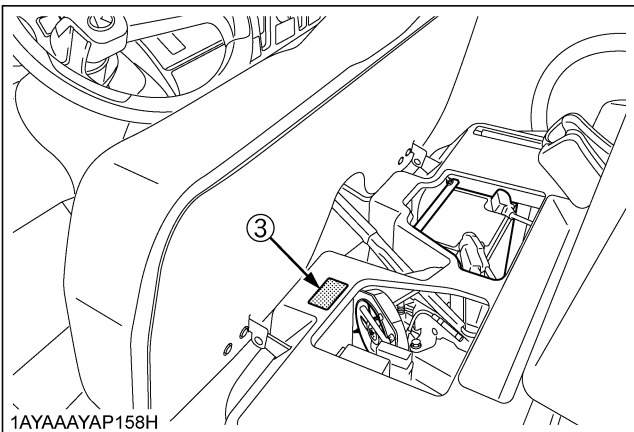
PROPOSITION 65 WARNING: Battery posts, terminals and related accessories contain lead and lead compounds, chemicals known to the State of California to cause cancer and reproductive harm. Batteries also contain other chemicals known to the State of California to cause cancer. **WASH HANDS AFTER HANDLING.**

ADVERTENCIA DE LA PROPUESTA 65: Los postes de batería, terminales y accesorios relacionados pueden contener plomo y compuestos de plomo, productos químicos conocidos en el estado de California por causar cáncer y daños a la reproducción. Las baterías también contienen otros productos químicos conocidos en el estado de California por causar cáncer. **LÁVESE LAS MANOS DESPUÉS DE LA MANIPULACIÓN.**

AVERTISSEMENT PROPOSITION 65 : Les bornes de batterie, les prises et les accessoires associés contiennent du plomb et des composés de plomb, des produits chimiques connus dans l'Etat de la Californie pour causer le cancer et des effets nocifs sur la reproduction. Les batteries contiennent aussi d'autres produits chimiques connus dans l'Etat de la Californie pour causer le cancer. **SE LAVÉ LES MAINS APRÈS MANIPULATION.**

4-3121

1AYAAPAP080A



1AYAAAYAP158H

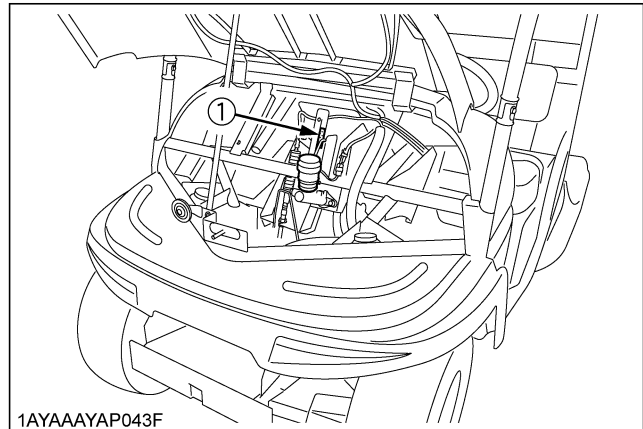
(3) Part No. K7313-6560-1

- Do not get your hands close to fan.

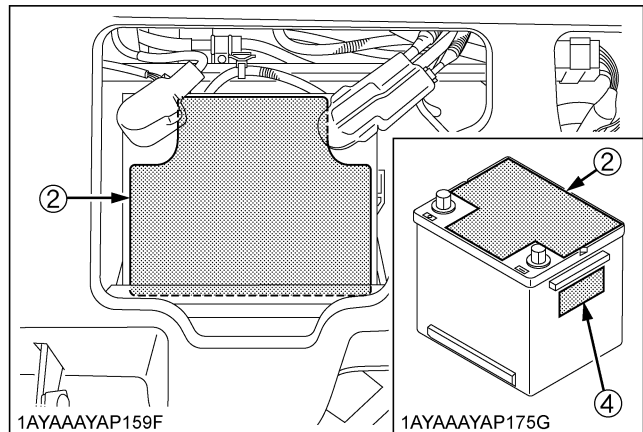


1AYAAPAP068A

- Keep away cigarettes, flames or sparks.
- Always shield eyes and face from battery.
- Keep out of reach of children.
- Poison causes severe burns.
- Contains sulfuric acid.
- Read and understand operator's manual.
- Danger explosive gases.



1AYAAAYAP043F



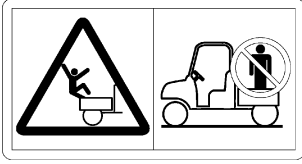
1AYAAAYAP159F

1AYAAAYAP175G

1AYAAAYAP168A

▲-10 SAFE OPERATION

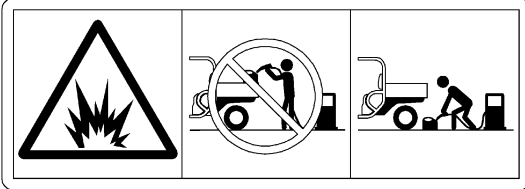
(1) Part No. K7313-6526-1



- Do not carry passengers in cargo bed.

1AYAACHAP005A

(2) Part No. K7313-6557-1

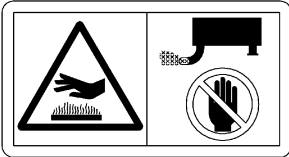


1. Do not place gas container inside cargo box bed when filling.
2. Place gas container on ground when filling.

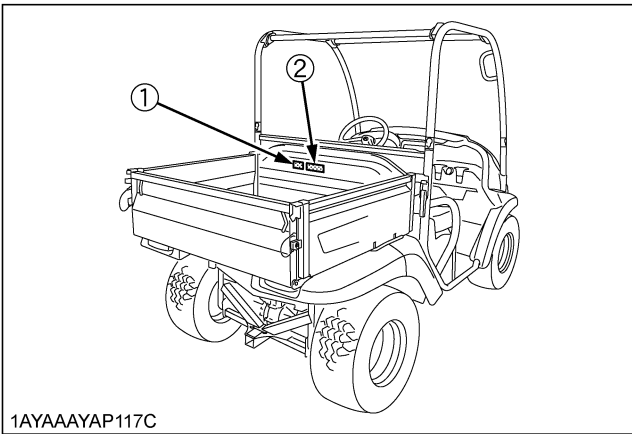
1AYAACPAP067A

(3) Part No. K7313-6547-1

- Do not touch hot surface like muffler, etc.

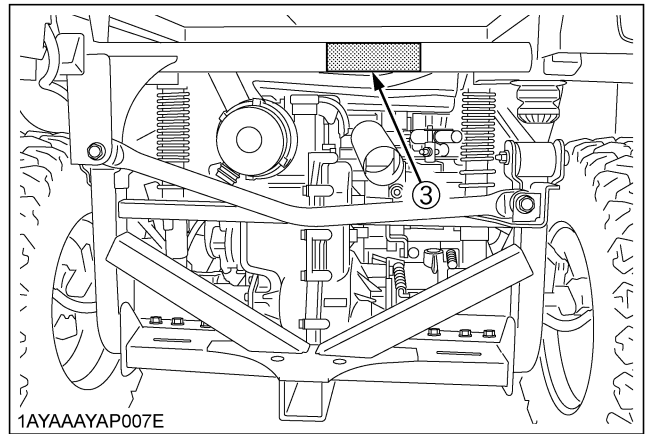


1AYAACPAP066A



1AYAAAYAP117C

1AYAAAYAP169A



1AYAAAYAP007E

8. CARE OF PICTORIAL SAFETY LABELS

1. Keep pictorial safety labels clean and free from obstructing material.
2. Clean pictorial safety labels with soap and water, dry with a soft cloth.
3. Replace damaged or missing pictorial safety labels with new labels from your local KUBOTA Dealer.
4. If a component with pictorial safety label(s) affixed is replaced with new part, make sure new label(s) is (are) attached in the same location(s) as the replaced component.
5. Mount new pictorial safety labels by applying on a clean dry surface and pressing any bubbles to outside edge.

SERVICING OF VEHICLE

Your dealer is interested in your new vehicle and has the desire to help you get the most value from it. After reading this manual thoroughly, you will find that you can do some of the regular maintenance by yourself.

However, when in need of parts or major service, be sure to see your KUBOTA Dealer.

For service, contact the KUBOTA Dealership from which you purchased your vehicle or your local KUBOTA Dealer.

When in need of parts, be prepared to give your dealer the serial number of the vehicle, engine, transmission and ROPS.

Locate the serial numbers now and record them in the space provided.

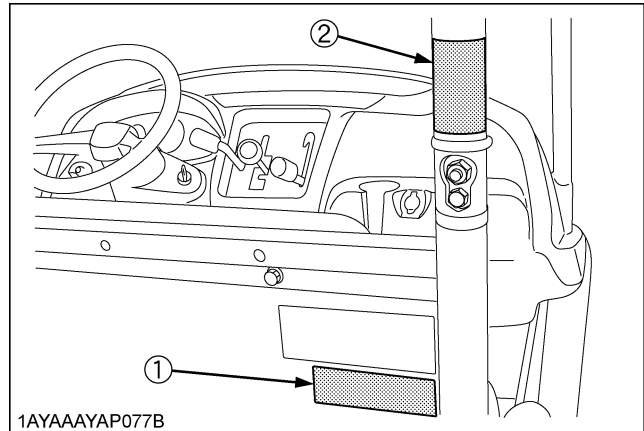
	Type	Serial No.
Vehicle		
Engine		
Transmission		
ROPS		
Date of Purchase		
Name of Dealer (To be filled in by purchaser)		

◆ **Warranty**

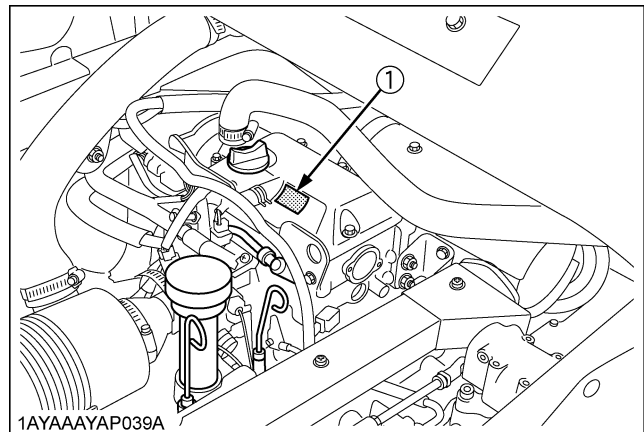
This vehicle is warranted under the Kubota Limited Express warranty a copy of which may be obtained from your selling dealer. No warranty shall, however, apply if the vehicle has not been handled according to the instruction given in the Operator's Manual even it is within the warranty period.

◆ **Scrapping the vehicle and its procedure**

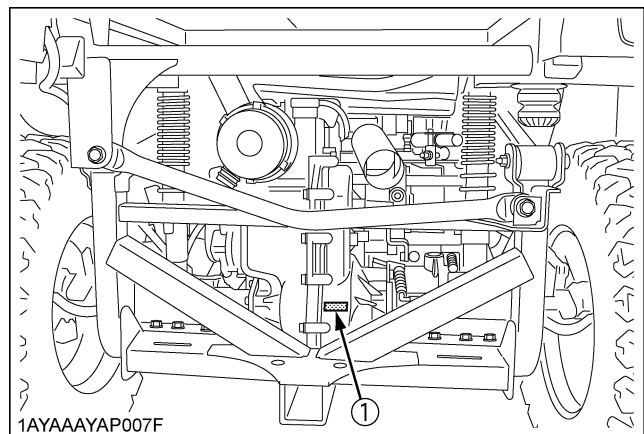
To put the vehicle out of service, correctly follow the local rules and regulations of the country or territory where you scrap it. If you have questions, consult your local KUBOTA Dealer.



(1) Vehicle serial number
(2) ROPS serial number



(1) Engine serial number



(1) Transmission assy serial number

SPECIFICATIONS

SPECIFICATION TABLE

Model			RTV500	
Engine	Make		GZ460	
	Type		2 cylinders, 4-cycle, Gasoline, OHC	
	Displacement	L	0.456	
	Horsepower	kW / rpm	11.8 / 3600	
	CO ₂ emission *1 (NRSC *2)	g/kWh	910.7	
Fuel Capacity		L	20	
Transmission			Continuously variable hydro transmission (VHT)	
Wheels, Drive system			4, Rear 2WD or 4WD	
Differential lock			Standard; hand operated with mechanical holder	
Gear selection			Hi-Lo range forward, neutral, reverse	
Brakes	Front / Rear		Dry disk brake	
	Parking brake		Rear wheel, hand lever	
Steering			Rack & Pinion	
Suspension	Front		Independent, MacPherson strut-type	
	Rear		Semi-independent, Multi-link	
Dimensions	Length		mm	2690
	Width		mm	1390
	Height, overall		mm	1829
	Front tread centers		mm	1016
	Rear tread centers		mm	1041
	Wheelbase		mm	1800
	Ground clearance	front axle	mm	205
		rear axle		175
Turning diameter		m	7	
Max. rolling weight (Towing Capacity)		kg	Rear: 500 / Front: 250	
Payload capacity		kg	430	
Weight		kg	615 with ATV Tires / 620 with HDWS Tires	

Model		RTV500	
Cargo bed	Width	mm	1032
	Length	mm	856
	Depth	mm	290
	Volume	m ³	0.25
	Bed height (unloaded)	mm	810
	Max. cargo bed load	kg	200
Tires	Front	24x9-12 HDWS, 6PLY	24x9-12 ATV, 6PLY
	Rear	24x11-12 HDWS, 6PLY	24x11-12 ATV, 6PLY
Front deluxe guard		Opt.	
Body color		Orange / Camo	
Speedometer		Opt.	
Rear net		Opt.	

*1 Measured according to Regulation (EU)2017/654. The CO₂ measurement is obtained from testing a(n) (parent) engine representative of the engine type (engine family) over a fixed test cycle under laboratory conditions. The CO₂ measurement shall not imply or express any guarantee of the performance of a particular engine.

*2 Non-road steady-state test cycle

NOTE :

- The company reserves the right to change the specifications without notice.
- The values in "Ground clearance" and "Weight" are those of the machine equipped with the tires in the table above.

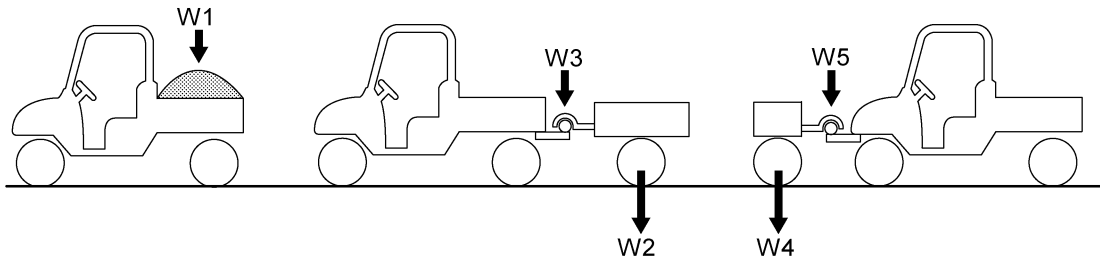
TRAVELING SPEEDS

Model	RTV500
Range gear shift lever	km/h
Low	16
High	40
Reverse	23

VEHICLE LIMITATIONS

The KUBOTA Vehicle has been thoroughly tested for proper performance with implements sold or approved by KUBOTA. Use with implements which are not sold or approved by KUBOTA and which exceed the maximum specifications listed below, or which are otherwise unfit for use with the KUBOTA Vehicle may result in malfunctions or failures of the vehicle, damage to other property and injury to the operator or others. [Any malfunctions or failures of the vehicle resulting from use with improper implements are not covered by the warranty]

Max. Cargo loading weight (W1)	Rear trailer hitch	Front trailer hitch
Max. Cargo load should not exceed "CBC" or "PCL". CBC: 200 kg PCL = 430 kg - (operator + passenger + opt. + acc. + cabin) weight	Max. rolling weight (W2) 500 kg	Max. rolling weight (W4) 250 kg
CBC: Cargo Bed Capacity PCL: Permissible Cargo Load opt.: option acc.: accessory	Max. tongue weight (W3) 50 kg	Max. tongue weight (W5) 50 kg



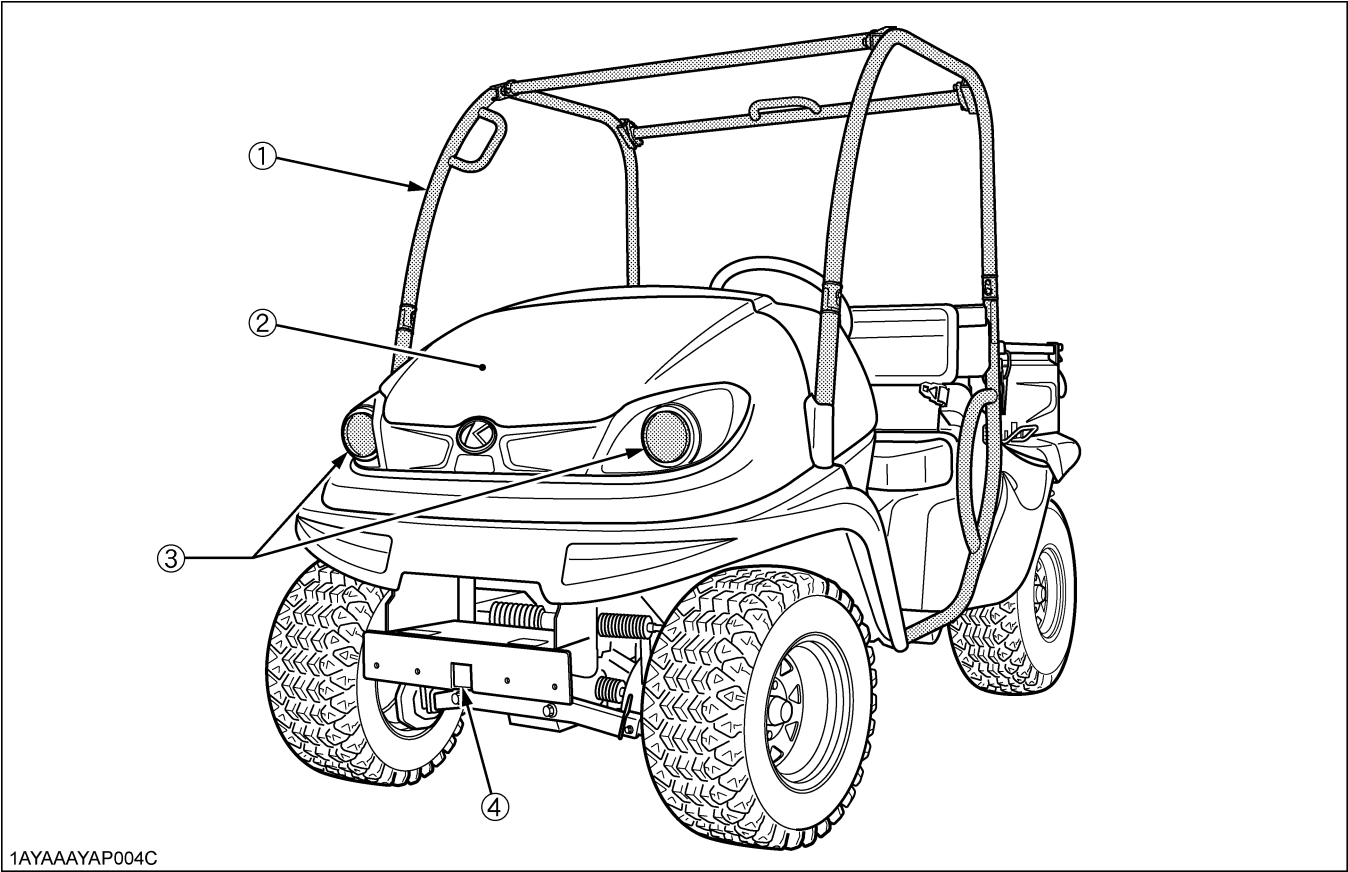
1AYAAAAAP092A

Rolling weight: Trailer weight + Cargo Load

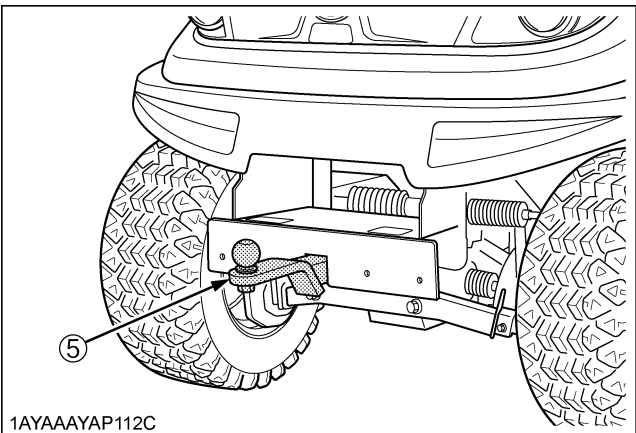
- Above mentioned specifications are based on level ground condition.

INSTRUMENT PANEL AND CONTROLS

LOCATION OF PARTS



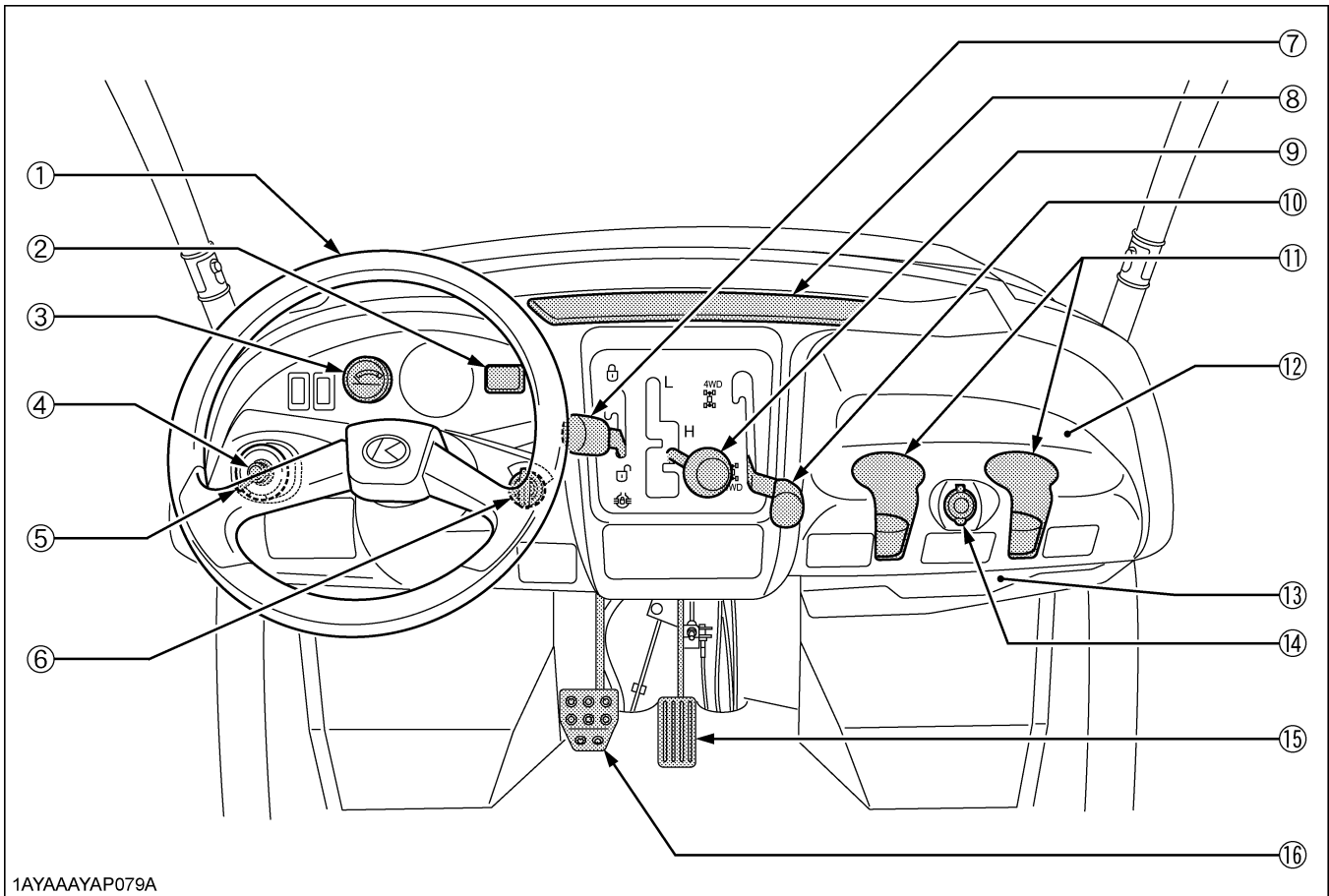
1AYAAAYAP004C



1AYAAAYAP112C

ILLUSTRATED CONTENTS

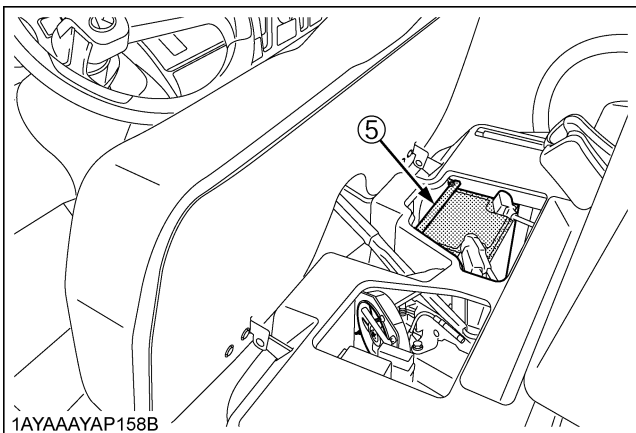
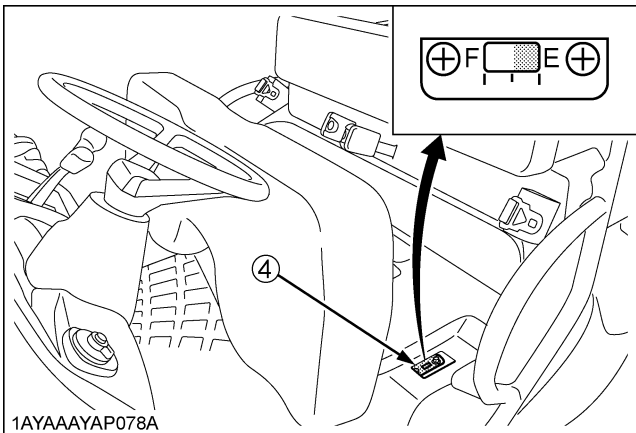
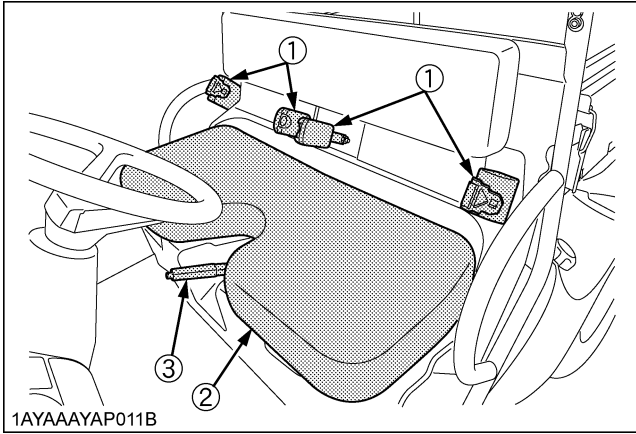
(1) ROPS.....	--
(2) Front hood.....	37
(3) Headlights.....	15
(4) Front trailer hitch bracket.....	31
(5) Front trailer hitch (if equipped).....	31



1AYAAAYAP079A

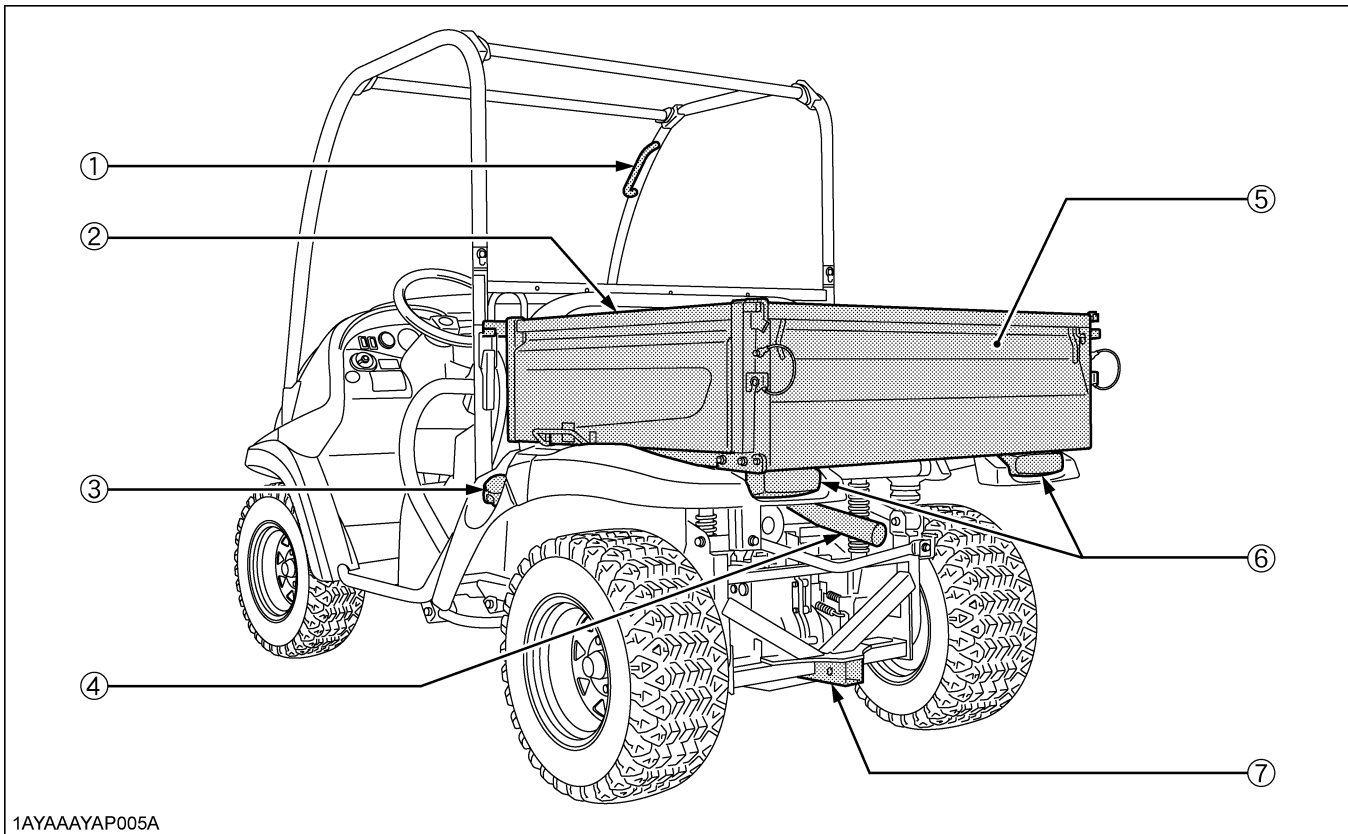
ILLUSTRATED CONTENTS

(1) Steering wheel.....	--
(2) Hourmeter.....	20
(3) Coolant temperature gauge.....	20
(4) Horn button.....	15
(5) Head light switch.....	15
(6) Key switch.....	--
(7) Differential lock lever.....	21
(8) Easy Checker(TM).....	19
(9) Range gear shift lever.....	16
(10) 4WD lever.....	17
(11) Cup holder.....	--
(12) Glove box.....	--
(13) Operator's manual holder.....	--
(14) 12V accessory plug.....	21
(15) Speed control pedal.....	18
(16) Brake pedal.....	16

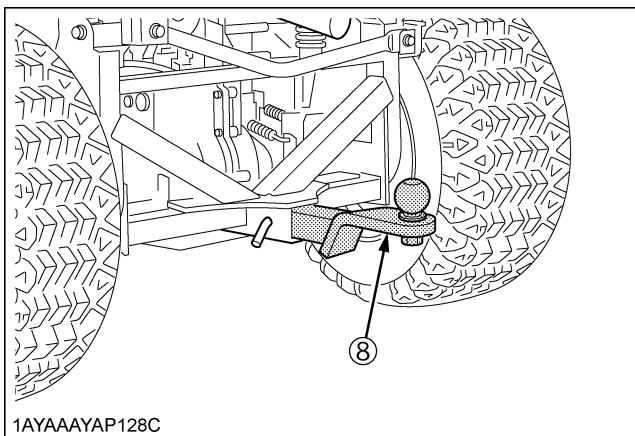


ILLUSTRATED CONTENTS

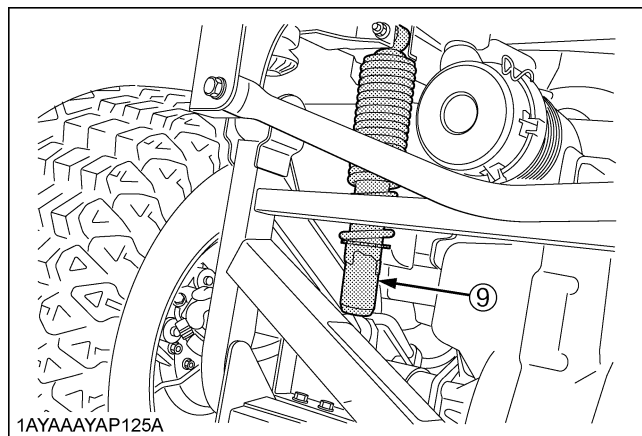
(1) Seat belts.....	14
(2) Seat.....	38
(3) Parking brake lever.....	20
(4) Fuel gauge.....	19
(5) Battery.....	--



1AYAAAYAP005A



1AYAAAYAP128C



1AYAAAYAP125A

ILLUSTRATED CONTENTS

ILLUSTRATED CONTENTS

(1) Handgrip..... --

(2) Cargo bed..... 26

(3) Fuel tank cap..... --

(4) Muffler..... --

(5) Tailgate..... 27

(6) Tail lamp..... --

(7) Rear trailer hitch bracket..... 31

(8) Rear trailer hitch (if equipped)..... 31

(9) Rear shock absorber..... 30

PRE-OPERATION CHECK

DAILY CHECK

To prevent trouble from occurring, it is important to know the condition of the vehicle well. Check it before starting.



CAUTION

To avoid personal injury:

- **Be sure to check and service the vehicle on a level surface with the engine shut off and the parking brake "ON" and implement lowered to the ground if equipped.**

Check item

- Walk around inspection
- Check engine oil level
- Check transmission fluid level
- Check brake fluid level
- Check engine cooling fan
[For those of the engine serial number 8U0086 or later,
check the fan operation.]
- Check coolant level
- Clean radiator screen
(When used in a dusty place)
- Check brake
- Check parking brake
- Check indicators, gauges and meters
- Check lights
- Check seat belt and ROPS
- Check front and drive joint boots
- Check tire inflation pressure
- Refuel
(See "DAILY CHECK" in "PERIODIC SERVICE" section.)
- Care of pictorial safety labels
(See "PICTORIAL SAFETY LABELS" in
"SAFE OPERATION" section.)

OPERATING THE ENGINE



CAUTION

To avoid personal injury:

- Read and understand "SAFE OPERATION" in the front of this manual.
- Read and understand the pictorial safety labels located on the vehicle.
- To avoid the danger of exhaust fume poisoning, do not operate the engine in a closed building without proper ventilation.
- Never start engine while standing on ground. Start engine only at the operator's seat.
- Make it a rule to set the range gear shift lever to the "NEUTRAL" position.

IMPORTANT :

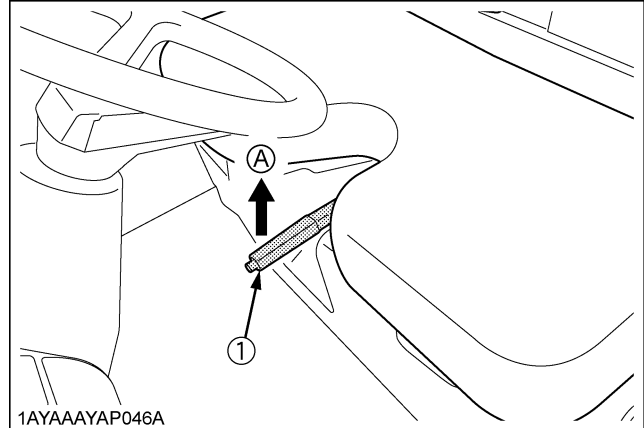
- Do not use starting fluid to aid engine starting.
- To protect the battery and the starter, make sure that the starter is not continuously turned for more than 10 seconds.

If the engine does not start, allow 60-second cool down period between start attempts.

- Operate, use, and maintain the engine, including the emission control system, in accordance with the instructions provided to the end users, so that the engine's emission performance is kept within the requirements applicable to the engine's category.
- Do not deliberately tamper with, or misuse, the engine emission control system, especially with regard to deactivating or not maintaining an exhaust gas recirculation (EGR) system or a reagent dosing system.
- When a warning lamp lights up, the engine is experiencing trouble, which may also cause problems in the emission control system. Take prompt action and rectify any incorrect operation, use, or maintenance of the emissions control system in accordance with the rectification measures. (See "TROUBLESHOOTING" on page 73.)

STARTING THE ENGINE

1. Make sure the parking brake is applied.

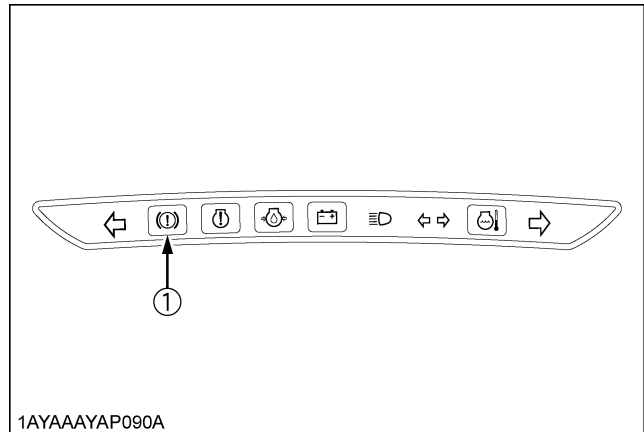


(1) Parking brake lever

(A) Pull to "PARK"

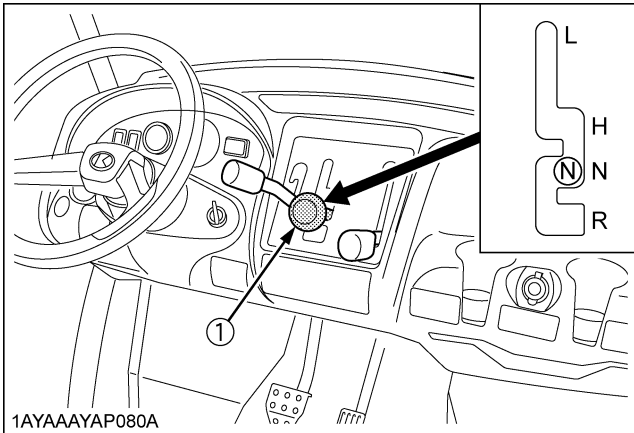
NOTE :

- The brake indicator light comes on while parking brake is applied and goes off when it is released.



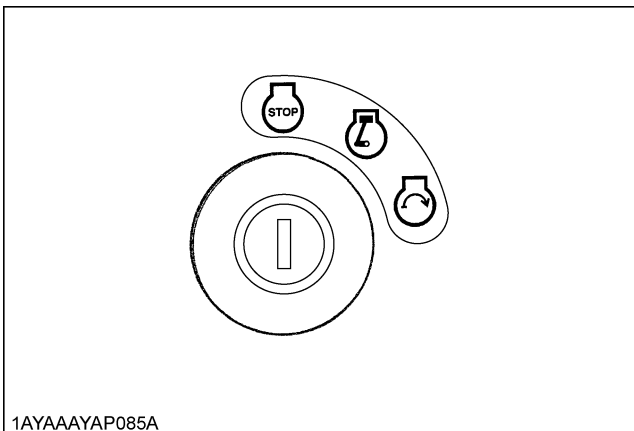
(1) Brake indicator light

2. Set the range gear shift lever to the "NEUTRAL" position.



(1) Range gear shift lever
 (L) LOW Range
 (H) HIGH Range
 (N) "NEUTRAL" POSITION
 (R) "REVERSE"

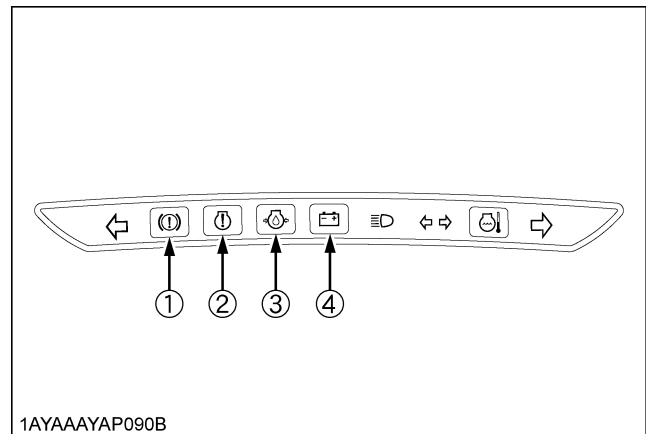
3. Insert the key into the key switch and turn it "ON".



(OFF) "OFF" (Engine-Stop) (START) "START" (Engine-Start)
 (ON) "ON" (Engine-Run)

◆ Check Easy Checker(TM) Lamps:

1. When the key is turned "ON", lamps(2)(3)(4) should come on. If trouble should occur at any location while the engine is running, the warning lamp corresponding to that location comes on.
2. The brake indicator light(1) comes on.
 - (1) While brake is applied and goes off when it is released.
 - (2) When the brake fluid is below the "MIN" mark. (Add the brake fluid to the "MAX" mark.) (See "Checking Brake Fluid Level" in "DAILY CHECK" in "PERIODIC SERVICE" section.)



(1) Brake indicator light
 (2) Engine diagnostic light
 (3) Engine oil pressure light
 (4) Electrical charge light

IMPORTANT :

- Daily checks with the Easy Checker(TM) only, are not sufficient. Never fail to conduct daily checks carefully by referring to "DAILY CHECK" in "PERIODIC SERVICE" section.

NOTE :

- For further details of Easy Checker(TM), see "Easy Checker(TM)" in "CHECK DURING DRIVING" in "OPERATING THE VEHICLE" section.

4. Turn the key to the "START" position and release when the engine starts.

IMPORTANT :

- As safety function, the engine will not start unless the range gear shift lever is in the "NEUTRAL" position.

■ Cold Weather Starting

When the ambient temperature is below 0 °C, the engine is very cold. If the engine fails to start after 10 seconds, turn off the key for 30 seconds. Then repeat steps 3 and 4. To protect the battery and the starter, make sure that the starter is not continuously turned for more than 10 seconds.

STOPPING THE ENGINE

1. After slowing the engine to idle, turn the key to "OFF".
2. Remove the key.

WARMING UP



CAUTION

To avoid personal injury:

- Be sure to set the parking brake during warm-up.
- Be sure to set the range shift lever to the "NEUTRAL" position.

For 5 minutes after engine start-up, allow engine to warm up without applying any load. This is to allow oil to reach every part of the engine. If load should be applied to the engine without this warm-up period, problems may develop such as seizure, breakage or premature wear may develop.

■ Warm-Up Transmission Oil in the Low Temperature Range

Hydraulic oil serves as transmission fluid. In cold weather, the oil may be cold with increased viscosity. This can cause delayed oil circulation or abnormally low hydraulic pressure for some time after engine start-up. This in turn can create problems with the hydraulic system.

To prevent the above, observe the following instructions: Warm up the engine at about 50% of rated rpm according to the table below:

Ambient temperature	Warm-up time requirement
Above 0 °C	Approx. 5 minutes
0 to -10 °C	5 to 10 minutes
-10 to -20 °C	10 to 15 minutes
Below -20 °C	More than 15 minutes

IMPORTANT :

- Do not operate the vehicle under full load condition until it is sufficiently warmed up.

JUMP STARTING



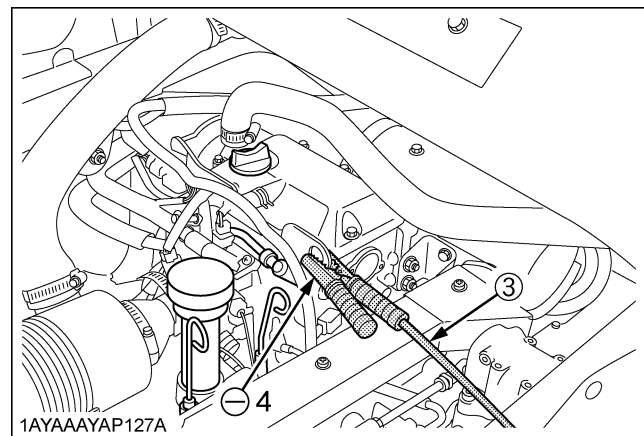
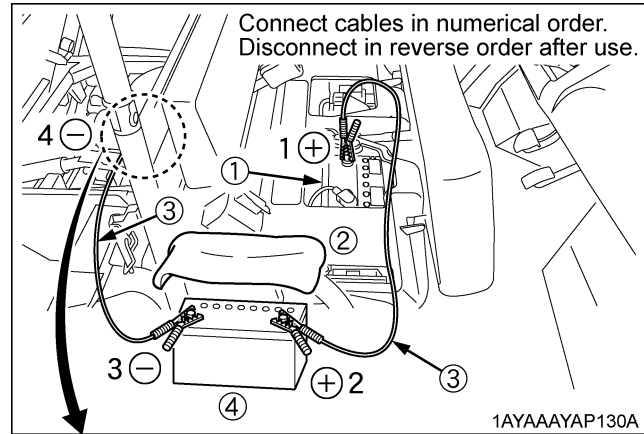
CAUTION

To avoid personal injury:

- Keep cigarettes, sparks, and flames away from battery.
- If vehicle battery is frozen, do not jump start engine.
- Do not connect other end of negative jumper cable to negative terminal of vehicle battery.
- The parts such as the muffler may be hot. Be careful not to get burned in connecting jumper cables.

When jump starting the engine, follow the instructions below to safely start the engine.

1. Bring helper vehicle with a battery of the same voltage as disabled vehicle within easy cable reach. "THE VEHICLES MUST NOT TOUCH".
2. Engage the parking brake of both vehicles and put the shift lever in neutral. Shut the engine off.
3. Put on safety goggles and rubber gloves.
4. Ensure the vent caps are securely in place. (if equipped)
5. Cover vent holes with damp rags. Do not allow the rag to touch the battery terminals.
6. Attach the red clamp to the positive (red, (+) or pos.) terminal of the dead battery and clamp the other end of the same cable to the positive (red, (+) or pos.) terminal of the helper battery.
7. Clamp the other cable to the negative (black, (-) or neg.) terminal of the helper battery.
8. Clamp the other end to the engine block or frame of the disabled vehicle as far from the dead battery as possible.
9. Start the helper vehicle and let its engine run for a few moments. Start the disabled vehicle.
10. Disconnect the jumper cables in the exact reverse order of attachment. (Steps 8, 7 and 6).
11. Remove and discard the damp rags.



- (1) Dead battery
- (2) Lay a damp rag over the vent caps
- (3) Jumper cables
- (4) Helper battery

IMPORTANT :

- This vehicle has a 12 volt negative (-) ground starting system.
- Use only same voltage for jump starting.
- Use of a higher voltage source could result in severe damage to vehicle's electrical system.
Use only matching voltage source when "Jump starting" a low or dead battery.

OPERATING THE VEHICLE

OPERATING NEW VEHICLE

How a new vehicle is handled and maintained will determine the life of the vehicle.

A new vehicle just off the factory production line has been tested, but the various parts are not accustomed to each other, so care should be taken to operate the vehicle for the first 50 hours at a slower speed and avoid excessive work or operation until the various parts become "broken-in." The manner in which the vehicle is handled during the "breaking-in" period greatly affects the life of your vehicle. Therefore, to obtain the maximum performance and the longest life of the vehicle, it is very important to properly break-in your vehicle. In handling a new vehicle, the following precautions should be observed.

■ Do not Operate the Vehicle at Full Speed for the First 50 Hours

- Do not start quickly nor apply the brakes suddenly.
- In winter, operate the vehicle after fully warming up the engine.
- Do not run the engine at speeds faster than necessary.
- On rough roads, slow down to suitable speeds. Do not operate the vehicle at fast speed. The above precautions are not limited only to new vehicles, but to all vehicles. But it should be especially observed in the case of new vehicles.

■ Changing Lubricating Oil for New Vehicles

The lubricating oil is especially important in the case of a new vehicle. The various parts are not "broken-in" and are not accustomed to each other. Small pieces of metal grit may develop during the operation of the vehicle; and this may wear out or damage the parts. Therefore, care should be taken to change the lubricating oil a little earlier than would ordinarily be required. For further details of change interval hours, see "MAINTENANCE" section.

STARTING

1. Fasten the seat belt.

■ Seat Belt



WARNING

To avoid serious injury:

- Seat belts reduce injury. Always wear your seat belts. The lap-style seat belts may not provide adequate protection for small children. Special care is recommended when carrying a child passenger.

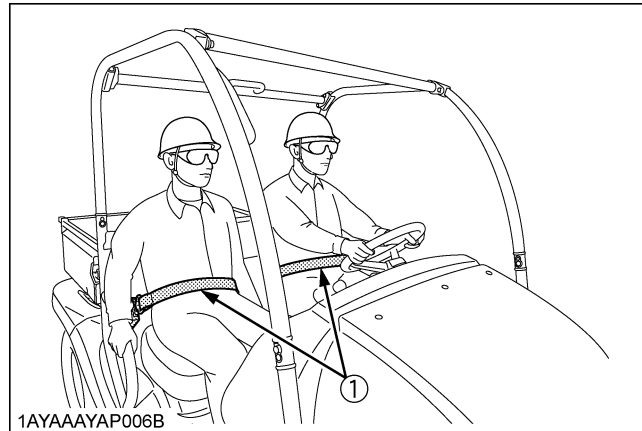


CAUTION

To avoid personal injury:

- Always use the seat belts when operating and riding in the vehicle.

Adjust the seat belts for proper fit and connect the buckle. This seat belt is an auto-locking retractable type.



(1) Seat belt

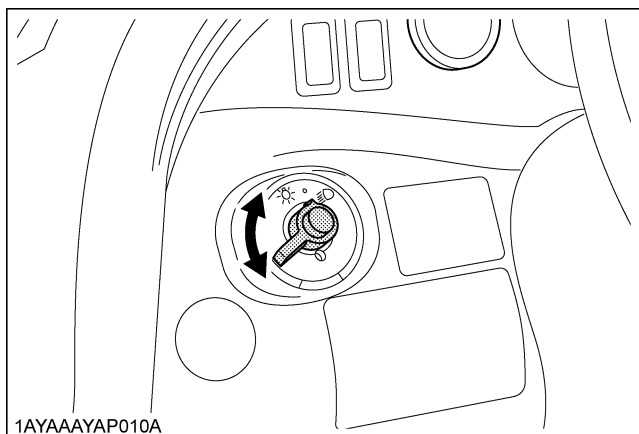
2. Selecting light switch position.

■ Head Light Switch

The head light switch is operative when the key switch is in the "ON" position.

Turn on the key switch and turn the head light switch to the "ON" position.

Turn the head light switch to the "OFF" position to turn off the head light.



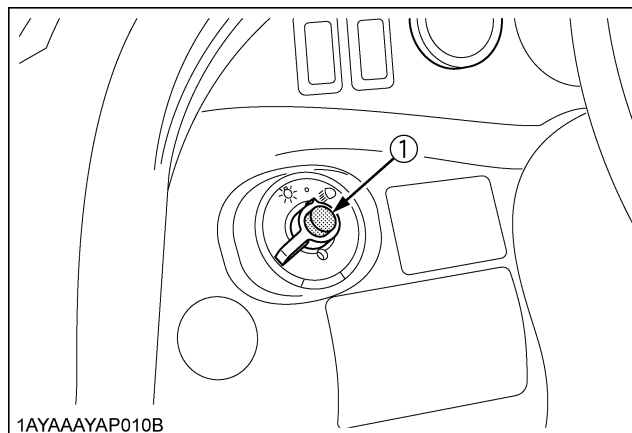
(1) Head light switch

☰ Head lights "ON"
 ○ Head lights "OFF"

■ Horn Button

The horn switch is operative when the key switch is in either the "ON" or "OFF" position.

The horn will sound when the horn button is pressed.



(1) Horn button

NOTE :

- Turning the head light switch to the "ON" position causes the following lamps to light simultaneously.
 - (1) Tail lights (lamps at the rear portions of the vehicle)
 - (2) Lamp built in the coolant temperature gauge

3. Checking the brake pedal.

■ Brake Pedal

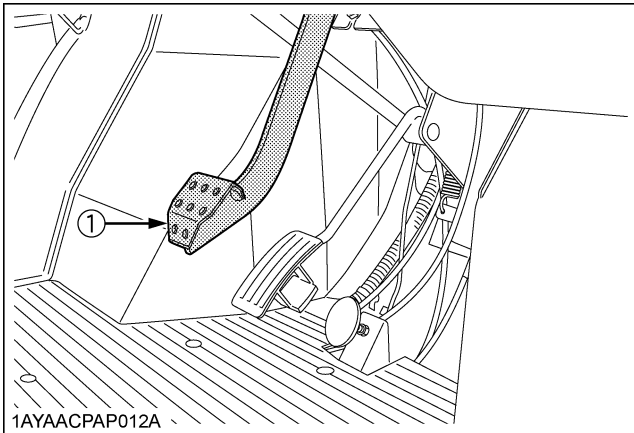


CAUTION

To avoid personal injury:

- If the operator suddenly brakes, an accident may occur due to loss of control or the shifting forward of heavy loads.
- When driving on icy, wet or loose surface, make sure the vehicle is correctly ballasted to avoid skidding and loss of steering control. Operate at reduced speed.

The brake pedal is the left pedal on the foot board. Depress the pedal to slow or stop the vehicle.



(1) Brake pedal

- ### 4. Start the engine.
- See "OPERATING THE ENGINE" section.

5. Selecting the travel speed.

■ Range Gear Shift Lever

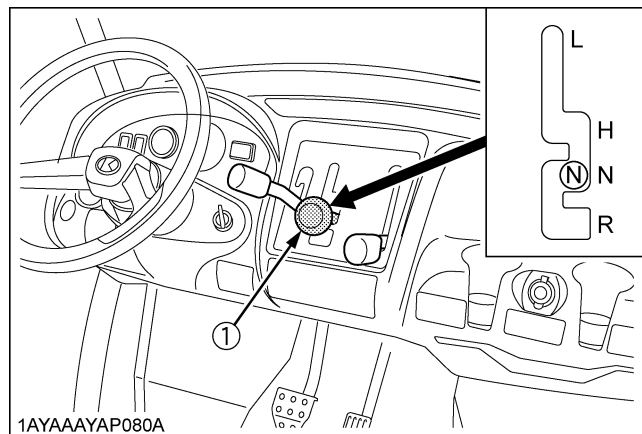


CAUTION

To avoid personal injury:

- Avoid changing range gear shift lever when ascending or descending a slope.
- Before ascending or descending a slope, shift to the "L" range to control the vehicle speed.
- If you shift gears while ascending or descending a slope, be prepared to use the brake to maintain control.
- Operate in reverse at slow speeds to maintain control.

1. The range gear shift lever can only be shifted when vehicle is completely stopped and the speed control pedal is in the "NEUTRAL" position.
2. To avoid transmission and shift linkage damage, completely stop the vehicle using the brake pedal before shifting gears.
3. Select proper gear and engine speed depending on the type of job.
4. Before dismounting vehicle, shift the range gear shift lever to the "NEUTRAL" position and apply parking brake.



(1) Range gear shift lever

(L) LOW Range
(H) HIGH Range
(N) "NEUTRAL" POSITION
(R) "REVERSE"

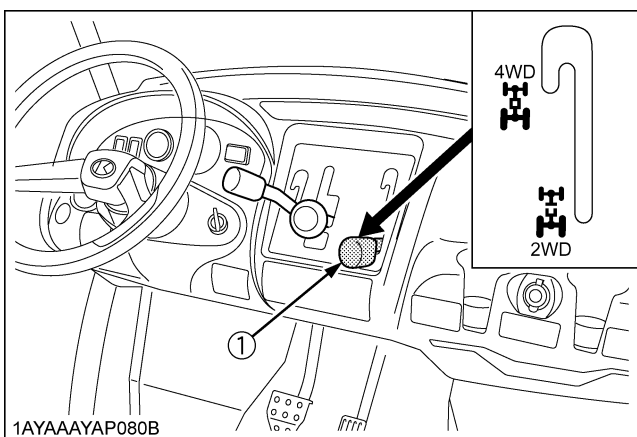
NOTE :

- Do not force the range gear shift lever. If it is difficult to shift the lever into "L", or "H" on slopes, be sure to apply the parking brake before starting the procedure.
 - (1) Slightly depress the speed control pedal to rotate the gears inside of transmission.
 - (2) Release the speed control pedal to the "NEUTRAL" position.
- An accident may occur with erratic shifting operation.
- Improper range gear shift lever position will cause the vehicle to momentarily coast on slopes.

4WD Lever**CAUTION**

To avoid personal injury:

- Do not engage the front wheel drive when traveling at road speed.
- When driving on icy, wet or loose surfaces, make sure the vehicle is correctly ballasted to avoid skidding and loss of steering control. Operate at reduced speed and engage front wheel drive.
- An accident may occur if the vehicle is suddenly braked, such as by heavy towed loads shifting forward causing loss of control.
- The braking characteristics are different between 2 and 4 wheel drive. Be aware of the difference and use carefully.



(1) 4WD lever

"4WD"
 "2WD"

IMPORTANT :

- Use the lever to engage the front wheels with the vehicle stopped. Shift the lever to "4WD" to engage the front wheel drive.
- Tires will wear quickly if front wheel drive is engaged on paved roads.
- If the 4WD lever is difficult to shift to "2WD", stop the vehicle, turn the steering wheel in both directions and then move the lever.

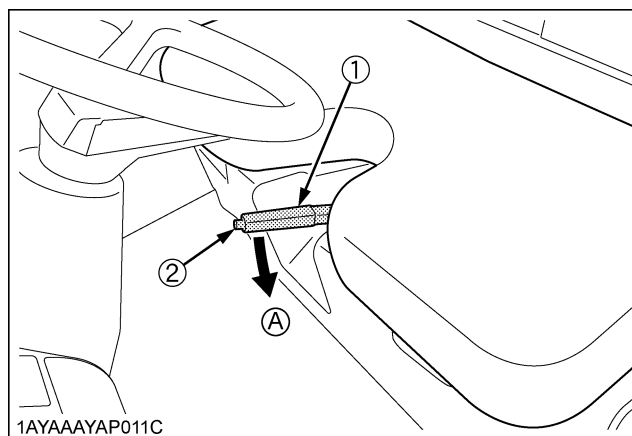
◆ **Front wheel drive is effective for the following jobs:**

1. When greater pulling force is needed, such as working in a wet field, when pulling a trailer, or when working with a front-end blade.
2. When working in sandy soil.

6. Unlock the parking brake and start slowly.

■ Parking Brake Lever

To release the parking brake, depress the brake pedal, push release button and push down parking brake lever. Make sure that indicator in the Easy Checker(TM) goes off.

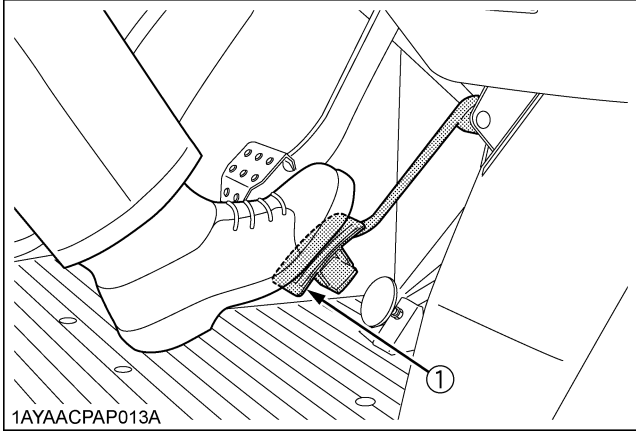


(1) Parking brake lever
(2) Release button

(A) "RELEASE"

■ Speed Control Pedal

Use the speed control pedal when traveling. Push down on it for higher speed.



(1) Speed control pedal

STOPPING

■ Stopping

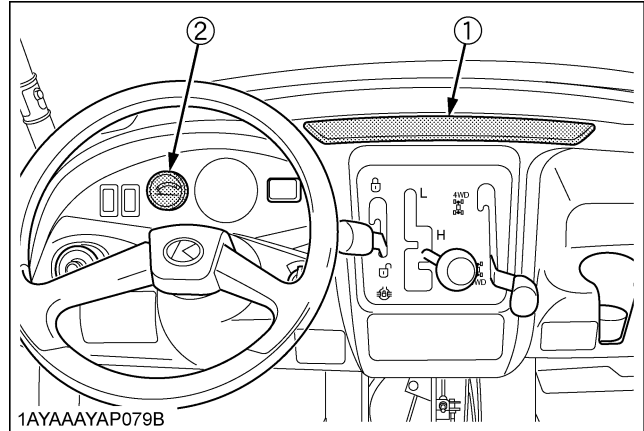
1. Release the speed control pedal.
2. Step on the brake pedal.
3. After the vehicle has stopped, put the range gear shift lever in neutral, and apply the parking brake.

CHECK DURING DRIVING

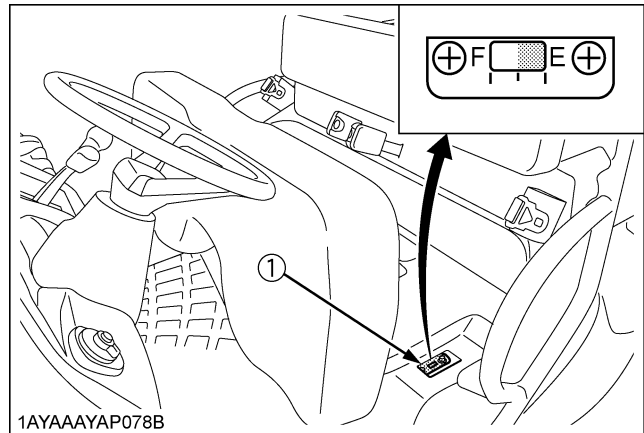
■ Immediately Stop the Engine if:

- The engine suddenly slows down or accelerates.
- Unusual noises suddenly occur.
- Exhaust fumes suddenly become very dark.

While driving, check the following items to see that all the parts are functioning normally.



(1) Easy Checker(TM)
(2) Coolant temperature gauge



(1) Fuel gauge

■ Easy Checker(TM)

If the warning lamps in the Easy Checker(TM) come on during operation, immediately stop the engine, and find the cause as shown below.

Never operate the vehicle with an Easy Checker(TM) lamp on.

(!) Brake indication light

The warning lamp in the Easy Checker(TM) comes on if the parking brake is applied.

If the lamp is on during operation, release the parking brake lever immediately.

If the brake fluid goes below the prescribed level, the warning lamp in the Easy Checker(TM) will come on.

If this should happen during operation, check to see that there is no oil leak in the brake system, and then add oil.

(See "Checking Brake Fluid Level" in "DAILY CHECK" in "PERIODIC SERVICE" section.)

(⚡) Engine diagnostic light

If sensors malfunction, the Easy Checker(TM) will come on. If the light is active, stop the vehicle and shut off the engine. If the light is active after restart, consult your local KUBOTA Dealer.

(⚡) Engine oil pressure light

If the oil pressure in the engine goes below the prescribed level, the warning lamp in the Easy Checker(TM) will come on.

If this should happen during operation, and it does not go off when the engine is accelerated, check the level of engine oil.

(See "Checking Engine Oil Level" in "DAILY CHECK" in "PERIODIC SERVICE" section.)

(⚡) Electrical charge light

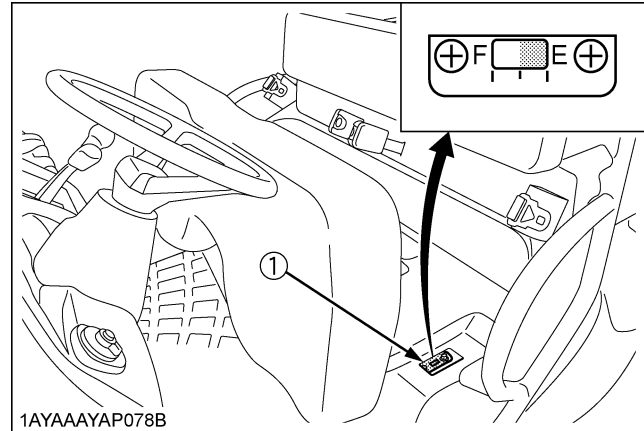
If the alternator is not charging the battery, the Easy Checker(TM) will come on.

If this should happen during operation, check the electrical charging system or consult your local KUBOTA Dealer.

■ Fuel Gauge

The fuel gauge indicates the fuel level.

Be careful not to empty the fuel tank. Otherwise air may enter the fuel system.



(1) Fuel gauge

(F) "FULL"
(E) "EMPTY"

IMPORTANT :

- Do not refuel over "F". Fill the tank only to the bottom of the filler neck in the fuel tank.

■ Coolant Temperature Gauge

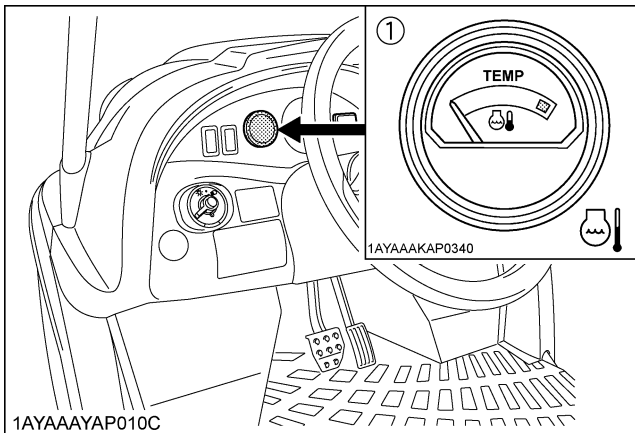


CAUTION

To avoid personal injury:

- Do not remove radiator cap until coolant temperature is well below its boiling point. Then loosen cap slightly to the stop to relieve any pressure before removing cap completely.

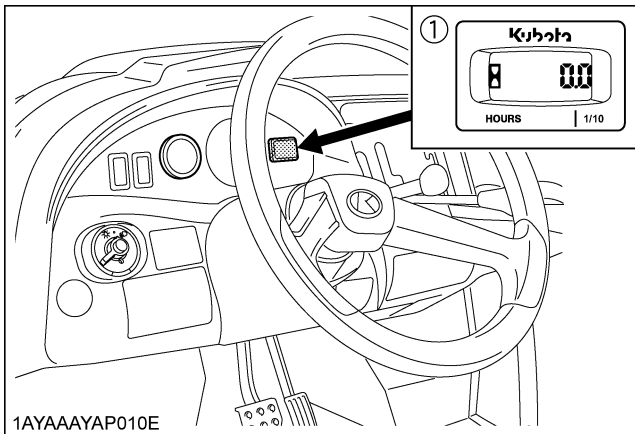
1. With the key switch "ON" the temperature gauge indicates the temperature of the coolant. White Zone for "COLD" and Red zone for "HOT".
2. If the indicator reaches the Red zone, engine coolant is overheated. Check the vehicle by referring to "TROUBLESHOOTING" section.



(1) Coolant temperature gauge

■ Hourmeter

The hourmeter indicates in 5 digits the hours the vehicle has been used; the last digit indicates 1/10 of an hour.



(1) Hourmeter

PARKING

■ Parking Brake Lever



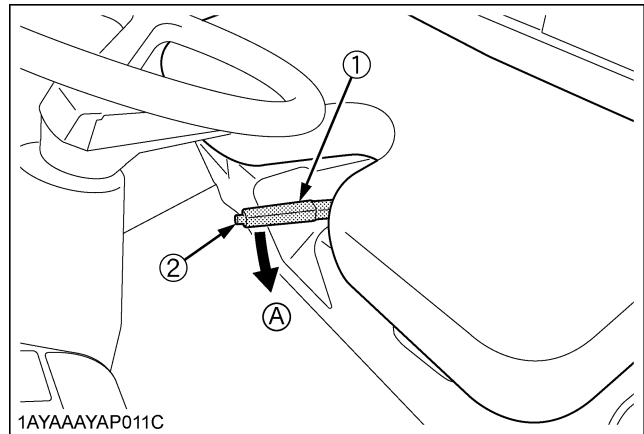
WARNING

To avoid serious injury:

BEFORE DISMOUNTING VEHICLE

- ALWAYS APPLY THE PARKING BRAKE AND LOWER ALL IMPLEMENTS TO THE GROUND. Leaving transmission in gear with the engine stopped will not prevent from rolling.
- STOP THE ENGINE AND REMOVE THE KEY.

1. Stop the vehicle on a level surface.
2. To apply the parking brake, depress the brake pedal and pull the parking brake lever to park.
3. To release the parking brake, push the release button and push down the parking brake lever. When the parking brake is released, the brake indicator light in the Easy Checker(TM) goes off.



(1) Parking brake lever

(A) "RELEASE"

(2) Release button

IMPORTANT :

- If the vehicle is operated with the parking brake applied, the parking brake will be damaged.

ACCESSORY

■ 12V Electric Outlet

The 12 volt receptacle is located on the front-panel. An auxiliary light or other devices may be connected to this connector.

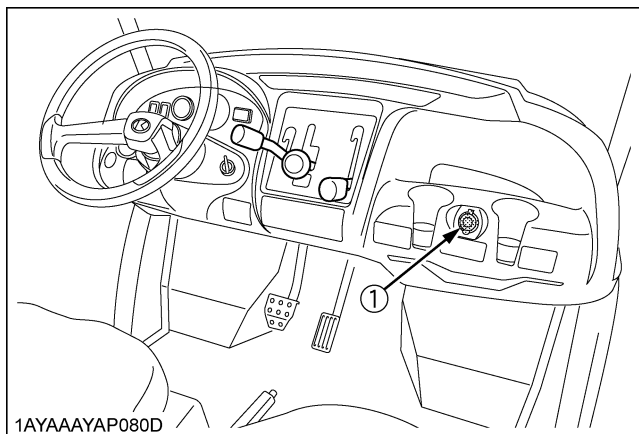
- ◆ **This outlet is activated when the key switch is in either the "ON" or "OFF" position.**

When the plug is not used, pull it out. Be careful that leaving the plug inserted causes the battery to run out.

- ◆ **Do not connect a light or other device that draws more than 120 watts to this connector, or the battery may discharge very rapidly or the outlet may fail.**

IMPORTANT :

- Do not use as a cigarette lighter.
- Do not use when wet.



(1) 12V electric outlet

OPERATING TECHNIQUES

■ Differential Lock



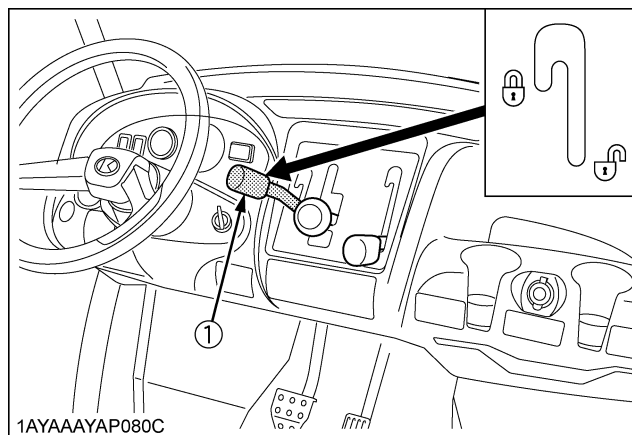
WARNING

To avoid personal injury due to loss of steering control:

- Do not operate the vehicle at high speed with differential lock engaged.
- Do not attempt to turn with the differential lock engaged.
- Be sure to release the differential lock before making a turn in field conditions.

If one of the rear wheels should slip, shift the differential lock lever to the "ENGAGE" position. Both wheels will then turn together, reducing slippage.

Differential lock is maintained while shifting the differential lock lever to the "ENGAGE" position.



(1) Differential lock lever

🔒 "ENGAGE"

🔓 "DISENGAGE"

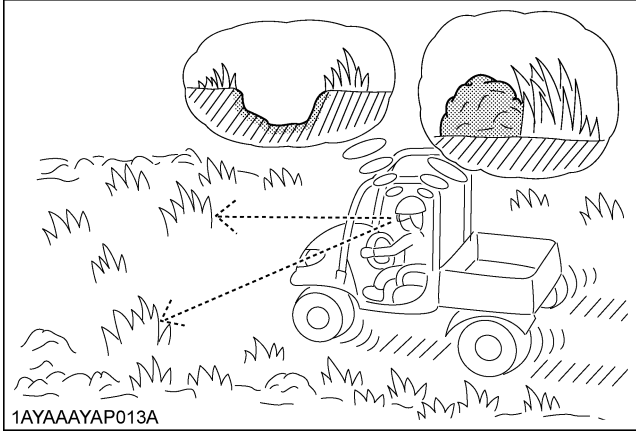
IMPORTANT :

- When using the differential lock, always slow the engine down.
- To prevent damage to power train, do not engage differential lock when one wheel is spinning and the other is completely stopped.
- If the differential lock cannot be released, stop the vehicle, turn the steering wheel alternately.

■ Unfamiliar Terrain**CAUTION**

To avoid personal injury:

- Be sure to check for hidden obstacles or hazards before driving in a new area.
- Keep your speed down until you know the area well.
- Use existing trails and stay away from hazardous areas such as steep, rocky slopes or swamps.
- Be cautious when visibility is limited, as you may not be able to see obstacles in your path.

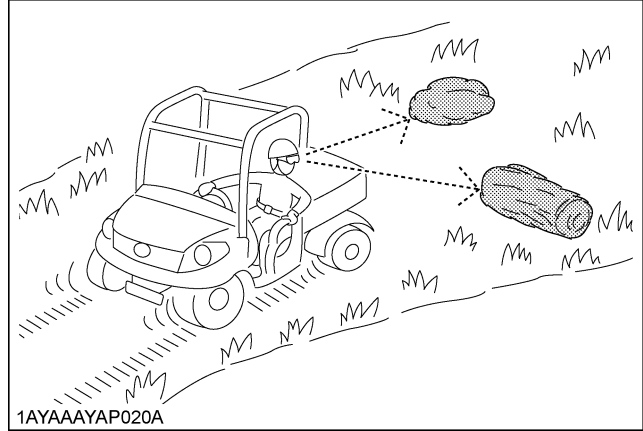


1AYAAAYAP013A

■ Driving in Reverse**CAUTION**

To avoid personal injury:

- Turn around, look down and behind you before backing up to be sure there are no obstacles or people in your way.
- Depress speed control pedal gradually and back up cautiously.
- To stop while driving in reverse take your foot off the speed control pedal and gradually apply the brake.
- Do not suddenly engage the brake.



1AYAAAYAP020A

■ Driving in "4WD"

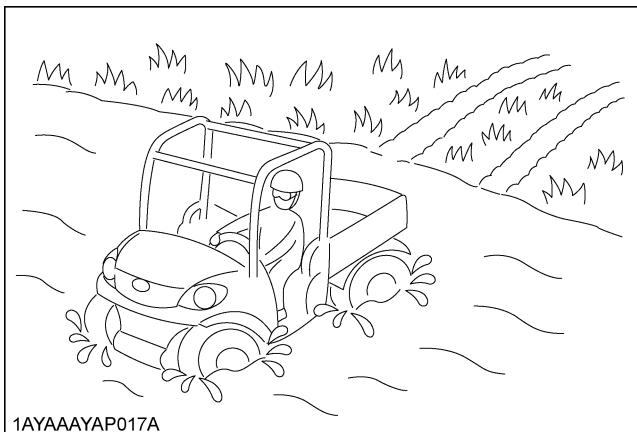


CAUTION

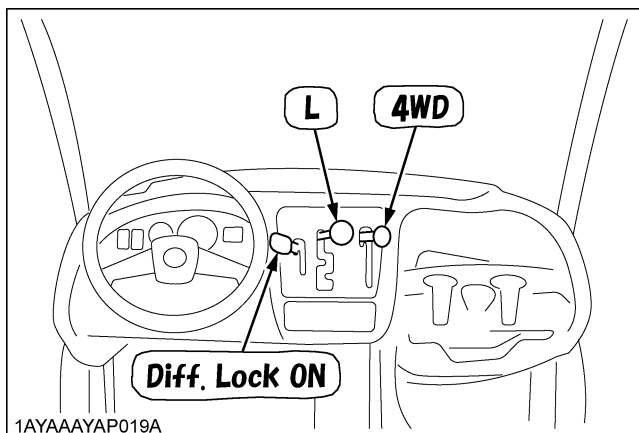
To avoid personal injury:

- Do not drive in "4WD" on paved surfaces.

For the maximum traction, shift the range gear shift lever into low range and use "4WD" on steep slopes or when stuck in the mud, with differential locked if necessary.



1AYAAAYAP017A



1AYAAAYAP019A

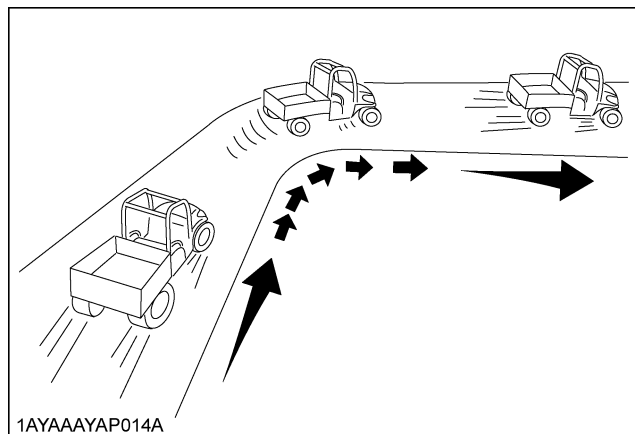
■ Turning the Vehicle



WARNING

To avoid personal injury:

- Reduce vehicle speed before entering the turn and maintain an even speed through the turn.
- Do not make sharp turns in order to avoid loss of control or tipping.



1AYAAAYAP014A

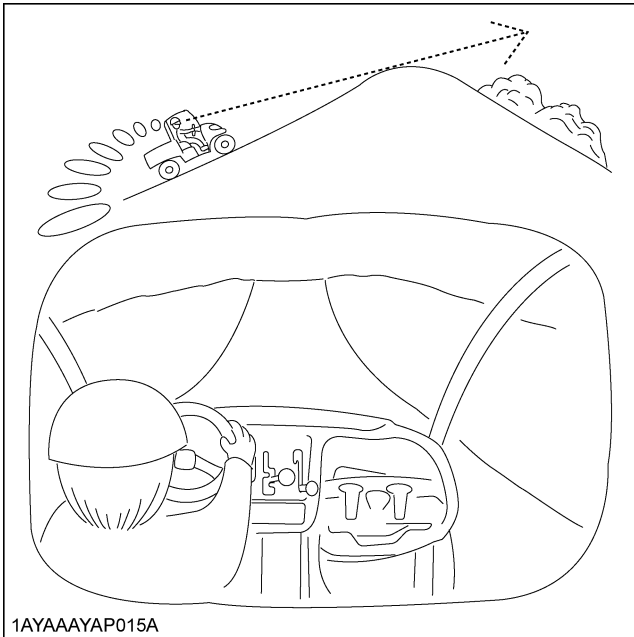
■ Hills



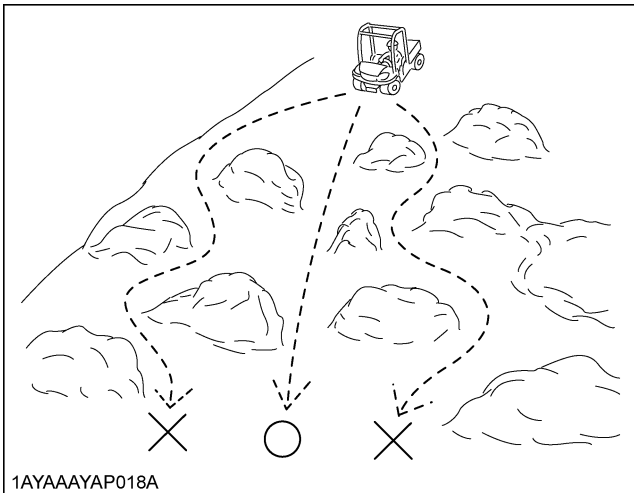
WARNING

To avoid personal injury:

- Do not turn sideways on a hill, or the vehicle may roll over.
- Always go straight up hill or down hill.
- Slow down until you can get a clean view of the other side at the crest of a hill.
- If the engine stalls on a steep slope, roll slowly straight down, using the brake.
- Stop and look for obstacles before descending a hill.



1AYAAAYAP015A



1AYAAAYAP018A

■ Traversing Hillsides



WARNING

To avoid personal injury:

- Reduce vehicles speed to prevent tipping or loss of control.
- Do not traverse hillsides that are slippery or covered with rocks or obstacles which may cause you to tip over.

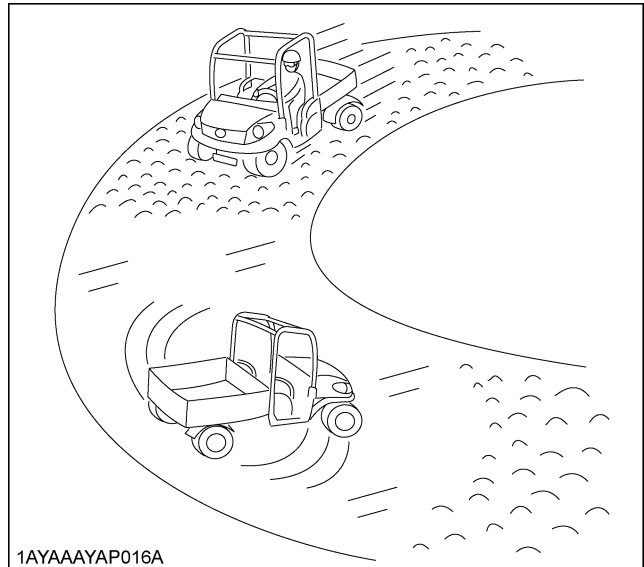
■ Sliding and Skidding



WARNING

To avoid personal injury:

- Drive slowly and carefully when you are unsure or unprepared for the surface.
- Do not apply heavy braking force or accelerate when skidding to prevent loss of control.
- Use 4WD and maintain low speeds on areas covered with clay, mud, ice or snow to prevent uncontrolled skidding.



1AYAAAYAP016A

■ Driving through Water



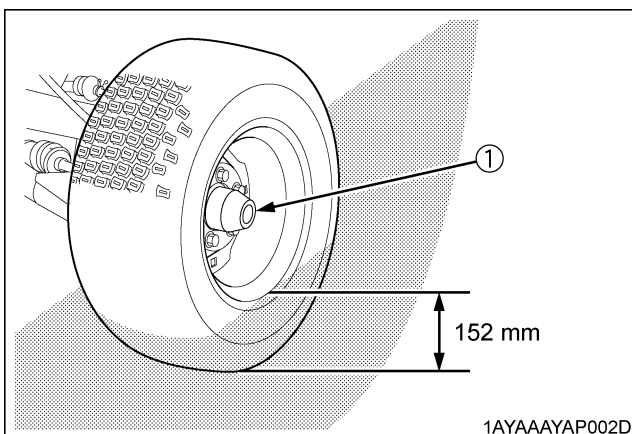
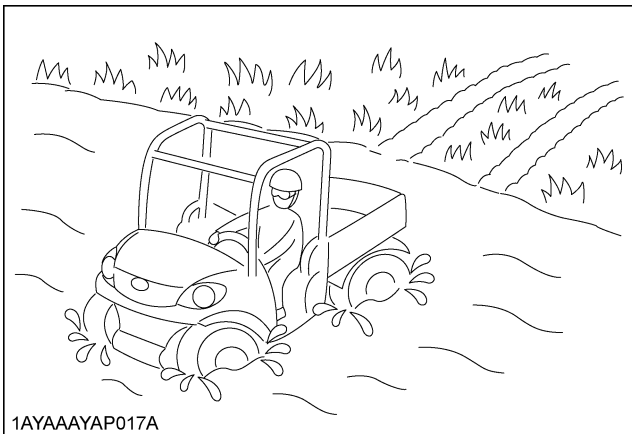
WARNING

To avoid personal injury:

- Do not drive through water whenever it is possible.
- Drive slowly across shallow water and choose a location to enter and exit the water where the banks are not too steep or slippery.
- Check before entering for rocks, holes or other obstacles that may cause overturn, get stuck or submerged.
- Never operate the vehicle in fast flowing water or in excess of 152 mm in depth. Tires may float, making it difficult to maintain control.
- Wet brakes may reduce the stopping ability of the vehicle. After operating in water, always apply the brakes to dry them out.
- The brake that gets wet may wear out faster. Check for brake wear more frequently if operating in water often.

IMPORTANT :

- Do not drive through water whenever it is possible. If the alternator drive belt becomes wet, slippage may occur.



(1) Axle cap

CARGO BED

CARGO BED

General Caution



WARNING

To avoid personal injury:

- Never carry passengers in the cargo bed. They can be tossed about or even thrown off causing serious injury or death.
- Never raise the cargo bed when it is loaded.
- Driving with the cargo bed tilted may be hazardous.
Always lower the bed and latch the bed before driving.
- Be careful not to put any part of your body, such as hands or arms, between the bed and vehicle.
- Drive slowly when it is loaded.



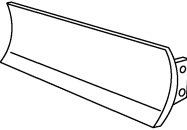








CAUTION

To avoid personal injury:

- Do not raise the cargo bed while the engine is running above low idle.

Max. Cargo Load

	Operator	Passenger	Opt. + Acc.	Cargo Bed Capacity
ROPS type 	 95 kg	---	 Blade	200 kg - W
	 95 kg	 95 kg		200 kg - W
CAB type  104 kg <small>1AYAAAYAP170A</small>	 95 kg	---		200 kg - W
	 95 kg	 95 kg		136 kg - W

IMPORTANT :

- Cargo Bed Capacity (CBC) is 200 kg.
- Never carry loads exceeding the Permissible Cargo Load (PCL).

NOTE :

- Max. Cargo load should not exceed "CBC" or "PCL".

PCL = PC - (operator + passenger + opt. + acc. + cabin) weight

(PCL: Permissible Cargo Load / CBC: Cargo Bed Capacity / opt.: option / acc.: accessory / PC: Payload Capacity)

[Payload capacity]

Payload capacity kg	430
---------------------	-----

■ Cargo Bed Tailgate



CAUTION

To avoid personal injury:

- Do not apply a load to the tailgate while the tailgate is open, or the wire loop may break.
- Do not place fingers or hands between the tailgate and the arm (latch) when closing, or fingers or hands may be pinched.

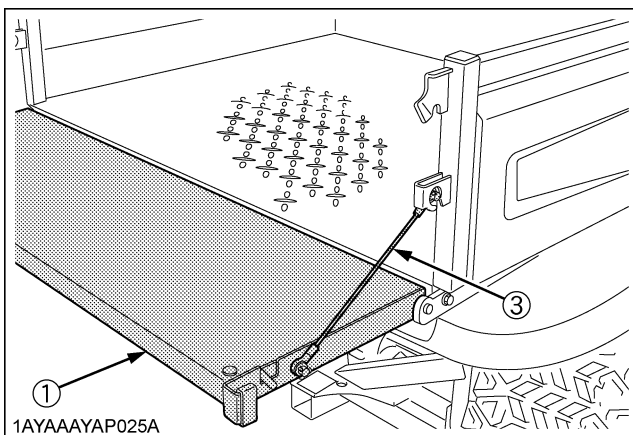
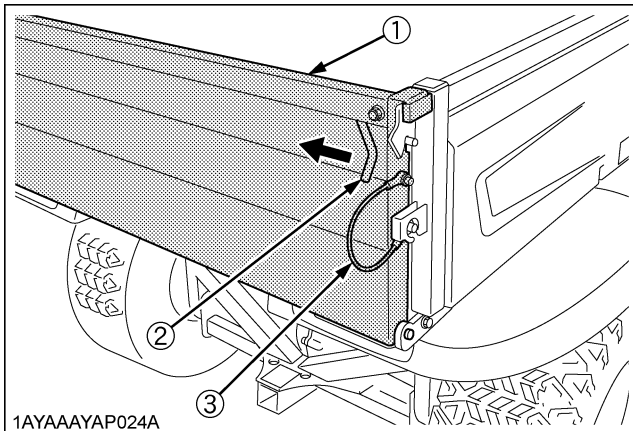
For loading and unloading, the tailgate of the cargo bed can be opened.

The tailgate is held level to the cargo bed floor with wire loops.

Do not move the vehicle with the tailgate fully lowered.

In a fully lowered position, the tailgate may obstruct the vehicle tail lamps and damage them by swinging motion.

1. Raise the arms (latch) at each end of the tailgate and open the tailgate.
2. Close the tailgate by lifting it and pushing it firmly closed. Push the arms (latch) down to make sure the latches stay securely closed.



- (1) Tailgate
(2) Arm (latch)
(3) Wire loop

IMPORTANT :

- TO AVOID TAILGATE DAMAGE:
Remove the rear trailer hitch when wire loop is removed and cargo bed is raised.

■ Raising and Lowering the Cargo Bed

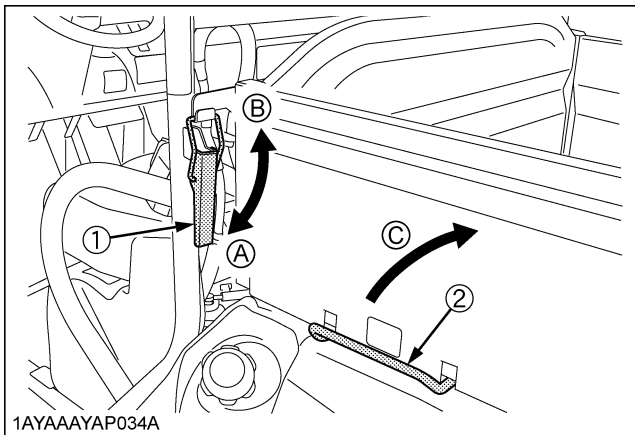


CAUTION

To avoid personal injury;

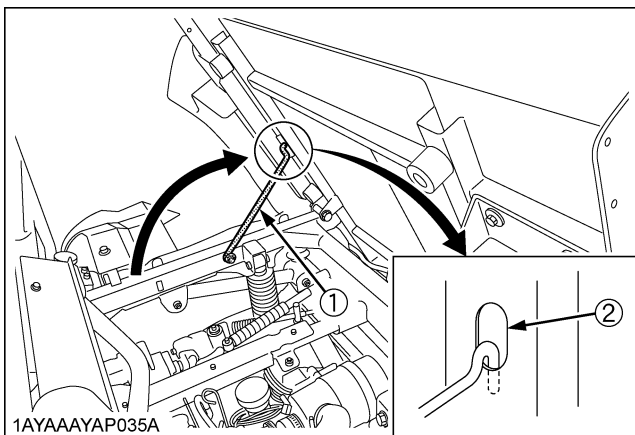
- Make sure the vehicle is on a firm, level surface and the parking brake is applied before raising the cargo bed and securing the cargo bed in the raised position.
- A loaded cargo bed can be very heavy. Never raise the cargo bed when it is loaded. Unload the cargo bed before raising it by hand.

1. Park the vehicle on a flat surface.
2. Empty the cargo bed by hand.
3. Release the latches on both sides and then raise the cargo bed with the hand grip.



- | | |
|---------------|---------------|
| (1) Latch | (A) "LOCK" |
| (2) Hand grip | (B) "RELEASE" |
| | (C) "RAISE" |

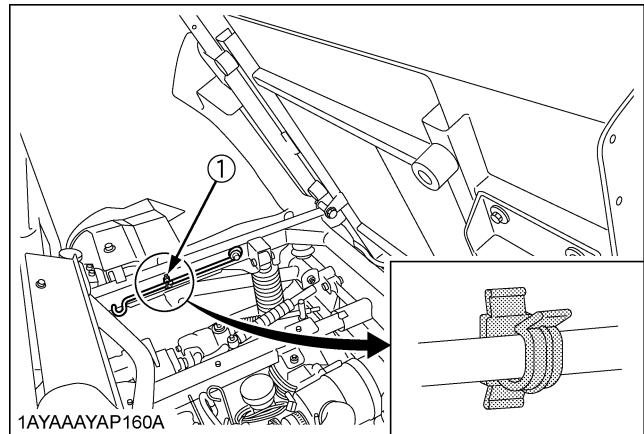
4. Push the safety support into the latch slot to lock when the cargo is fully raised.



- | |
|--------------------|
| (1) Safety support |
| (2) Latch slot |

5. To lower the cargo bed, raise the cargo bed slightly using the handgrip.

6. Release the safety support from the latch slot by pulling up on the middle of the support.
7. Put the safety support into the support holder.



(1) Support holder

8. Slowly lower the cargo bed onto the frame and set the latches on both sides.

TIRES AND WHEELS

TIRES



WARNING

To avoid personal injury:

- Do not attempt to mount a tire on a rim. This should be done by a qualified person with the proper equipment.
- Always maintain the correct tire pressure. Do not inflate tires above the recommended pressure shown in the operator's manual.

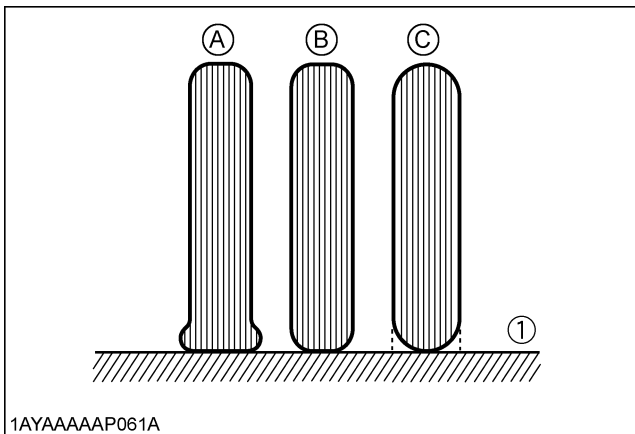
IMPORTANT :

- Do not use tires other than those approved by KUBOTA.

Inflation Pressure

Though the tire pressure is factory-set to the prescribed level, it naturally drops slowly in the course of time. Thus, check it everyday and inflate as necessary.

Tire sizes	Inflation Pressure
24 x 9 - 12 HDWS, Front 24 x 11 - 12 HDWS, Rear	97 kPa (0.97 kgf/cm ²)
24 x 9 - 12 ATV, Front 24 x 11 - 12 ATV, Rear	



1AYAAAAAP061A

(1) Ground

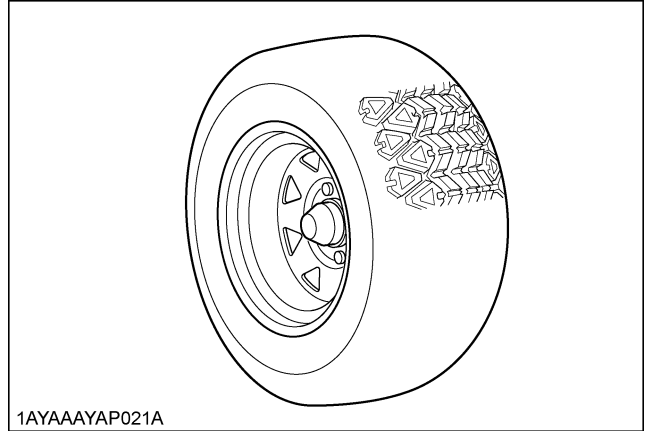
(A) "INSUFFICIENT"

(B) "NORMAL"

(C) "EXCESSIVE"

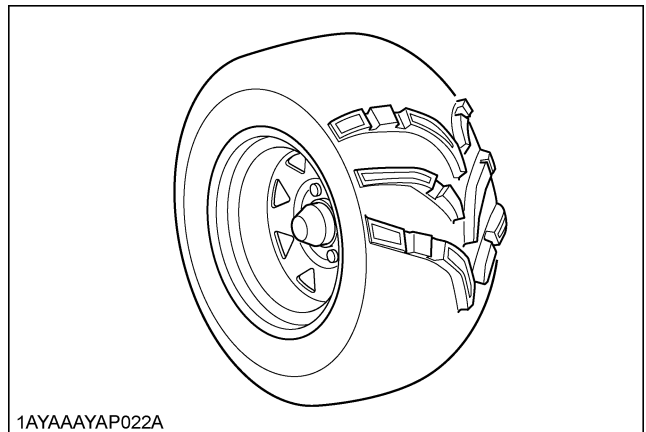
Tire Type and Use

- ◆ Heavy duty work site tire



1AYAAAAAP021A

- ◆ All terrain vehicle tire



1AYAAAAAP022A

WHEELS



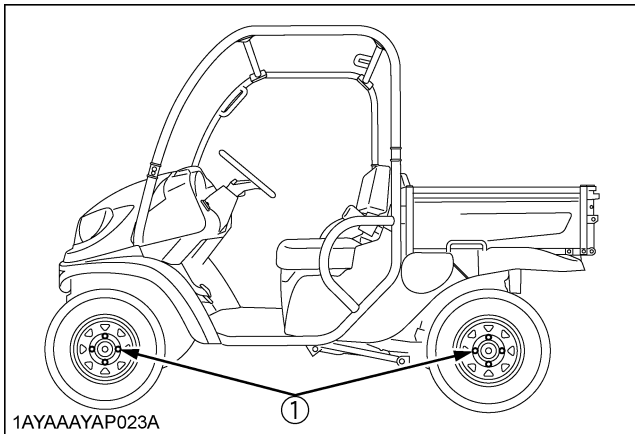
CAUTION

To avoid personal injury:

- Support vehicle securely on stands before removing a wheel.
- Never operate vehicle with loose wheel bolts.

IMPORTANT :

- When re-fitting a wheel, tighten the bolts to the following torques then recheck after driving the vehicle 200 m and thereafter according to service interval.



1AYAAAYAP023A

(1) Torque wheel bolts to 108.4 to 121.9 N-m
(11 to 12.4 kgf-m)

SHOCK ABSORBERS

■ Rear Shock Absorber Spring Adjustment



CAUTION

To avoid personal injury:

- Be sure to work on a firm, flat and level surface with the engine shut off and parking brake "ON".
- Keep the position of the left and right rear shock absorber equal.
Uneven adjustment can cause poor handling and loss of control, which could lead to an accident.

The spring adjusting sleeves on the rear shock absorbers have 5 positions so that the springs can be adjusted for different riding and loading conditions.

For adjusting the rear shock absorber springs, turn the adjusting sleeves on the shock absorbers to the desired position with the hook wrench.

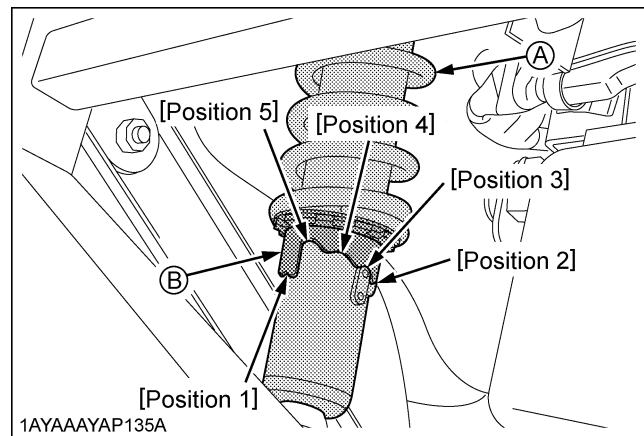
[Rear shock absorber position]

Position	Spring	Feeling	Load
1	Stronger	Hard	Heavy
2	↑	↑	↑
3 (default)			
4	↓	↓	↓
5	Weaker	Soft	Light

NOTE :

- If you feel any difficulty in the adjustment, consult your local KUBOTA dealer.

The rear shock absorber spring is adjusted to third position (default) in the figure below.



1AYAAAYAP135A

(A) Rear shock absorber

(B) Adjusting sleeve (Turn here with a hook wrench.)

TOWING

TRAILER HITCH

■ Rear Trailer Hitch [if equipped]

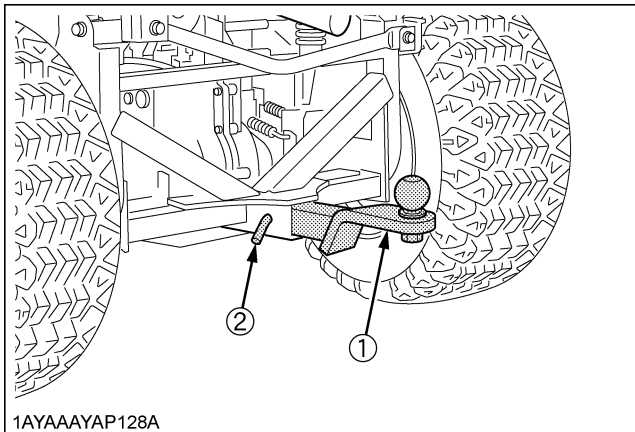


WARNING

To avoid personal injury:

- Always tow a load slowly enough to maintain control and avoid tipping.
- To provide adequate braking ability and traction, do not tow a load unless vehicle cargo bed is loaded or attachment is installed.
- Attach a trailer to the trailer hitch only.

The rear trailer hitch load is listed in the "VEHICLE LIMITATIONS" section. When towing other equipment, use a safety chain.



1AYAAAYAP128A

- (1) Rear trailer hitch (if equipped)
(2) Hitch pin (if equipped)

■ Front Trailer Hitch [if equipped]



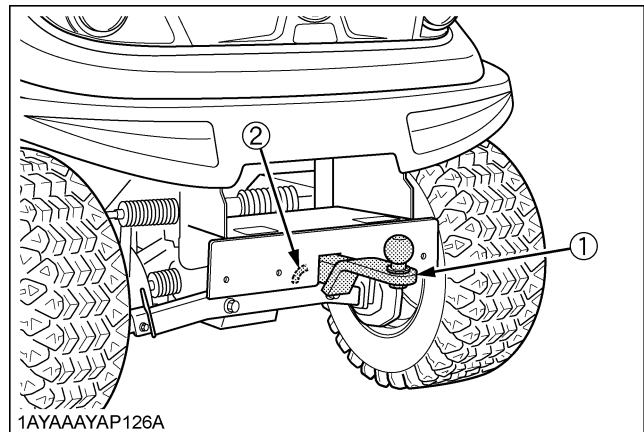
WARNING

To avoid personal injury:

- Do not tow this vehicle unless all the functions of the vehicle are properly working, since the malfunction of steering operation or braking may cause an accident.

Use the front trailer hitch for greater maneuverability in confined areas such as a barn.

The front trailer hitch load is listed in the "VEHICLE LIMITATIONS" section.



1AYAAAYAP126A

- (1) Front trailer hitch (if equipped)
(2) Hitch pin (if equipped)

MAINTENANCE



CAUTION

To avoid personal injury and vehicle damage:

- Be sure you have sufficient knowledge, experience, the proper replacement parts and tools before you attempt any vehicle maintenance task.
- If you don't have the knowledge and equipment which are necessary to perform the maintenance task, consult your local KUBOTA Dealer.
- Have your local KUBOTA Dealer perform inspection items which are marked *6 in the chart below.

SERVICE INTERVALS

IMPORTANT :

- The jobs indicated by ☉ must be done after the first 50 hours of operation.
- *1 The initial 50 hours should not be a replacement (check, change or adjustment) cycle.
- *2 Air cleaner should be cleaned more often in dusty conditions than in normal conditions.
- *3 Every 1000 hours or every 1 year whichever comes faster.
- *4 Replace if any deterioration (crack, hardening, scar, or deformation) or damage occurred.
- *5 Every 2000 hours or every 2 years whichever comes faster.
- *6 Consult your local KUBOTA Dealer for this service.
- *7 When the battery is used for less than 100 hours per year, check the battery condition by reading the indicator annually.
- *8 Vehicles subjected to extreme operations and/or conditions must be inspected and serviced more frequently.
- *9 Replace only if necessary.
- *10 On every after 1000 Hr, clean it if necessary.

Extreme Conditions:

1. Frequent or prolonged operations in dusty environments
2. Prolonged low speed operations
3. Extended idle time
4. Frequent short trips which do not let the engine warm up (especially in cold weather)

● GASOLINE ENGINE EMISSION RELATED MAINTENANCE INSTRUCTIONS:

1. Non-warranty maintenance, repair, or replacement of the emission control devices and systems should be performed by a qualified repair establishment or individual which has the experience and equipment to perform such work. See the Emissions Warranty Statement.
2. To ensure the best quality and reliability, use new KUBOTA Genuine parts or their equivalents for repair and replacement, whenever you have maintenance done.

No.	Items		Indication of Hour Meter													After 700 hrs	Ref. Page			
			50	100	150	200	250	300	350	400	450	500	550	600	650				700	
1	Greasing	Apply	○	○	○	○	○	○	○	○	○	○	○	○	○	○	○	every 50 hrs	46	
2	Engine start system	Check	○	○	○	○	○	○	○	○	○	○	○	○	○	○	○	every 50 hrs	48	
3	VHT neutral spring	Check		○		○		○		○		○		○		○	every 100 hrs	48		
4	Wheel bolt torque	Check	☉	○		○		○		○		○		○		○	every 100 hrs	48	*1	
5	Air cleaner element	Clean		○		○		○		○		○		○		○	every 100 hrs	49	*2	
		Replace																every 1000 hrs or 1 year	64	*3

No.	Items		Indication of Hour Meter													After 700 hrs	Ref. Page		
			50	100	150	200	250	300	350	400	450	500	550	600	650				700
6	Pre cleaner element	Clean		○		○		○		○		○		○		○	every 100 hrs	49	*2
		Replace																every 1000 hrs or 1 year	64
7	Alternator drive belt	Adjust		○		○		○		○		○		○		○	every 100 hrs	50	*6
8	Fuel line	Check		○		○		○		○		○		○		○	every 100 hrs	52	*4
		Replace																every 2 years	68
9	Carbon canister air filter	Check		○		○		○		○		○		○		○	every 100 hrs	53	*9
10	Battery condition	Check		○		○		○		○		○		○		○	every 100 hrs	54	*7
11	Toe-in	Adjust		○		○		○		○		○		○		○	every 100 hrs	55	
12	Spark arrester	Clean		○		○		○		○		○		○		○	every 100 hrs	56	
13	Parking brake lever	Adjust	◎			○				○						○	every 200 hrs	56	*1 *6
14	Engine oil filter	Replace	◎			○				○						○	every 200 hrs	57	*1
15	Engine oil	Change	◎			○				○						○	every 200 hrs	57	*1 *8
16	Radiator cooling fins	Clean				○				○						○	every 200 hrs	58	
17	Transmission oil filter (HST) (Yellow color)	Replace	◎			○				○						○	every 200 hrs	59	*1
18	Transmission oil filter (Suction) (Orange color)	Replace	◎			○				○						○	every 200 hrs	59	*1
19	Transmission oil	Change								○							every 400 hrs	63	
20	Spark plug condition and gap	Check				○				○						○	every 200 hrs	60	
21	Brake pedal	Check	◎			○				○						○	every 200 hrs	61	*1 *6
22	Brake hose & pipe	Check															every 1 year	67	*4
		Replace																every 4 years	68
23	Brake light switch	Check	◎			○				○						○	every 200 hrs	62	*1
24	Radiator hose and clamp	Check															every 1 year	66	*4
		Replace																every 4 years	68

No.	Items		Indication of Hour Meter													After 700 hrs	Ref. Page		
			50	100	150	200	250	300	350	400	450	500	550	600	650				700
25	Intake air line	Check															every 1 year	67	*4
		Replace															every 4 years	68	
26	Tire wear	Check	◎					○						○		every 300 hrs	62	*1	
27	Front axle case oil	Change							○							every 400 hrs	64		
28	Engine valve clearance	Adjust									○					every 500 hrs	64		
29	Engine combustion chamber	Clean														*10	64		
30	Engine timing belt	Check									○					every 500 hrs	64		
		Replace														every 1000 hrs	64		
31	Brake fluid	Change														every 2 years	68	*6	
32	Cooling system	Flush														every 2000 hrs or 2 years	65	*5	
33	Coolant	Change														every 2000 hrs or 2 years	65	*5	
34	Brake master cylinder (inner parts)	Replace														every 4 years	68	*6	
35	Engine breather hose	Check														every 1 year	67	*4	
		Replace														every 4 years	68	*6	
36	Brake pad wear	Check														Service as required	69	*6	
37	Parking brake	Adjust													69		*6		
38	Alternator drive belt	Adjust													69		*6		
39	Fuse	Replace													70				
40	Light bulb	Replace													71				

LUBRICANTS, FUEL AND COOLANT

No.	Locations	Capacities	Lubricants
1	Fuel	20 L	<ul style="list-style-type: none"> • Automobile unleaded or regular gasoline • Unleaded gasoline 87 octane or higher
2	Coolant (with reserve tank)	1.8 L	Fresh clean water with anti-freeze
3	Engine crankcase	[Filter exchanged] 1.35 L** [Filter non-exchanged] 1.2 L**	<ul style="list-style-type: none"> • Engine oil: API Service Classification SG, SH, SJ or higher Above -18 °C ...SAE10W-30 Below 0 °CSAE5W-20 or 5W-30
4	Transmission case	8.5 L	• KUBOTA UDT or SUPER UDT-2 fluid*
5	Front axle case	0.21 L	• KUBOTA UDT or SUPER UDT-2 fluid*
6	Brake fluid (reservoir and lines)	0.2 L	KUBOTA DOT3 GENUINE BRAKE FLUID

Greasing	No. of greasing points	Capacity	Type of grease
VHT link	1	Until grease overflows	Multipurpose Grease NLGI-2 OR NLGI-1(GC-LB)
Battery terminal	2	Moderate amount	Spray Type Grease
Cargo bed pivot	2		
Parking brake pivot	2		
Range gear shift lever pivot	1		
4WD lever pivot	1		
Differential lock lever	1		
Bypass link	1		

NOTE :

*KUBOTA UDT or SUPER UDT-2 fluid --- KUBOTA original transmission hydraulic fluid

**Oil amount when the oil level is at the upper level of the oil level gauge.

NOTE :

- ◆ **Engine Oil:**
Oil used in the engine should have an American Petroleum Institute (API) service classification and Proper SAE Engine Oil according to the ambient temperatures as shown above:
 - ◆ **Fuel:**
 - Gasohol (up to 10% ethyl alcohol, 90% unleaded gasoline by volume) is approved for the engine. Other gasoline/ alcohol blends are not approved.
 - If the engine is to be operated within the European Union on diesel or non-road gas-oil, a fuel with sulfur content lower than 10 mg/kg (20 mg/kg at point of final distribution), a cetane number greater than 45 and a fatty acid methyl ester (FAME) content lower than 7% volume per volume (v/v) shall be used.
 - ◆ **Transmission oil:**
To complete lubrication of the transmission, it is important that a multi-grade transmission fluid be used in this system. We recommend the use of **KUBOTA UDT or SUPER UDT-2 fluid** for optimum protection and performance. (Consult your local KUBOTA Dealer for further detail.)
Do not mix different brands or grades.
 - ◆ **Brake fluid:**
For your safety we strongly recommend KUBOTA **DOT3 GENUINE BRAKE FLUID** from a sealed container. If it is not available, you should use only DOT3 fluid as a temporary replacement from a sealed container.
However, the use of any non-KUBOTA brake fluid can cause corrosion and decrease the life of the system.
When you use DOT3 fluid other than KUBOTA DOT3 GENUINE BRAKE FLUID, we strongly recommend to have the brake system flushed and refilled with KUBOTA DOT3 GENUINE BRAKE FLUID as soon as possible.
 - Indicated capacity of water and oil are manufacturer's estimate.
-

PERIODIC SERVICE



CAUTION

To avoid personal injury:

- Do not work under any hydraulically supported devices. They can settle, suddenly leak down, or be accidentally lowered. If necessary to work under vehicle or any vehicle elements for servicing or adjustment, securely support them with stands or suitable blocking beforehand.

HOW TO OPEN THE HOOD AND TILT THE SEAT



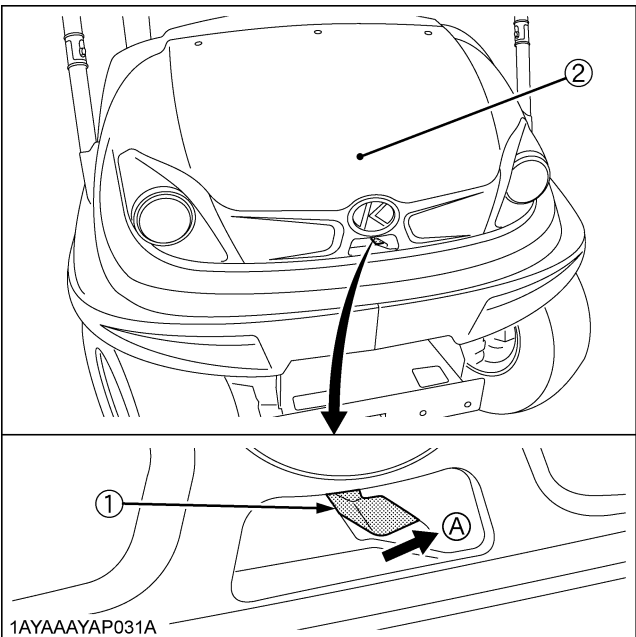
CAUTION

To avoid personal injury from contact with moving parts;

- Never open the operator's seat while the engine is running.

■ Hood

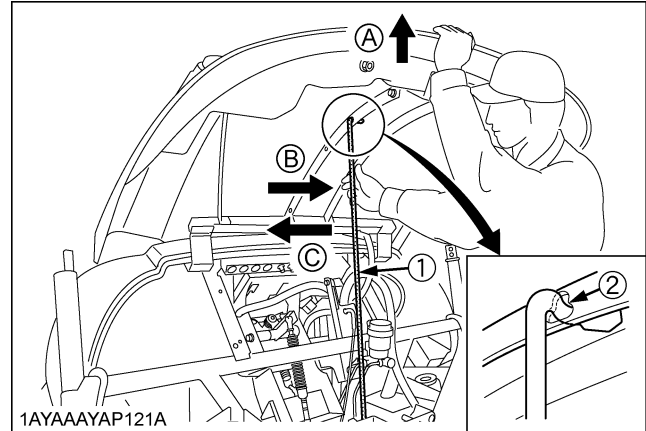
1. To open the hood, pull up the latch lever to release the latch and open the hood.
2. Push the support link into the hole to lock when the hood is fully raised.



(1) Latch lever
(2) Hood

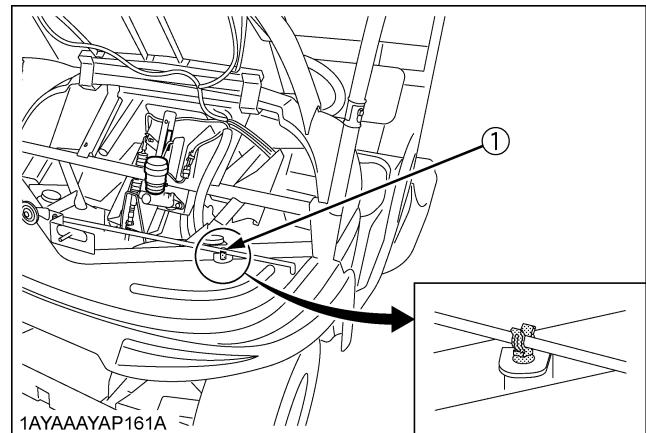
(A) "RELEASE"

5. Press-fit the hood into position with both hands.



(1) Support link
(2) Hole

(A) "HOLD"
(B) "PUSH" (Lock)
(C) "PULL" (Unlock)

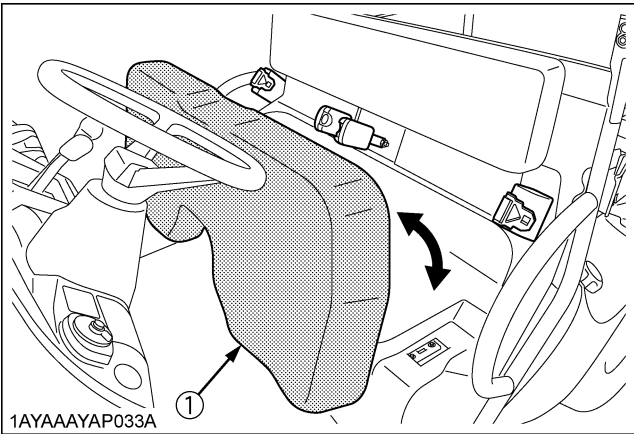


(1) Support holder

3. To close the hood, hold the hood and lift up it slightly and pull the support link to unlock.
4. Put the support link into the support holder.

Operator's Seat

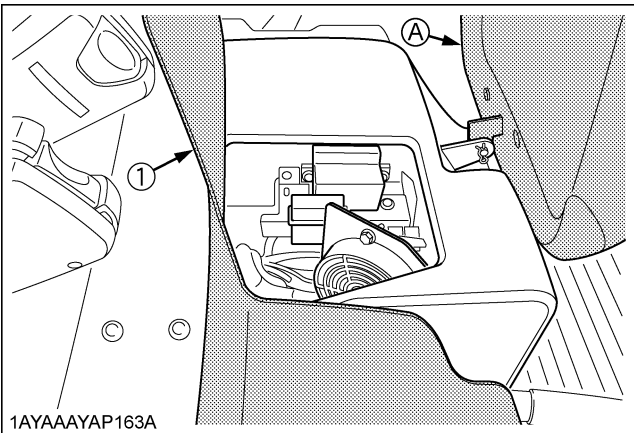
To open the seat, raise the seat to the forward position.



(1) Operator's seat

NOTE :

- For the component below the seat, turn over the rubber sheet to work on it as shown in the figure below.



(1) Rubber sheet

(A) Seat

HOW TO RAISE THE CARGO BED

CAUTION

To avoid personal injury:

- When servicing under raised bed, make sure safety support is properly mounted.
- Do not touch muffler or exhaust pipes while they are hot; Severe burns could result.

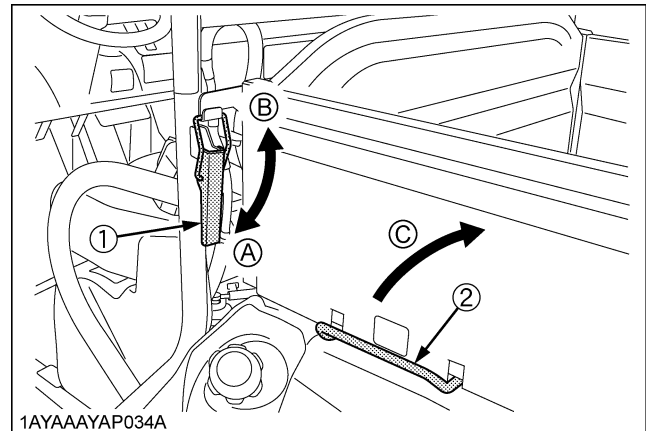
Raising and Lowering the Cargo Bed

CAUTION

To avoid personal injury:

- Make sure the vehicle is on a firm, level surface and the parking brake is applied before raising the cargo bed and securing the cargo bed in the raised position.
- A loaded cargo bed can be very heavy. Never raise the cargo bed when it is loaded. Unload the cargo bed before raising it by hand.

1. Park the vehicle on a flat surface.
2. Empty the cargo bed by hand.
3. Release the latches on both sides and then raise the cargo bed with the hand grip.



(1) Latch

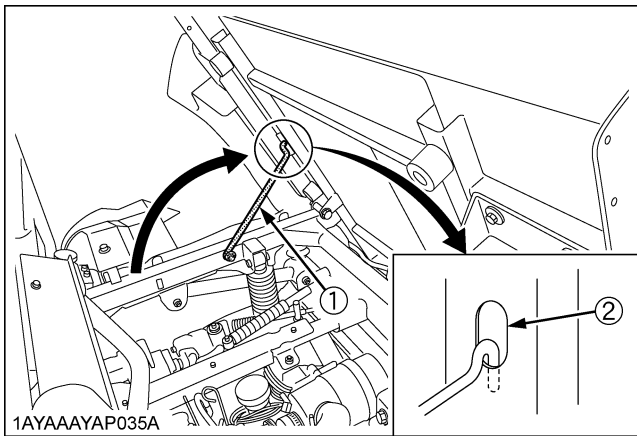
(2) Hand grip

(A) "LOCK"

(B) "RELEASE"

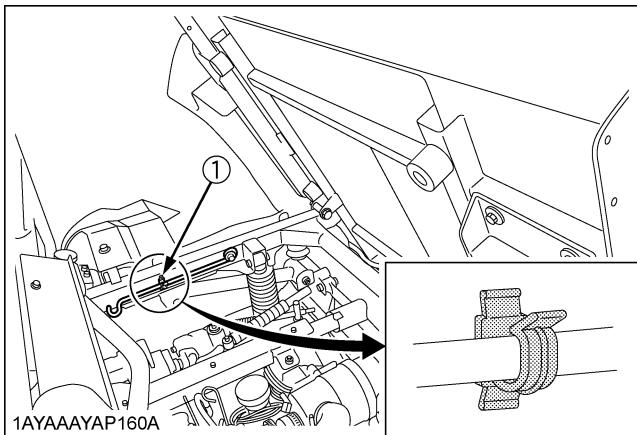
(C) "RAISE"

4. Push the safety support into the latch slot to lock when the cargo is fully raised.



(1) Safety support
(2) Latch slot

5. To lower the cargo bed, raise the cargo bed slightly using the handgrip.
6. Release the safety support from the latch slot by pulling up on the middle of the support.
7. Put the safety support into the support holder.



(1) Support holder

8. Slowly lower the cargo bed onto the frame and set the latches on both sides.

JACK-UP POINT

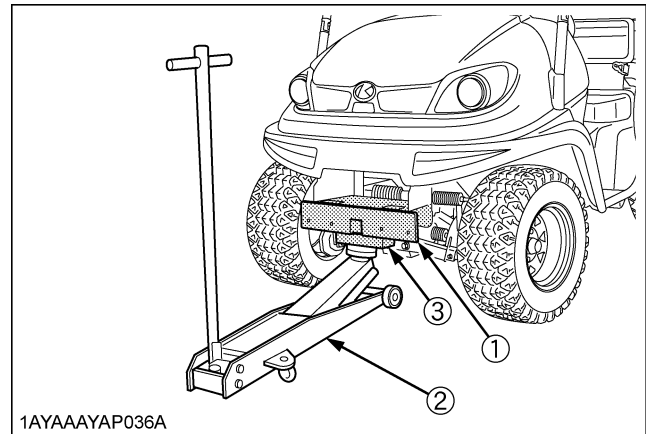
WARNING

To avoid personal injury, death or vehicle damage:

- Do not work under the vehicle unless it is secured by safe stands or suitable blocking.

■ Front End

Jack up at the front bumper only.

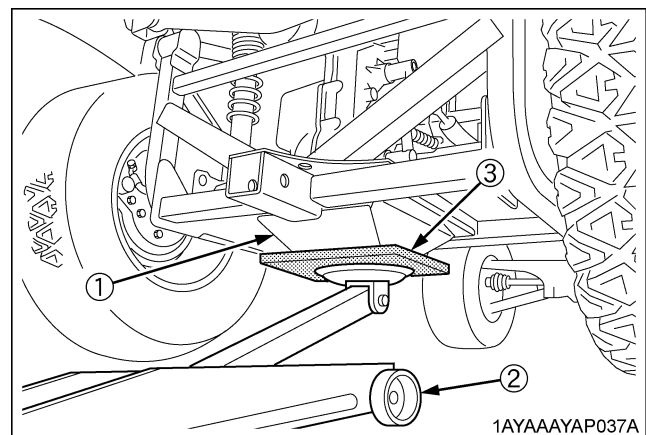


(1) Front bumper
(2) Jack
(3) Wooden block

■ Rear End

Jack up the rear side after placing a wooden block under the transmission bottom cover for securing the engine and then supporting it.

Do not jack it up supporting the steel plate portion under the transmission bottom cover directly.



(1) Transmission bottom cover
(2) Jack
(3) Wooden block

DAILY CHECK

For your own safety and maximum service life of the vehicle, make a thorough daily inspection before operating the vehicle to start the engine.



WARNING

To avoid serious injury:

- Be sure to check and service the vehicle on a flat surface with the engine shut off and the parking brake "ON".

■ Walk Around Inspection

Look around and under the vehicle for such items as loose bolts, trash build-up, oil or coolant leaks, broken or worn parts.

■ Checking Amount of Fuel and Refueling



WARNING

To avoid serious injury:

- Handle fuel carefully. If the engine is running, do not fill the fuel tank. If engine is hot, let engine cool several minutes before adding fuel. Do not smoke while filling the fuel tank or servicing the fuel system. Fill fuel tank only to bottom of filler neck. Do not fill completely full. The empty space in the tank allows gasoline to expand, when it heats up. Never remove the fuel tank cap or add fuel when the fuel tank is hot.



1BDABARAP121A

Check the fuel level. Take care that the fuel tank does not become empty.

Fuel tank capacity	20 L
--------------------	------

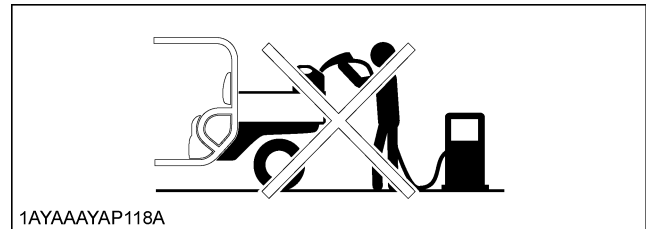
IMPORTANT :

- Do not mix oil with gasoline.

Use only unleaded gasoline with an octane rating index of 87 or higher may be used.

NOTE :

- Use fuel within approximately 30 days after purchase to avoid deterioration in fuel quality, or add fuel stabilizer to keep fuel fresh and stabilized.
- Fuel blend differs from season to season for the best seasonal engine performance. To prevent engine performance troubles such as vapor lock or hard starting, use fuel within the season in which the fuel is purchased.
- Infrequent use of the engine during a season can make fuel stale in the fuel tank of the machine. Stale fuel condition can cause engine performance troubles by varnish and plugged carburetor components.
- Seal the fuel storage container tightly and store it out of sunlight and heat to prevent fuel degradation.
- Condensation in the fuel tank may occur because of various operating or environmental conditions. To reduce condensation and avoid affecting machine operation, fill the fuel tank at the end of daily operation and store fuel in the plastic container.



1AYAAAYAP118A

- Use only an approved fuel container. Use only non-metal, portable fuel containers approved by the Underwriter's Laboratory (U.L.) or the American Society for Testing & Materials (ASTM). If using a funnel, make sure it is plastic and has no screen or filter.
- Never remove the fuel tank cap or add fuel with the engine running. Allow the engine to cool before refueling.
- Never add fuel to or drain fuel from the machine indoors. Move the machine outdoors and provide adequate ventilation.
- Clean up spilled fuel immediately. If fuel is spilled on clothing, change clothing immediately. If fuel is spilled near machine, do not attempt to start the engine but move the machine away from the area of spillage. Avoid creating any source of ignition until fuel vapors have dissipated.
- Never store the machine or fuel container where there is an open flame, spark, or pilot light such as on a water heater or other appliance.
- Prevent fire and explosion caused by static electric discharge. Static electric discharge can ignite fuel vapors in an ungrounded fuel container.
- Never fill containers inside a vehicle or on a truck or a trailer bed with a plastic liner. Always place containers on the ground away from your vehicle before fueling.

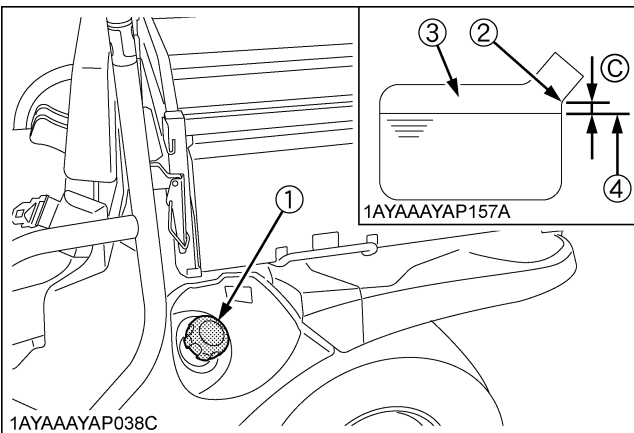
- Remove fuel-powered equipment from the truck or the trailer and refuel it on the ground. If this is not possible, then refuel such equipment with a portable container, rather than from a fuel dispenser nozzle.
- Keep the nozzle in contact with the rim of the fuel tank or container opening at all times until the fueling is complete. Do not use a nozzle lock-open device.
- Never overfill fuel tank. Replace the fuel tank cap and tighten securely.
- Replace all fuel container caps securely after use.
- For gasoline engines, do not use gas with methanol. Methanol is harmful to your health and to the environment.

IMPORTANT :

- Do not use stale fuel.
- Fill fuel tank at the end of daily operation to prevent condensation in the fuel tank.

[Use of alcohol mixed gasoline (Gasohol)]

Use "gasohol" only when the ethanol additive is less than 10% of the fuel. The use of methanol additive is not recommended. For the best results, use unleaded fuel with a minimum of 87 octane.



- (1) Fuel tank cap
- (2) Fuel tank filler neck
- (3) Empty space
- (4) Max. fuel level
- (C) Clearance (Fuel level is under the filler neck lower side.)

■ Checking Engine Oil Level

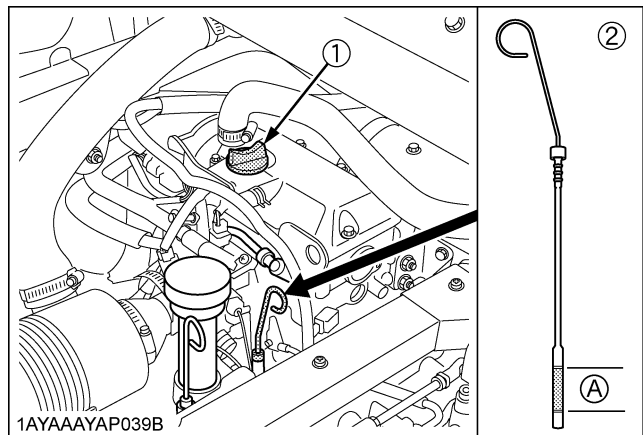


CAUTION

To avoid personal injury:

- Be sure to stop the engine before checking the oil level.

1. Park the vehicle on a flat surface and raise the cargo bed. Shut off the engine and remove the key.
2. Allow the engine to cool for 5 minutes or more.
3. To check the oil level, draw out the dipstick, wipe it clean, replace it, and draw it out again. Check to see that the oil level lies between the 2 notches. If the level is too low, add new oil to the prescribed level at the oil inlet.
(See "LUBRICANTS, FUEL AND COOLANT" in "MAINTENANCE" section.)



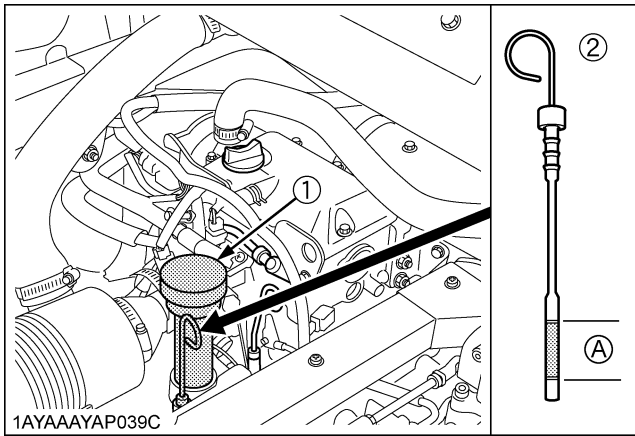
- (1) Oil inlet
- (A) Oil level is acceptable within this range.
- (2) Dipstick

IMPORTANT :

- When using an oil of different maker or viscosity from the previous one, remove all of the old oil. Never mix 2 different types of oil.
- If oil level is low, do not run engine.

■ Checking Transmission Fluid Level

1. Park the vehicle on a flat surface and raise the cargo bed. Shut off the engine and remove the key.
2. Allow the engine to cool for 5 minutes or more.
3. To check the oil level, draw out the dipstick, wipe it clean, replace it, and draw it out again. Check to see that the oil level lies between the 2 notches.
If the level is too low, add new oil to the prescribed level at the oil inlet.
(See "LUBRICANTS, FUEL AND COOLANT" in "MAINTENANCE" section.)



(1) Oil inlet (A) Oil level is acceptable within this range.
(2) Dipstick

IMPORTANT :

- If oil level is low, do not run engine.

■ Checking Coolant Level



CAUTION

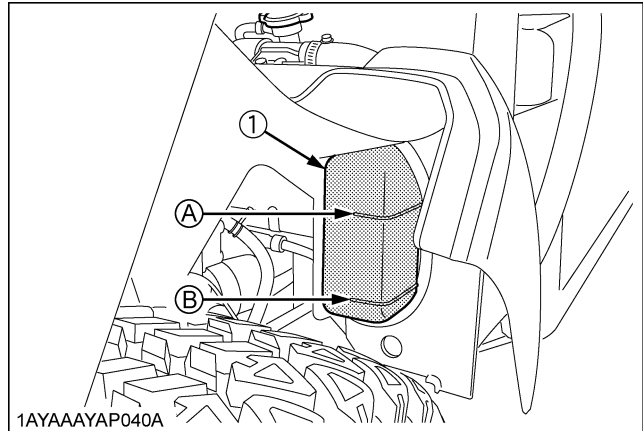
To avoid personal injury:

- Do not remove radiator cap while coolant is hot. When cool, slowly rotate cap to the first stop and allow sufficient time for excess pressure to escape before removing the cap completely.

1. Park the vehicle on a flat surface and raise the cargo bed.
2. Check to see that the coolant level is between the "FULL" and "LOW" marks of recovery tank.
3. When the coolant level drops due to evaporation, add water only up to the full level.

In case of leakage, add anti-freeze and water in the specified mixing ratio up to the full level.

(See "Flush Cooling System and Changing Coolant" in "EVERY 2000 HOURS or EVERY 2 YEARS" in "PERIODIC SERVICE" section.)



(1) Recovery tank (A) "FULL"
(B) "LOW"

IMPORTANT :

- If the radiator cap has to be removed, follow the caution above and securely retighten the cap.
- Use clean, fresh water and anti-freeze to fill the recovery tank.
- If water should leak, consult your local KUBOTA Dealer.

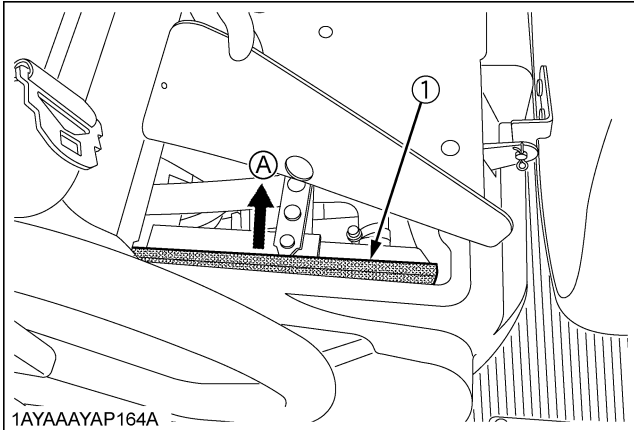
■ Cleaning Radiator Screen

⚠ CAUTION

To avoid personal injury:

- Be sure to stop the engine before removing the screen.

1. Park the vehicle on a flat surface and raise the seat.
2. Detach the screen and remove all foreign materials.



(1) Radiator screen

(A) "DETACH"

IMPORTANT :

- Radiator screen must be clean from debris to prevent engine from overheating.

■ Checking Engine Cooling Fan

[For those of the engine serial number 8U0086 or later, check the fan operation.]

⚠ CAUTION

To avoid personal injury:

- Do not stick your finger in the fan operating section when performing visual check.
 - Wear protective equipment when performing visual check.
 - Never start engine while standing on the ground.
- Start engine only from the operator's seat.

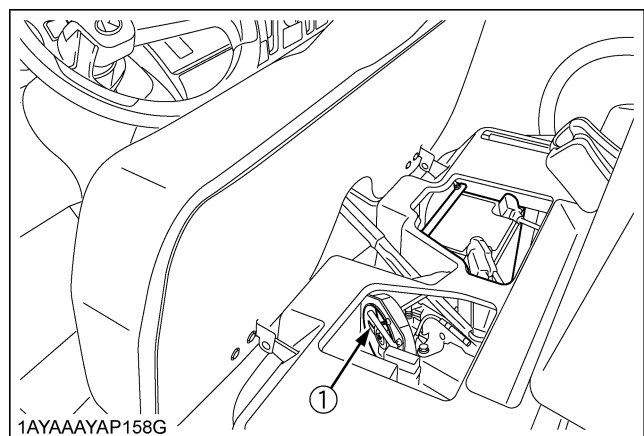
1. Park the vehicle on a flat surface and apply the parking brake.
2. Start up the engine.
3. After starting up the engine, get off the operator's seat and hold up the seat to visually check that the fan is operating.
4. The fan should come on 5 sec. after starting engine and operate for 10 sec.
5. If the fan will not operate, do not operate the vehicle but consult with your dealer.

[Exceptions in Operation]

- If the engine coolant temperature is higher than 87°C ($\geq 87^\circ\text{C}$) at startup, the fan will turn on immediately and run until the engine coolant temperature is less than 80°C ($< 80^\circ\text{C}$).
- When the water temperature sensor is in trouble, the fan start operating.

IMPORTANT :

- If the engine startup is failed, return the key to the "OFF" position (ENGINE STOP POSITION).



(1) Engine cooling fan

■ Checking Brake Fluid Level

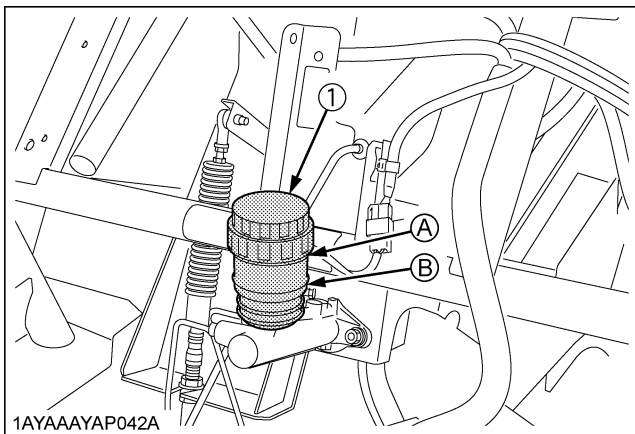
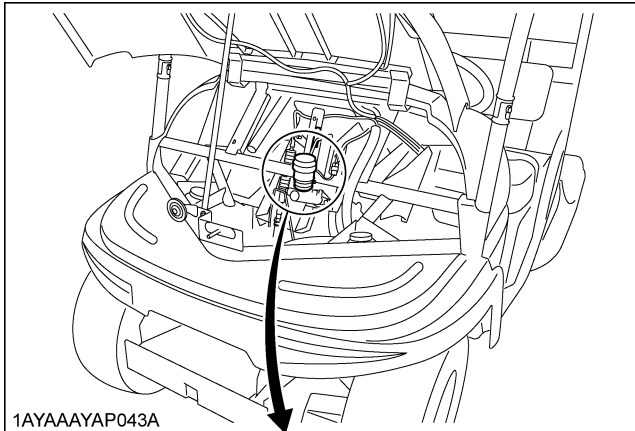


CAUTION

To avoid personal injury:

- Never operate the vehicle, if the brake fluid is below the "MIN" mark.
- For your safety we strongly recommend KUBOTA DOT3 GENUINE BRAKE FLUID from a sealed container. Using other type of oil ruins synthetic resin or rubber installed in brake system components, and may cause brake failure.
- Avoid contamination of the brake fluid. Thoroughly clean area around the filler cap before removing. Do not open the brake fluid reservoir cap unless absolutely necessary.
- Use extreme care when filling the reservoir. If brake fluid is spilled on power steering hose, wash off with water immediately. Brake fluid quickly ruins synthetic resin or rubber hoses.

1. Park the vehicle on a level ground and open the hood.
2. Check to see that the brake fluid level is between the "MAX" and "MIN" marks.
3. If it is below the "MIN" mark, add brake fluid to the "MAX" mark.



(1) Oil tank cap

(A) "MAX"
(B) "MIN"

■ Checking Brake Pedal

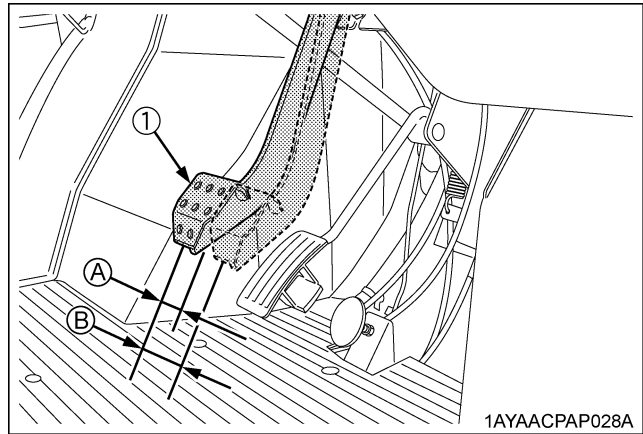


CAUTION

To avoid personal injury:

- Stop the engine and chock the wheels before checking brake pedal.

1. Inspect the brake pedals for free travel, and smooth operation.
2. Adjust if incorrect measurement is found: (See "Checking Brake Pedal" in "EVERY 200 HOURS" in "PERIODIC SERVICE" section.)



(1) Brake pedal

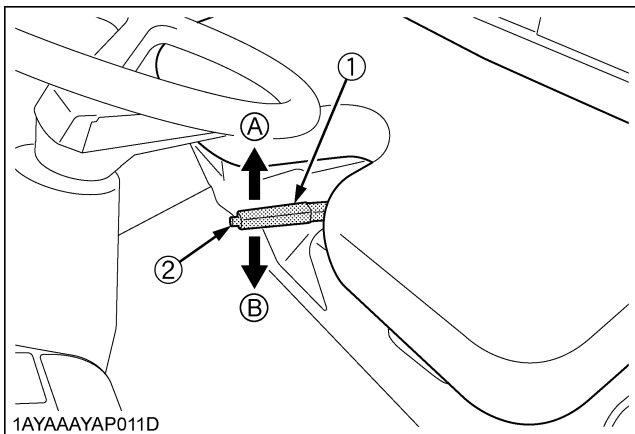
(A) "FREE TRAVEL"
(B) "PEDAL STROKE"

■ Checking Parking Brake

Pull the parking brake lever to apply the brakes. With the key switch at "ON" position, the brake indicator on the instrument panel lights up. To release the brakes, push the button at the tip of the parking brake lever and tilt down the lever.

NOTE :

- Make sure the brake indicator light on the Easy Checker(TM) goes off when parking brake lever is down.



(1) Parking brake lever (A) "PULL"
(2) Release button (B) "RELEASE"

■ Checking Gauges, Meter and Easy Checker(TM)

1. Inspect the instrument panel for broken gauge(s), meter(s) and Easy Checker(TM) lamps.
2. Replace if broken.

■ Checking Head Light, etc.

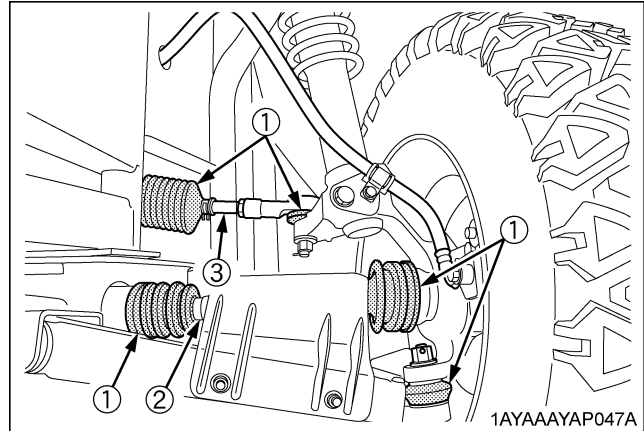
1. Inspect the lights for broken bulbs and lenses.
2. Replace if broken.

■ Checking Seat Belt and ROPS

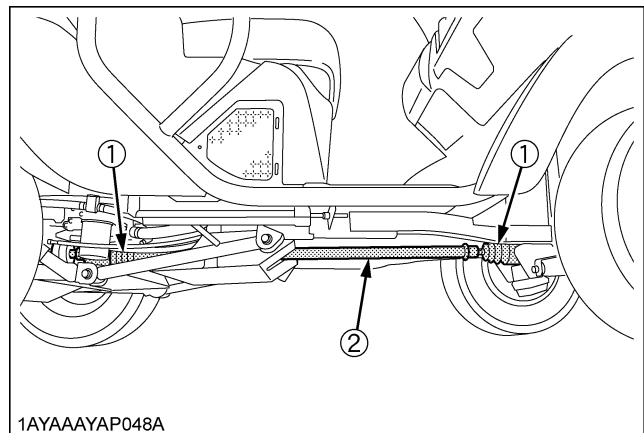
1. Always check condition of seat belt and ROPS attaching hardware before operating vehicle.
2. Replace if damaged.

■ Checking Joint Boot

1. Check to see if the joint boots are not damaged.
2. If the boots are cuts, cracked or shows signs of deterioration, consult your local KUBOTA Dealer.



(1) Joint boot
(2) Front drive shaft
(3) Tie rod

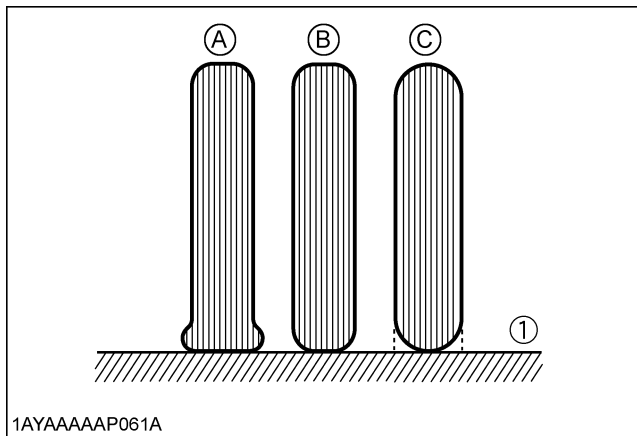


(1) Joint boot
(2) Drive shaft

■ Checking Tire Inflation Pressure

Though the tire pressure is factory-set to the prescribed level, it naturally drops slowly in the course of time. Thus, check it everyday and inflate as necessary.

Tire sizes	Inflation Pressure
24 x 9 - 12 HDWS, Front 24 x 11 - 12 HDWS, Rear	97 kPa (0.97 kgf/cm ²)
24 x 9 - 12 ATV, Front 24 x 11 - 12 ATV, Rear	



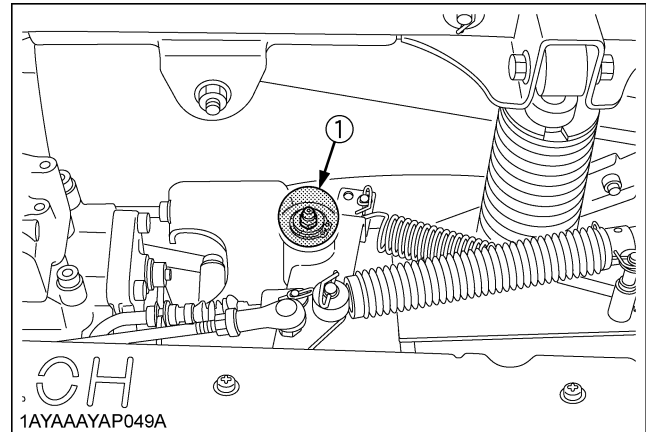
(1) Ground

- (A) "INSUFFICIENT"
- (B) "NORMAL"
- (C) "EXCESSIVE"

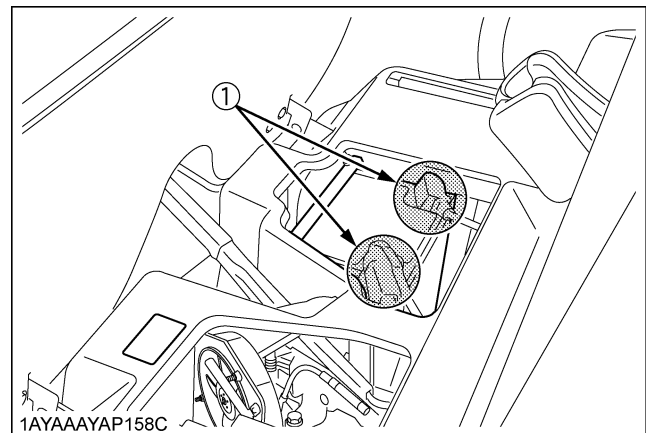
EVERY 50 HOURS

■ Greasing

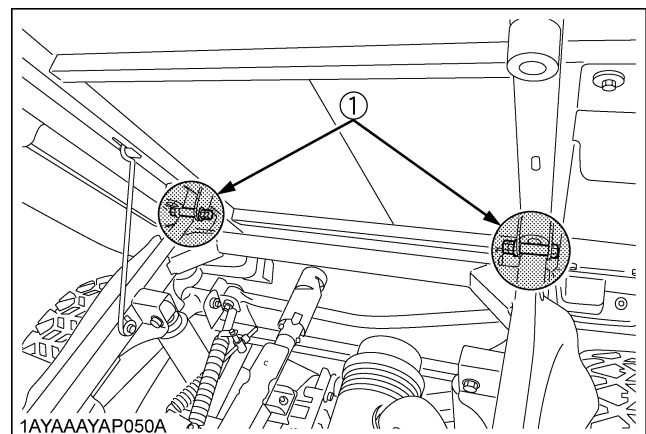
Apply a small amount of multi-purpose grease to the following points every 50 hours: If you operated the vehicle in extremely wet and muddy conditions, lubricate grease fittings more often.



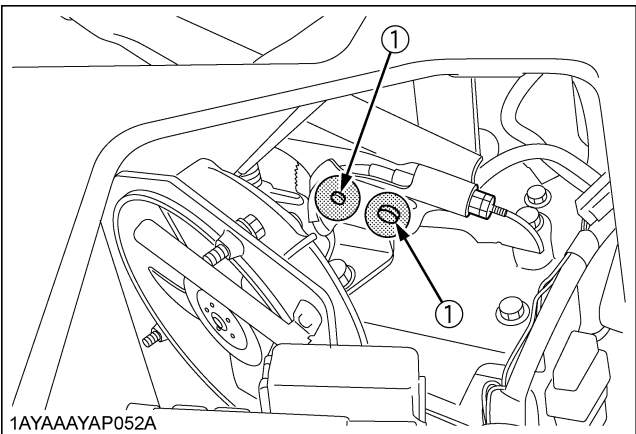
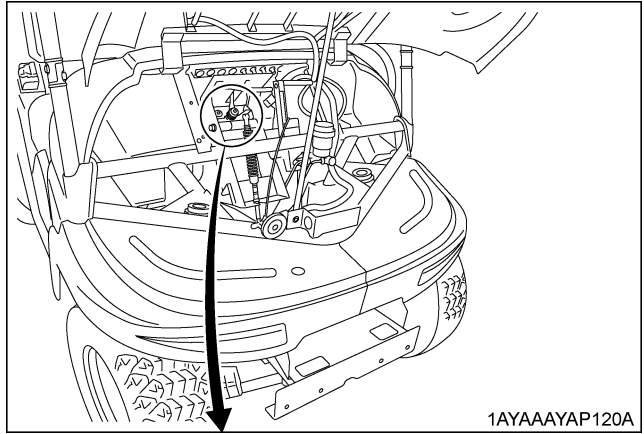
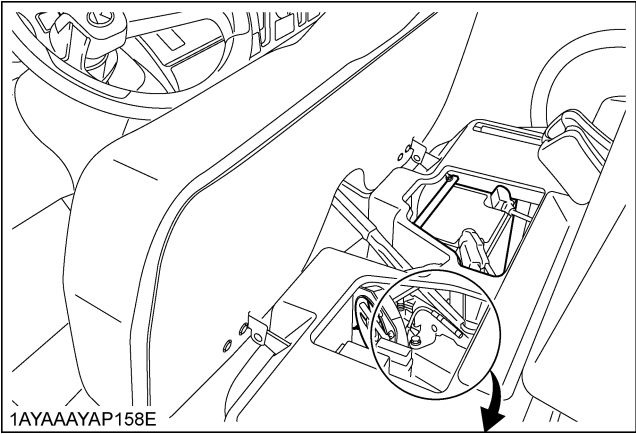
(1) VHT link (Grease fitting)



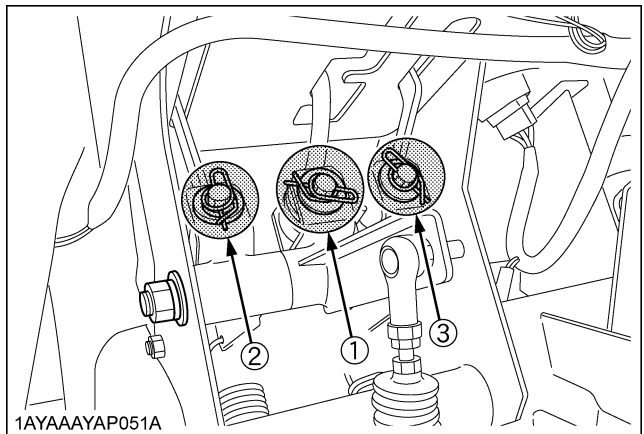
(1) Battery terminals (spray type grease)



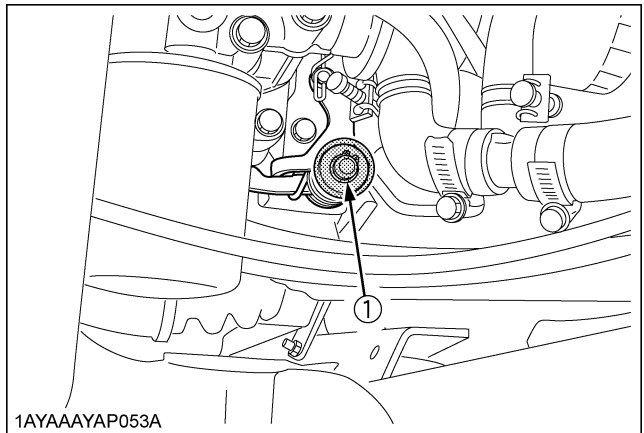
(1) Cargo bed pivot (spray type grease)



(1) Parking brake pivot (spray type grease)



(1) Range gear shift lever pivot (spray type grease)
 (2) 4WD lever pivot (spray type grease)
 (3) Differential lock lever (spray type grease)



(1) Bypass link (spray type grease)

■ Checking Engine Start System



CAUTION

To avoid personal injury:

- Do not allow anyone near the vehicle while testing.
- If the vehicle does not pass the test do not operate the vehicle.

◆ Preparation before testing.

1. Place all control levers in the "NEUTRAL" position.
2. Set the parking brake and stop the engine.

◆ Test: Range gear shift lever safety switch

1. Sit on the operator's seat.
2. Shift the range gear shift lever to "H" position.
3. Return the Speed control pedal to the "N" position.
4. Turn the key to "START" position.
5. The engine must not crank.
6. Repeat the step 2 to 5 with the range gear shift lever at "L" and "R" each position.
7. If it cranks, consult your local KUBOTA Dealer for this service.

EVERY 100 HOURS

■ Checking VHT Neutral Spring

1. Park the vehicle on a flat place.
2. Apply the parking brake.
3. Shift the range gear shift lever to the neutral position.
4. Start the engine.
5. Make sure that the rotation speed of the engine returns to the idling rotation immediately when taking the foot off the pedal, after depressing the speed control pedal several times. If the above does not occur immediately, consult your local KUBOTA dealer for this service.

■ Checking Wheel Bolt Torque

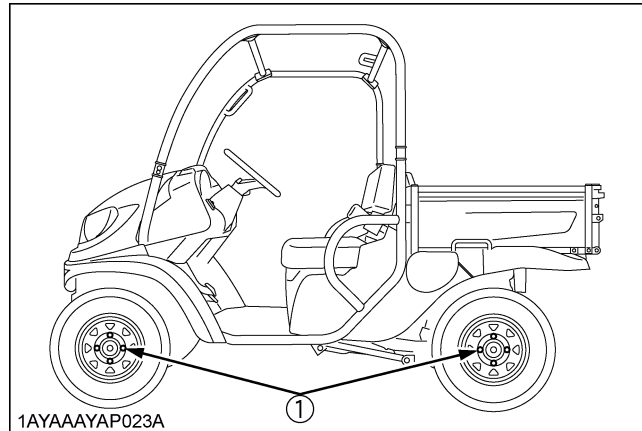


CAUTION

To avoid personal injury:

- Never operate vehicle with a loose wheel bolts.
- Any time bolts are loosened, retighten to the specified torque.
- Check all bolts frequently and keep them tight.

Check wheel bolts regularly especially when new. If they are loose, tighten them as follows.



(1) Torque wheel bolts to 108.4 to 121.9 N-m
(11 to 12.4 kgf-m)

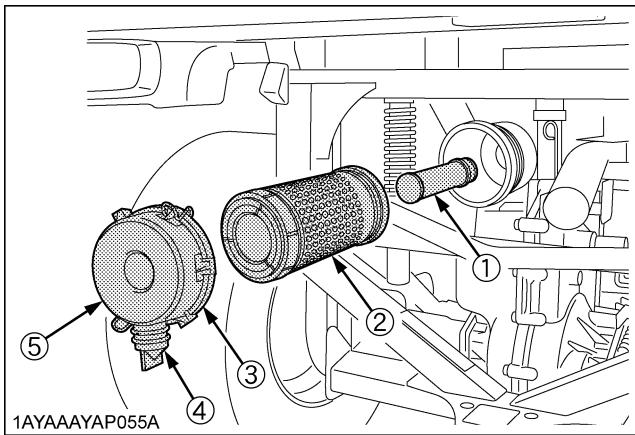
■ Cleaning Air Cleaner Primary Element

1. Remove the air cleaner cover and primary element.
2. Clean the primary element:
 - (1) When dry dust adheres to the element, blow compressed air from the inside, turning the element. Pressure of compressed air must be under 205 kPa (2.1 kgf/cm²).
 - (2) When carbon or oil adheres to the element, replace the element with new one even if it has not been used for 1 year.
3. Replace the primary element:

Once yearly or after every sixth cleaning, whichever comes first.

NOTE :

- Check to see if the evacuator valve is blocked with dust.
- Check the rubber seal. Replace if damaged.



- (1) Secondary (safety) element
- (2) Primary element
- (3) Rubber seal
- (4) Evacuator valve
- (5) Cover

IMPORTANT :

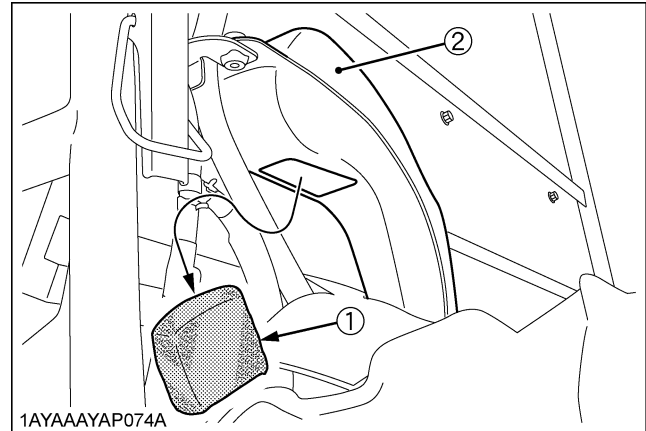
- The air cleaner uses a dry element, never apply oil.
- Do not run the engine with filter element removed.
- Be sure to refit the cover with the arrow (on the rear of cover) upright. If the cover is improperly fitted, evacuator valve will not function and dust will adhere to the element.
- Do not touch the secondary element except in cases where replacing is required.
(See "Replacing Air Cleaner Secondary Element" in "EVERY 1 YEAR" in "PERIODIC SERVICE" section.)

◆ Evacuator Valve

Open the evacuator valve once a week under ordinary conditions - or daily when used in a dusty place - to get rid of large particles of dust and dirt.

■ Cleaning Pre Cleaner Element

1. Remove the Pre cleaner element.



- (1) Pre cleaner element
- (2) Intake air line

2. Wash the pre cleaner in warm water with detergent. Rinse the pre cleaner thoroughly until all traces of detergent are eliminated. Squeeze out excess water. Allow the pre cleaner to air dry.
3. Reinstall the pre cleaner.

■ Adjusting Alternator Drive Belt Tension



CAUTION

To avoid personal injury:

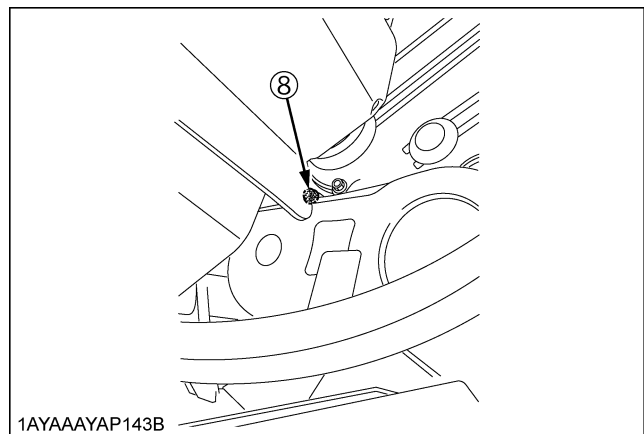
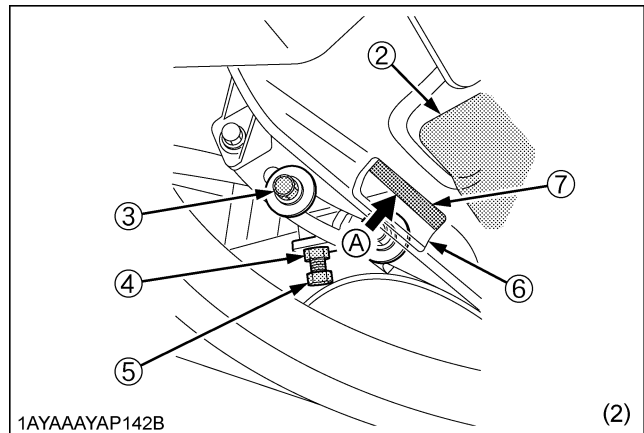
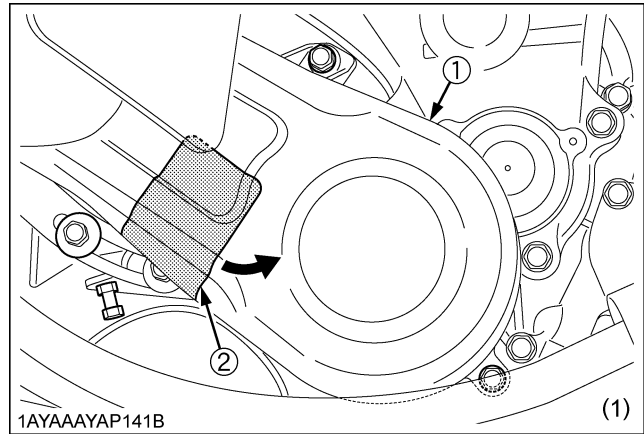
- Be sure to stop the engine before checking belt tension.
- Allow the engine to cool down sufficiently before adjustment.

[If equipped with the belt cover with rubber checking belt cover; the first 2 digits of the engine serial number are other than 8L, 8N, and 8Q.]

◆ Checking procedure

1. Park the vehicle on a flat surface.
2. Stop the engine and remove the key.
3. Move the checking belt cover to the direction of the arrow in the figure (1).
4. First of all, apply finger pressure of 98N (10 kgf) to the belt at the center of the checking belt window as shown in the figure (2).
5. Repeat step 4. to measure the belt tension.
6. If the deflection of the belt is over the prescribed value, the alternator drive belt should be adjusted.
7. Replace the alternator drive belt if it is damaged. Consult your local KUBOTA dealer.
8. Make sure to set the checking belt cover again in place after checking.

Belt type	A type belt (22 in.)
Limited deflection of the belt at the center of the checking belt window	approx. 10.5 mm



- | | |
|-------------------------------------|---------------------------|
| (1) Belt cover | (5) Adjusting bolt |
| (2) Checking belt cover | (6) Checking belt window |
| (3) M8 bolt | (7) Alternator drive belt |
| (4) Lock nut | (8) M10 bolt |
| (A) Finger pressure of 98N (10 kgf) | |

◆ Adjusting procedure

1. Loosen the lock nut.
2. Loosen the M8 bolt.
3. Loosen the M10 bolt slightly (approx. 5 degrees).
4. Adjust the alternator drive belt tension by fastening the adjusting bolt until the deflection of the belt is set within acceptable limits (approx. 7.5 mm).

Proper alternator drive belt tension	The belt should deflect approx. 7.5 mm when the belt (7) at the center of the checking belt window is depressed with finger pressure of 98 N (10 kgf).
--------------------------------------	--

5. Fasten the M10 bolt.
6. Check that the deflection of the belt at the center of the checking belt window is proper as the fourth step of the checking procedure.

IMPORTANT :

- Make sure to check the deflection of the belt after fastening the M10 bolt.

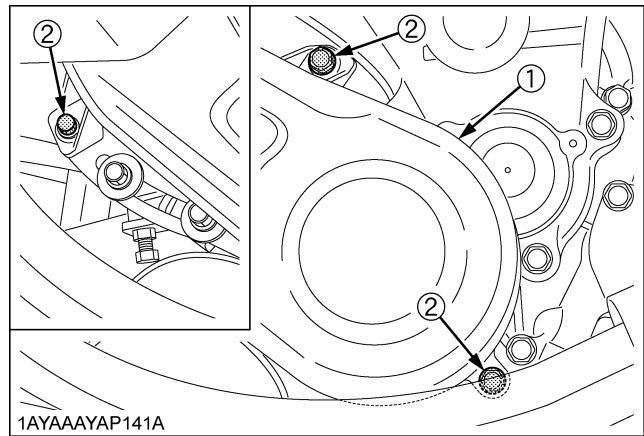
7. If the deflection of the belt is incorrect, restart the work from the third step of the adjusting procedure.
8. Fasten the M8 bolt.
9. Fix the lock nut.

[If equipped with the belt cover with no checking belt cover; the first 2 digits of the engine serial number are 8L, 8N, or 8Q.]

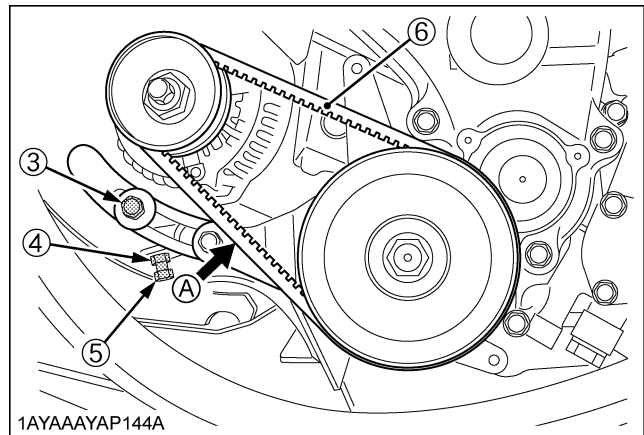
◆ **Checking procedure**

1. Park the vehicle on a flat surface.
2. Stop the engine and remove the key.
3. Remove 3 M6 bolts, and then remove the belt cover.
4. First of all, apply finger pressure of 98N (10 kgf) to the center of the belt between pulleys as shown in the figure.
5. Repeat step 4. to measure the belt tension.
6. If the deflection of the belt is over the prescribed value, the alternator drive belt should be adjusted.
7. Replace the alternator drive belt if it is damaged.
8. Make sure to set the belt cover again in place with the M6 bolts after checking.

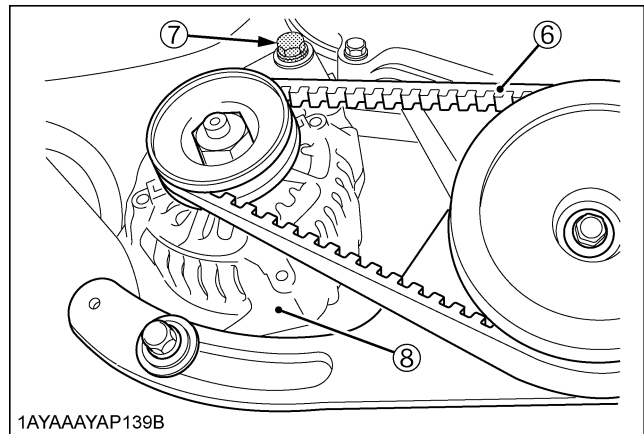
Belt type	FM type belt (22.5 in.)
Limited deflection of the belt (6) at the center of the belt between pulleys	approx. 12 mm



1AYAAAYAP141A



1AYAAAYAP144A



1AYAAAYAP139B

- | | |
|-------------------------------------|---------------------------|
| (1) Belt cover | (5) Adjusting bolt |
| (2) M6 bolt | (6) Alternator drive belt |
| (3) M8 bolt | (7) M10 bolt |
| (4) Lock nut | (8) Alternator |
| (A) Finger pressure of 98N (10 kgf) | |

◆ **Adjusting procedure**

1. Loosen the lock nut.
2. Loosen the M8 bolt.
3. Loosen the M10 bolt slightly (approx. 5 degrees).
4. Adjust the alternator drive belt tension by fastening the adjusting bolt until the deflection of the belt is set within acceptable limits (approx. 10 mm).

Proper alternator drive belt tension	The belt should deflect approx. 10 mm when the center of the belt between pulleys is depressed with finger pressure of 98 N (10 kgf).
--------------------------------------	---

5. Fasten the M10 bolt.
6. Check that the deflection of the center of the belt between pulleys is proper as the fourth step of the checking procedure.

IMPORTANT :

- Make sure to check the deflection of the belt after fastening the M10 bolt.
7. If the deflection of the belt is incorrect, restart the work from the third step of the adjusting procedure.
 8. Fasten the M8 bolt.
 9. Fix the lock nut.

■ Checking Fuel Line**CAUTION**

To avoid personal injury:

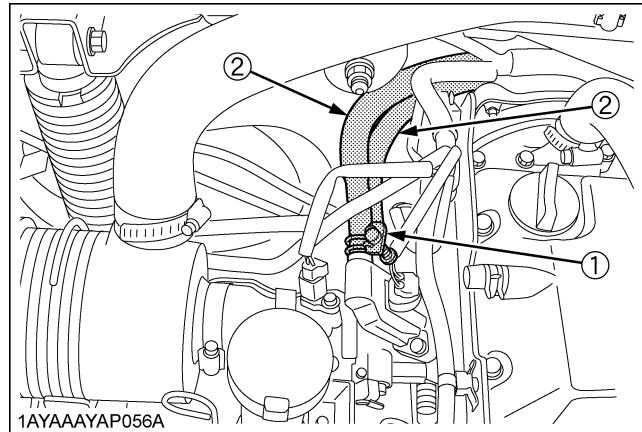
- Be sure to stop the engine and remove the key when attempting to make the following checks and changes.
- Never fail to check the fuel lines periodically. The fuel lines are subject to wear and aging. Fuel may leak out onto the running engine, causing a fire.

The fuel line connections should be checked annually or every 100 service hours, whichever comes first.

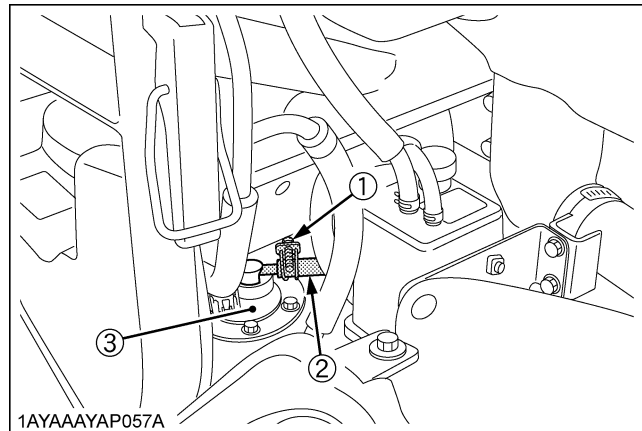
1. Park the vehicle on a flat surface and raise the cargo bed.
2. The fuel line is made of rubber and ages regardless of service period.
3. If the fuel line and clamps are found to be damaged or deteriorated, replace them.

IMPORTANT :

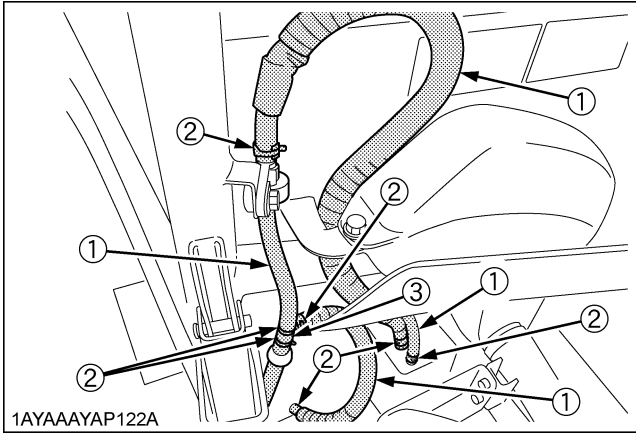
- When the fuel line is disconnected for maintenance or repair, close both ends of the fuel line with a piece of clean cloth or paper to prevent dust and dirt from entering. In addition, particular care must be taken not to admit dust and dirt into the fuel pump. Entrance of even a small amount of dust or dirt cause premature wear and malfunction of the fuel pump and injector components.



- (1) Hose clamp
(2) Fuel line



- (1) Hose clamp
(2) Fuel line
(3) Fuel pump with filter



(1) Fuel line
 (2) Hose clamp
 (3) 3 way connector

■ Checking Carbon Canister Air Filter

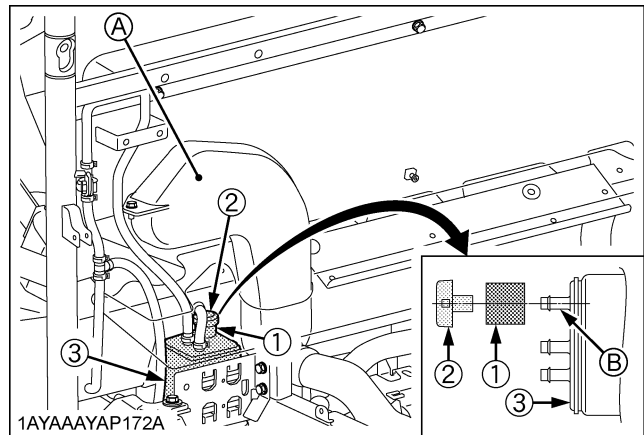
Check the carbon canister air filter every 100 hours of operation. (more often under extremely dusty or dirty conditions.)

⚠ CAUTION

To avoid personal injury:

- Stop the engine, set the parking brake and remove the key.

1. Raise the cargo bed, and push the safety support into the latch slot to lock.
2. Remove the cover and remove the carbon canister air filter.



(1) Canister air filter
 (2) Cover
 (3) Carbon canister
 (A) Intake air duct
 (B) Air port

3. Check to see if the carbon canister air filter is worn out, damaged or dirty.
4. If the air filter is dirty, wash the air filter in warm water with detergent. Then rinse the air filter thoroughly until all traces of detergent are eliminated. Squeeze out excess water. (do not wring.) Allow the air filter to air dry. Do not use high pressure air to clean filter.
5. If the air filter is worn out, damaged or too dirty to wash clean, replace it with a new one.
6. Reinstall the carbon canister air filter and secure it with the cover.

NOTE :

- Operating in dusty condition may require more frequent maintenance than above.

■ **Checking Battery Condition**



DANGER

To avoid the possibility of battery explosion:
For the refillable type battery, follow the instructions below.

- Do not use or charge the refillable type battery if the fluid level is below the LOWER (lower limit level) mark. Otherwise, the battery component parts may prematurely deteriorate, which may shorten the battery's service life or cause an explosion. Check the fluid level regularly and add distilled water as required so that the fluid level is between the UPPER and LOWER levels.



WARNING

To avoid serious injury:

- Never remove the vent caps while the engine is running.
- Keep electrolyte away from eyes, hands and clothes. If you are splattered with it, wash it away completely with water immediately and get medical attention.
- Wear eye protection and rubber gloves when working around the battery.

The factory-installed battery is non-refillable type. If the battery is weak, charge the battery or replace it with new one.

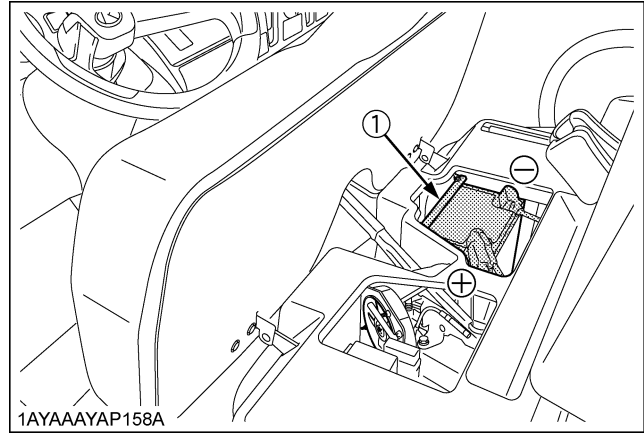
◆ **Battery Charging**



WARNING

To avoid serious injury:

- When the battery is being activated, hydrogen and oxygen gases in the battery are extremely explosive. Keep open sparks and flames away from the battery at all times, especially when charging the battery.
- When disconnecting the cable from the battery, start with the negative terminal first. When connecting the cable to the battery, start with the positive terminal first.
- Never check battery charge by placing a metal object across the posts. Use a voltmeter or hydrometer.



(1) Battery

1. To slow charge the battery, connect the battery positive terminal to the charger positive terminal and the negative to the negative, then recharge in the standard fashion.
2. A boost charge is only for emergencies. It will partially charge the battery at a high rate and in a short time. When using a boost-charged battery, it is necessary to recharge the battery as early as possible. Failure to do this will shorten the battery's service life.
3. When exchanging an old battery for a new one, use battery of equal specification shown in table below.

Battery TYPE	Volts (V)	Capacity at 20 hrs (A.H.)	Reserve Capacity (min)	Cold Cranking Amps
426 MF	12	32	55	450

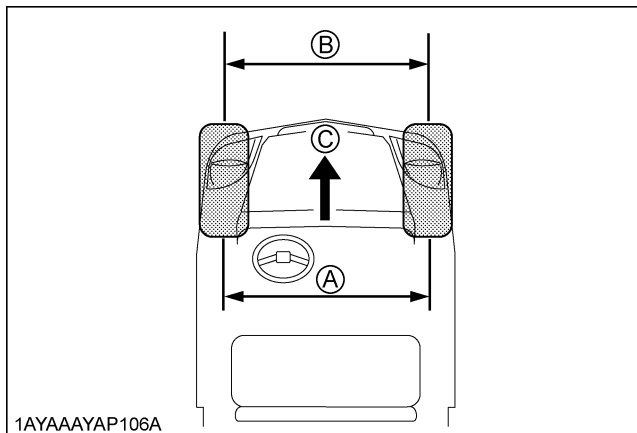
◆ **Direction for Storage**

1. When storing the vehicle for a long period, remove the battery from vehicle, adjust the electrolyte to the proper level (refillable type only) and store in a dry place out of direct sunlight.
2. The battery self-discharges while it is stored. Recharge it once every 3 months in hot seasons and once every 6 months in cold seasons.

■ Adjusting Toe-in

Proper toe-in	0 to 20 mm
---------------	------------

1. Park vehicle on a flat place.
2. Turn steering wheel so front wheels are in the straight ahead position.
3. Lock the park brake and stop the engine.
4. Measure distance between tire beads at front of tire, at hub height.
5. Measure distance between tire beads at rear of tire, at hub height.
6. Front distance should be shorter than rear distance. If not, adjust tie rod length.



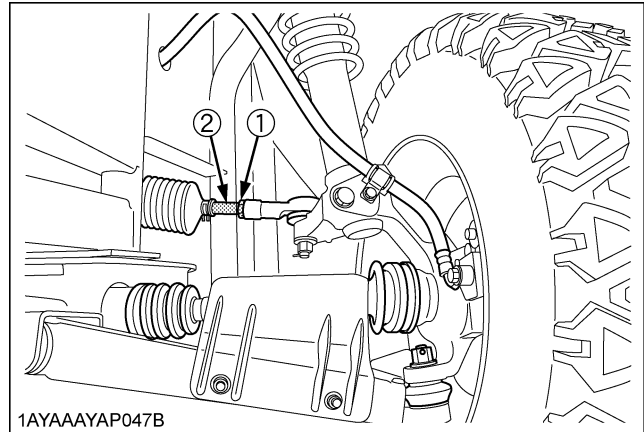
- (A) Wheel - to - wheel distance at rear
 (B) Wheel - to - wheel distance at front
 (C) "FRONT"

◆ Adjusting procedures

1. Loosen the lock nut and turn the tie rod to adjust the rod length until the proper toe-in measurement is obtained.
2. Retighten the lock nut.

NOTE :

- Tightening torque:
 74.0 to 84.0 N-m
 (7.6 to 8.5 kgf-m)



- (1) Lock nuts
 (2) Tie-rod

IMPORTANT :

- Keep the length of the left and right tie-rod equal.

■ **Cleaning Spark Arrester**



CAUTION
To avoid personal injury:

- After operating the engine, do not touch the muffler, exhaust pipe, or spark arrester until they have had sufficient time to cool.

This screen type spark arrester was examined, tested, and qualified in accordance with the USDA Forest Service Standard 5100-1c.

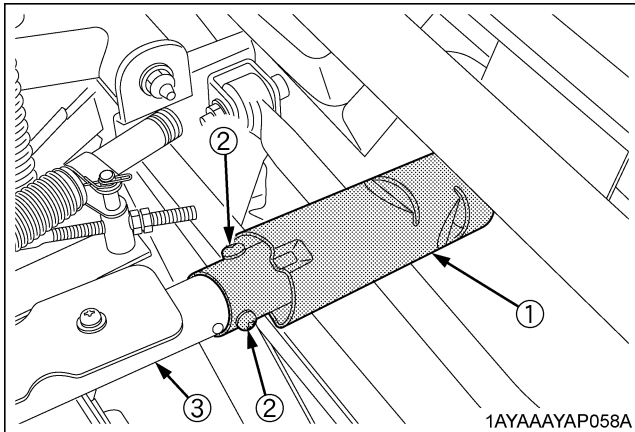
◆ **Maintenance and cleanout procedure**

The screen type spark arrester should be removed, cleaned, and inspected after every 100 hours of use.

1. The spark arrester is located inside the end of the exhaust pipe, and is fastened with 2 bolts.
2. Unfasten the bolt and remove the spark arrester.
3. Shake loosened particles out of the screen assembly and lightly clean the screen with a wire brush. Soak in solvent and again clean with wire brush if necessary.
4. If any breaks in the screen or weldments are discovered, the assembly must be replaced.
5. Return the spark arrester to the exhaust outlet, align the bolt holes and refasten the bolt.

IMPORTANT :

- USDA approval requires clearance between spark arrester sleeve and exhaust pipe to be no larger than 0.584 mm.



- (1) Spark arrester
- (2) Bolt
- (3) Muffler

EVERY 200 HOURS

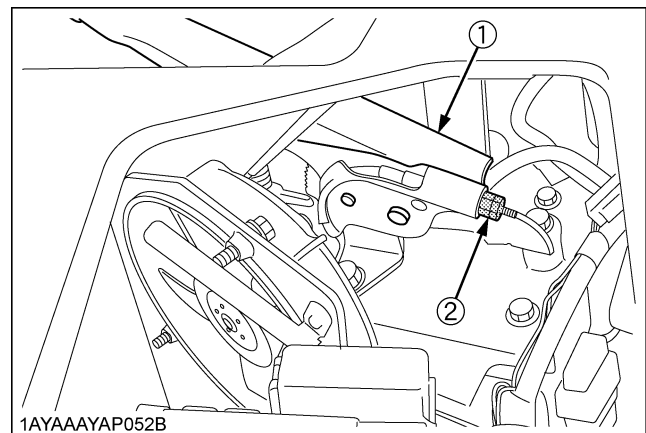
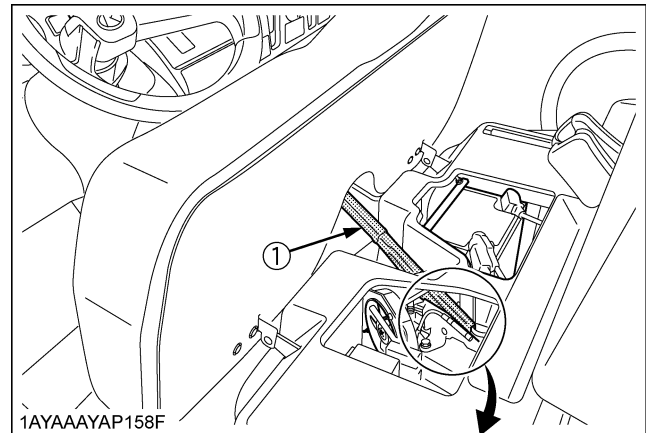
■ **Adjusting Parking Brake Lever**

The parking brake should be adjusted when the parking brake lever reaches 8 to 12 notches and will not hold the vehicle in place.

Consult your local KUBOTA dealer.

◆ **Adjusting procedure**

1. Park the vehicle on a firm, flat and level surface, and shut off the engine and remove the key.
2. Release the parking brake.
3. Loosen the lock nut, and adjust the cable wire length.
4. Pull the parking brake lever 1 notch, and make sure the vehicle does not roll easily by hand.
5. Release the parking brake, and make sure the vehicle rolls easily by hand.
6. Tighten the lock nut.



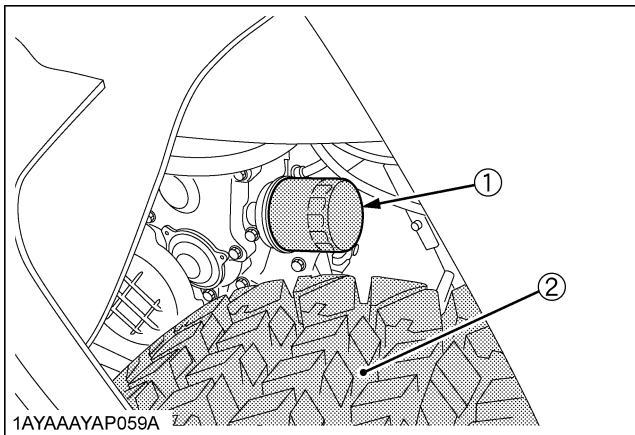
- (1) Parking brake lever
- (2) Lock nut

■ Replacing Engine Oil Filter

CAUTION

- To avoid personal injury:
- Be sure to stop the engine before changing the oil filter cartridge.
 - Allow engine to cool down sufficiently, oil can be hot and can burn.

1. Park the vehicle on a flat surface and raise the cargo bed. Shut off the engine and remove the key.
2. Remove the oil filter.
3. Put a film of clean engine oil on the rubber seal of the new filter.
4. Tighten the filter quickly until it contacts the mounting surface.
Tighten filter by hand an additional 1/2 turn only.
5. After the new filter has been replaced, the engine oil normally decreases a little. Make sure that the engine oil does not leak through the seal and be sure to check the oil level on the dipstick. Then, replenish the engine oil up to the prescribed level.



(1) Engine oil filter
(2) Left rear tire

IMPORTANT :

- To prevent serious damage to the engine, use only a KUBOTA genuine filter.

■ Changing Engine Oil

CAUTION

- To avoid personal injury:
- Be sure to stop the engine before changing the oil.
 - Allow engine to cool down sufficiently, oil can be hot and can burn.

IMPORTANT :

- To Avoid Damage! Vehicles subjected to extreme operations and/or conditions must be inspected and serviced more frequently.

Extreme Conditions:

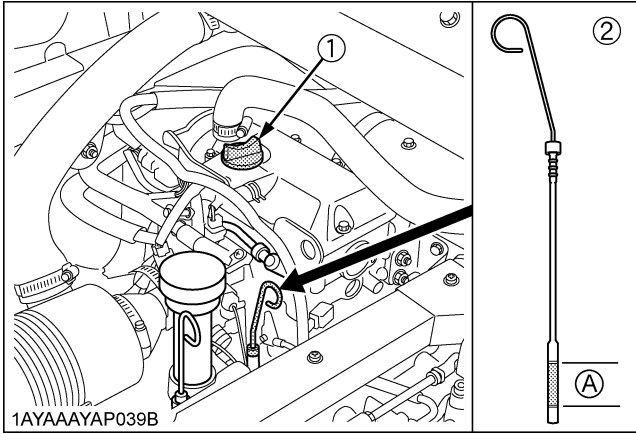
1. Frequent or prolonged operations in dusty environments
2. Prolonged low speed operations
3. Extended idle time
4. Frequent short trips which do not let the engine warm up (especially in cold weather)

NOTE :

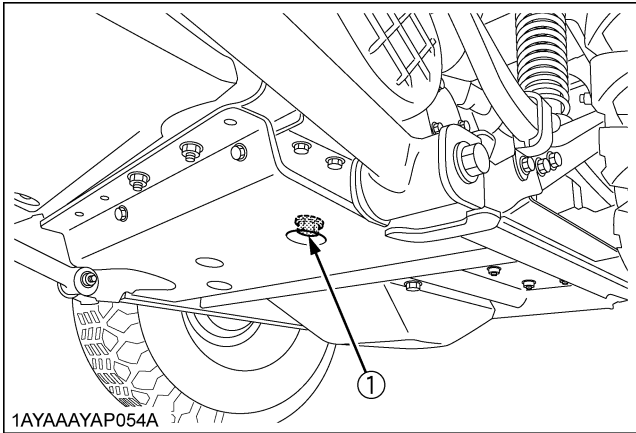
- Pay special attention to the engine oil level. A rise in oil level can be an indication of contaminates and/or associated with frequent use where the engine does not reach operating temperature. Monitor the oil level during such operations. Change the oil immediately if the oil level begins to rise.

1. Park the vehicle on a flat surface and raise the cargo bed. Shut off the engine and remove the key.
2. To drain the used oil, remove the drain plug at the bottom of the engine and completely drain the oil into an oil pan.
All the used oil can be drained out easily when the engine is still warm.
3. After draining, reinstall the drain plug.
4. Fill with the new oil up to the upper notch on the dipstick.
(See "LUBRICANTS, FUEL AND COOLANT" in "MAINTENANCE" section.)

Oil capacity	[Filter exchanged]
	1.35 L
	[Filter non-exchanged]
	1.2 L



(1) Oil inlet (A) Oil level is acceptable within this range
(2) Dipstick



(1) Drain plug

■ Cleaning Radiator Cooling Fins

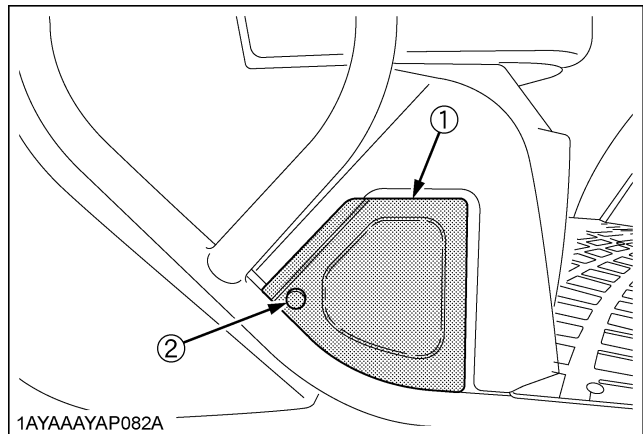


CAUTION

To avoid personal injury:

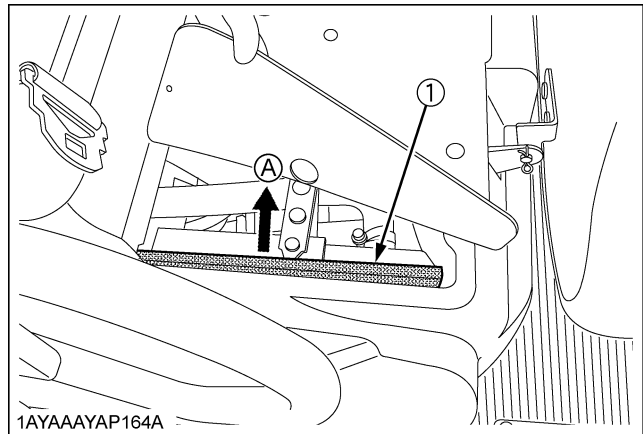
- Compressed air can cause debris to fly a long distance.
- Clear work area of bystanders.
- Wear eye protection when using compressed air for cleaning purposes.
- Reduce compressed air pressure to 210 kPa (2.1 kgf/cm²).

1. Park the vehicle on a flat surface and raise the seat.
2. Remove the radiator maintenance cover.



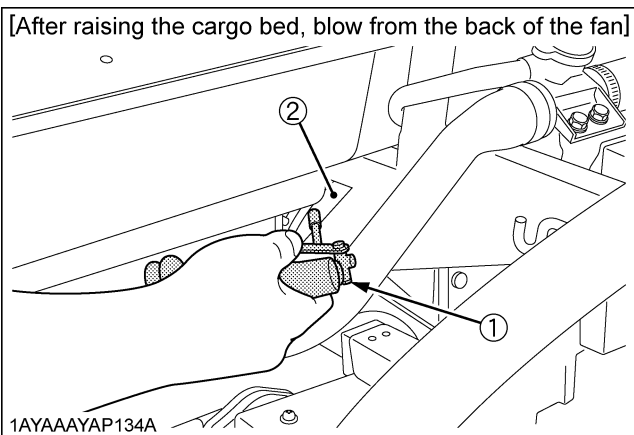
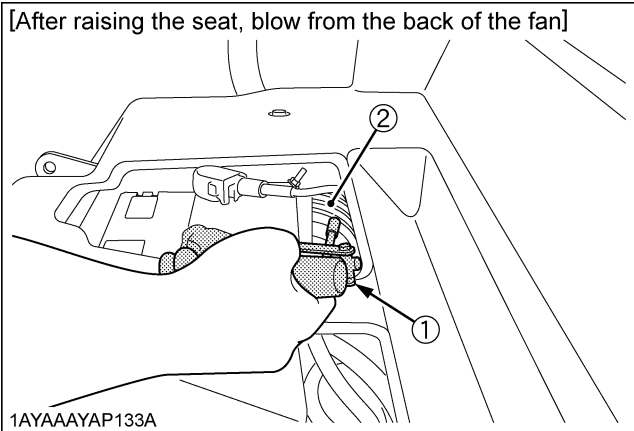
(1) Radiator maintenance cover
(2) Knob bolt

3. Detach the radiator screen.



(1) Radiator screen (A) "DETACH"

- Remove all dirt and debris from radiator fins and fan shroud using compressed air or water. Flow of compressed air or water should be from the back to the front as shown in the figures.



- (1) Air blow
- (2) Fan

- Reinstall the radiator screen and the maintenance cover.

■ Replacing Transmission Oil Filter

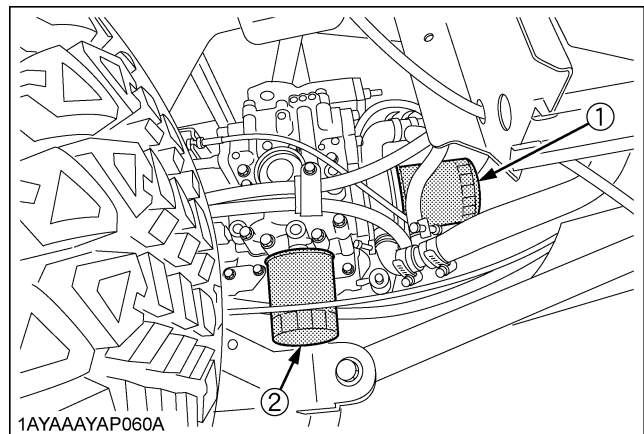


CAUTION

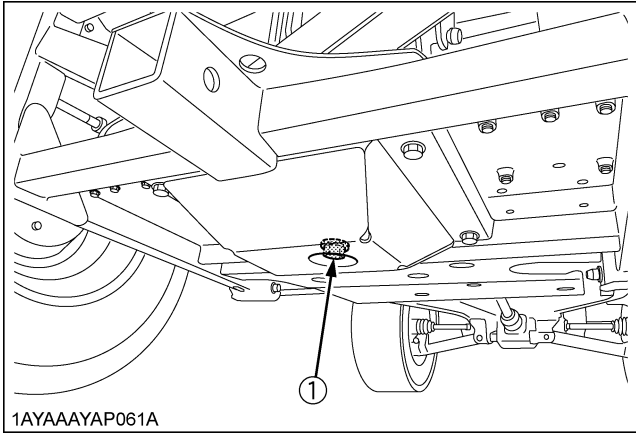
To avoid personal injury:

- Be sure to stop the engine before changing the oil filter cartridge.
- Allow engine to cool down sufficiently, oil can be hot and can burn.

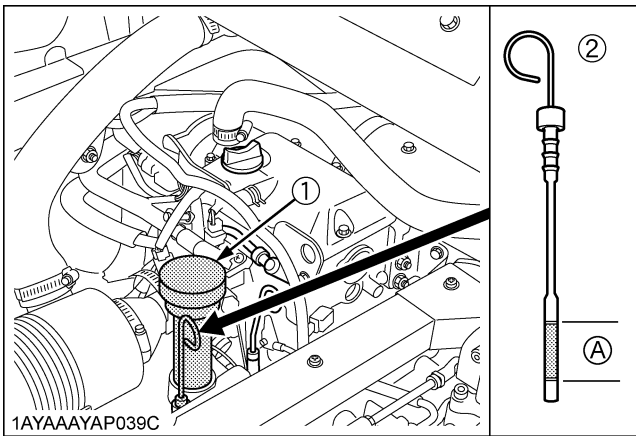
- Remove the drain plug at the bottom of the transmission case and drain the oil completely into the oil pan.
- Check the rubber washer on the drain plug. Replace it if missing or in poor condition.
- After draining, reinstall the drain plug.
- Remove the oil filters.
- Put a film of clean transmission oil on the rubber seal of the new filter.
- Quickly tighten the filter until it contacts the mounting surface, then, with a filter wrench, tighten it an additional 2/3 turn only.
- After the new filter has been replaced, fill the transmission oil up to the upper notch on the dipstick.
- After running the engine for a few minutes, stop the engine and check the oil level again, add oil to the prescribed level.
- Make sure that the transmission fluid doesn't leak past the seal on the filters.



- (1) Transmission oil filter (HST) (Yellow color)
- (2) Transmission oil filter (Suction) (Orange color)



(1) Drain plug



(1) Oil inlet (A) Oil level is acceptable within this range
(2) Dipstick

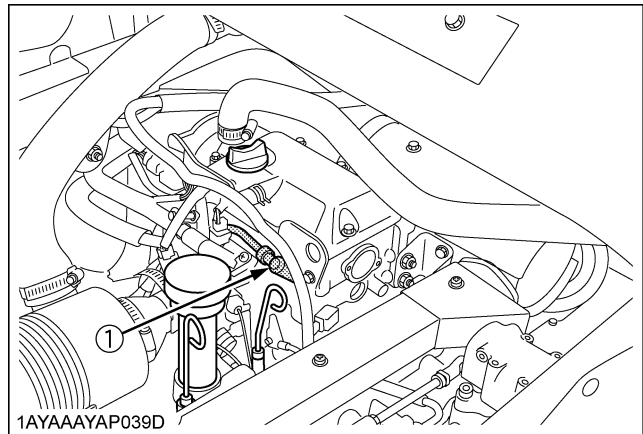
IMPORTANT :

- To prevent serious damage to the transmission, use only a KUBOTA genuine filter.

Checking Spark Plug Condition & Gap

Remove the spark plugs, check condition, and reset the gap or replace with new plugs as necessary.

1. Raise the cargo bed.
2. Before removing spark plugs, clean the area around the base of the plug to keep dirt and debris out of the engine.
3. Remove the spark plug wires from spark plugs.
4. Use a spark plug wrench to remove the spark plugs.
5. Remove plugs and check its condition.
Replace the plug if worn or reuse is questionable.
6. Inspect spark plugs for cracked porcelain, pitted electrodes, or other wear and damage. Replace the spark plug if necessary.



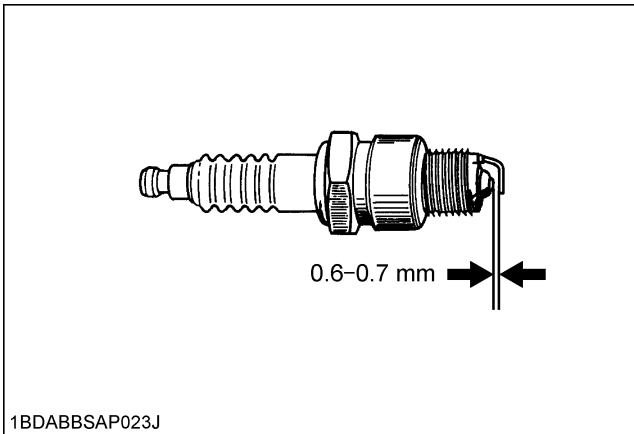
(1) Spark plug

NOTE :

- Do not clean the spark plug in a machine using abrasive grit. Some grit could remain in the spark plug and enter the engine causing extensive wear and damage.

Recommended spark plug	NGK BKR4E
------------------------	-----------

7. Check the gap using a wire feeler gauge. Adjust the gap from 0.6 to 0.7 mm by carefully bending the ground electrode.



8. Reinstall the spark plug into the cylinder head.

Tightening torque	25 to 30 N-m
-------------------	--------------

■ Checking Brake Pedal



CAUTION

To avoid personal injury:

- Stop the engine and chock the wheels before checking brake pedal.
- If movement is outside of the specifications, contact your local KUBOTA Dealer for adjusting the brake.

◆ Checking the brake pedal free travel

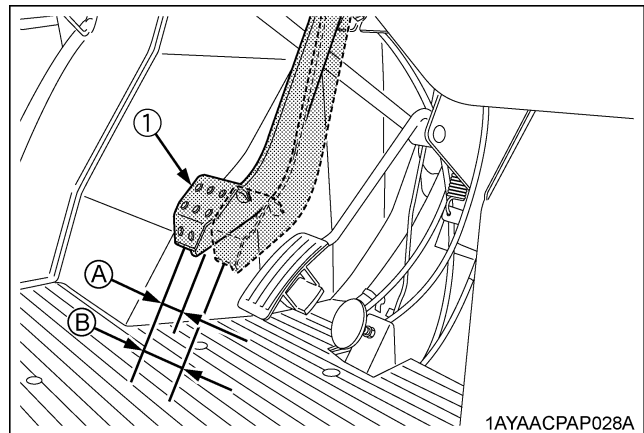
Proper brake pedal free travel	7 to 14 mm on the pedal
--------------------------------	-------------------------

1. Release the parking brake.
2. Slightly depress the brake pedal and measure free travel at the top of the pedal stroke.
3. If brake pedal free travel is outside of the specifications, contact your local KUBOTA Dealer for adjusting the brake.

◆ Checking the brake pedal stroke

Pedal stroke	Less than 65 mm on the pedal
--------------	------------------------------

1. Release the parking brake.
2. Step on the pedal and measure the pedal stroke.
3. If brake pedal stroke is outside of the specifications, contact your local KUBOTA Dealer for adjusting the brake.



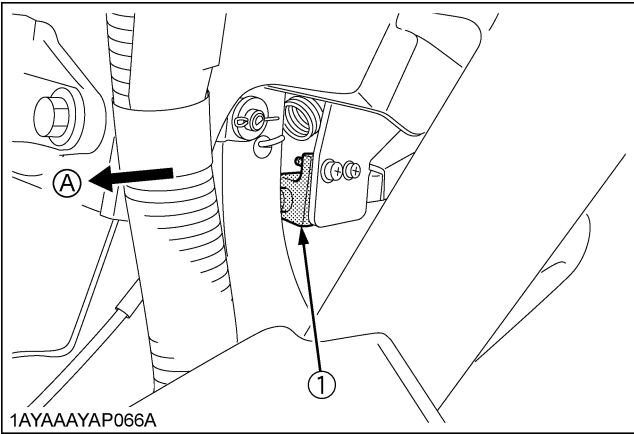
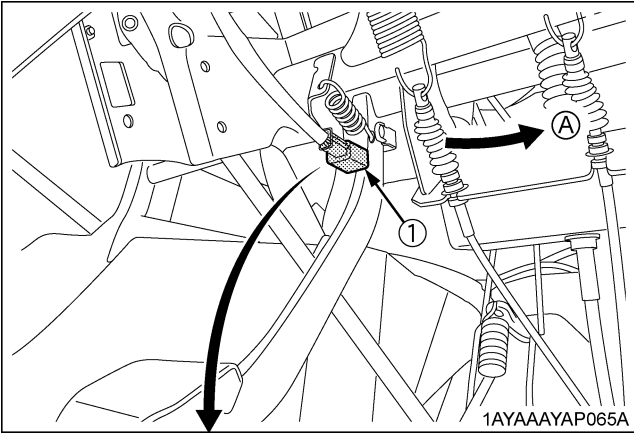
(1) Brake pedal

(A) "FREE TRAVEL"

(B) "PEDAL STROKE"

■ Checking Brake Light Switch

1. Park the vehicle on a flat surface.
2. Step on the brake pedal to check if the brake light comes on.
3. If it does not, check the bulb or brake light switch.



(1) Brake light switch

(A) "FRONT"

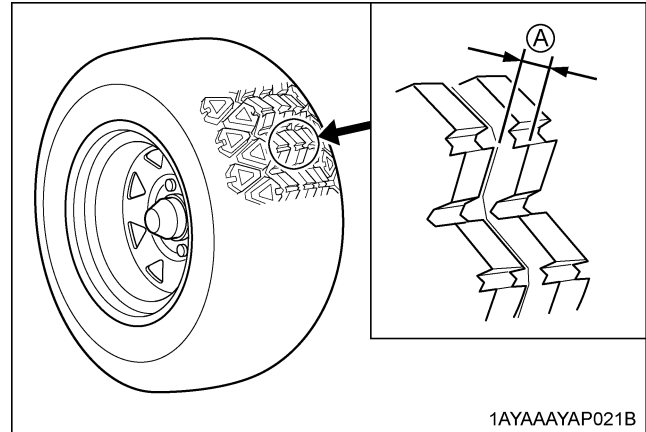
EVERY 300 HOURS

■ Checking Tire

1. Check to see if tires are not damaged.
2. If the tires are cracked, bulged, or cut, or they are worn out, replace or repair them at once.

◆ Tire Tread Depth

Always replace the tires when the tread depth is worn to minimum allowable.



(A) 3 mm

EVERY 400 HOURS

■ Changing Transmission Oil

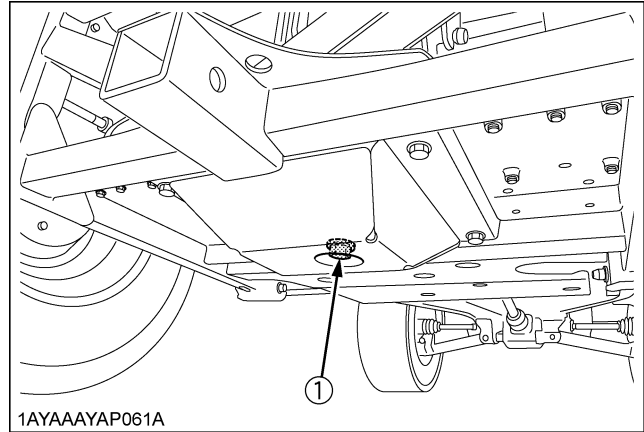


CAUTION

To avoid personal injury:

- Allow engine to cool down sufficiently, oil can be hot and can burn.

1. Park the vehicle on a flat surface and raise the cargo bed. Shut off the engine and remove the key.
2. To drain the used oil, remove the drain plug at the bottom of the transmission case and drain the oil completely into the oil pan.
3. Check the rubber washer on the drain plug. Replace it if missing or in poor condition.
4. After draining, reinstall the drain plug.
5. Fill with the new KUBOTA SUPER UDT fluid up to the upper notch on the dipstick.
(See "LUBRICANTS, FUEL AND COOLANT" in "MAINTENANCE" section.)
6. After running the engine for a few minutes, stop the engine and check the oil level again; add oil to prescribed level.

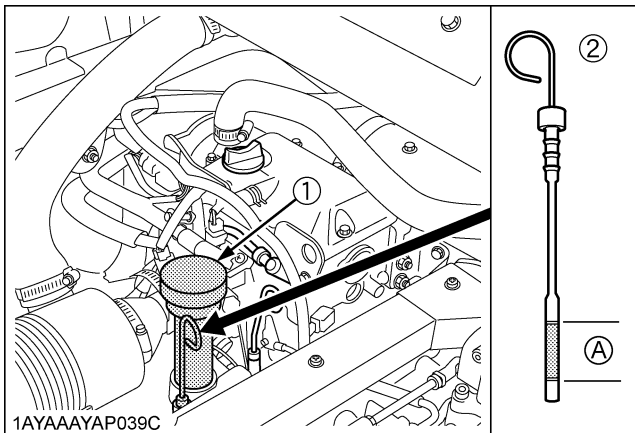


(1) Drain plug

IMPORTANT :

- Do not operate the vehicle immediately after changing the transmission fluid.
Run the engine at medium speed for a few minutes to prevent damage to the transmission.

Oil Capacity	8.5 L
--------------	-------



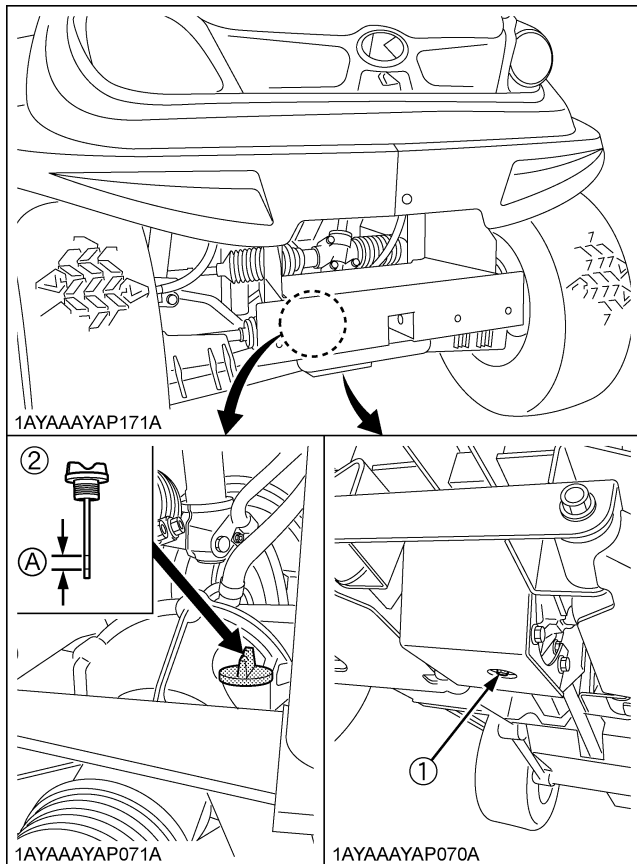
(1) Oil inlet
(2) Dipstick

(A) Oil level is acceptable within this range

■ Changing Front Axle Case Oil

1. Park the vehicle on a firm, flat and level surface.
2. To drain the used oil, remove the drain and filling plugs at the front axle case and drain the oil completely into the oil pan.
3. After draining, reinstall the drain plug.
4. Fill with the new oil up to the upper notch on the dipstick.
(See "LUBRICANTS, FUEL AND COOLANT" in "MAINTENANCE" section.)
5. After filling, reinstall the filling plug.

Oil capacity	0.21 L
--------------	--------



(1) Drain plug
(2) Filling plug with dipstick

(A) Oil level is acceptable within this range

EVERY 500 HOURS

■ Adjusting Engine Valve Clearance

If you do not have the proper tools and/or are not mechanically proficient, consult your local KUBOTA Dealer for this service.

■ Checking Engine Timing Belt

If you do not have the proper tools and/or are not mechanically proficient, consult your local KUBOTA Dealer for this service.

EVERY 1000 HOURS

■ Replacing Engine Timing Belt

If you do not have the proper tools and/or are not mechanically proficient, consult your local KUBOTA Dealer for this service.

EVERY AFTER 1000 HOURS

■ Cleaning Engine Combustion Chamber

If you do not have the proper tools and/or are not mechanically proficient, consult your local KUBOTA Dealer for this service.

EVERY 1000 HOURS or EVERY 1 YEAR

■ Replacing Air Cleaner Primary Element and Secondary Element

(See "Cleaning Air Cleaner Primary Element" in "EVERY 100 HOURS" in "PERIODIC SERVICE" section.)

■ Replacing Pre Cleaner Element

(See "Cleaning Pre Cleaner Element" in "EVERY 100 HOURS" in "PERIODIC SERVICE" section.)

EVERY 2000 HOURS or EVERY 2 YEARS

Be sure to do the following service once every 2000 hours or every 2 years whichever comes faster.

Flushing Cooling System and Changing Coolant



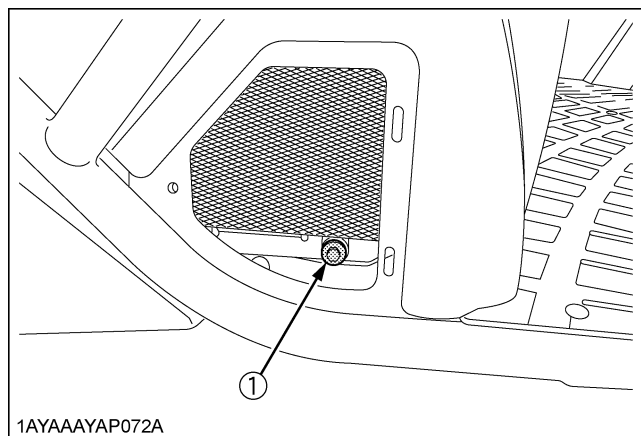
CAUTION

To avoid personal injury:

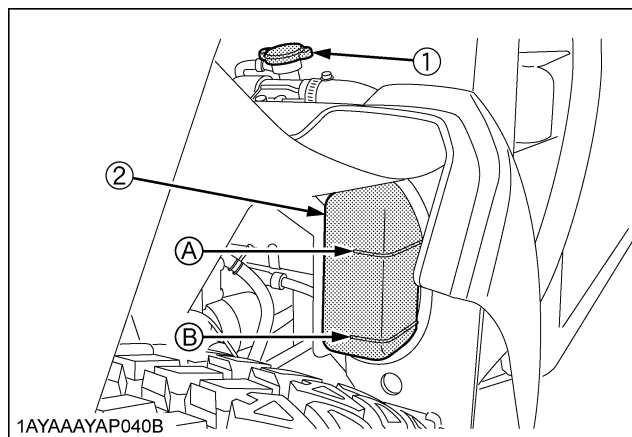
- Do not remove the radiator cap while coolant is hot. When cool, slowly rotate cap to the first stop and allow sufficient time for excess pressure to escape before removing the cap completely.

- Stop the engine and let cool down.
- Remove the radiator maintenance cover.
- To drain the coolant, open the radiator drain plug and remove radiator cap. The radiator cap must be removed to completely drain the coolant.
- After all coolant is drained, close the drain plug.
- Fill with clean water and cooling system cleaner.
- Follow directions of the cleaner instruction.
- After flushing, fill with clean water and anti-freeze until the coolant level is just below the radiator cap. Install the radiator cap securely.
- Fill with fresh water up to the "FULL" mark on the recovery tank.
- Start and operate the engine for few minutes.
- Stop the engine and let cool.
- Check coolant level of recovery tank and add coolant if necessary.

Coolant capacity	1.8 L
------------------	-------



(1) Drain plug



(1) Radiator cap
(2) Recovery tank

(A) "FULL"
(B) "LOW"

IMPORTANT :

- Do not start engine without coolant.
- Use clean, distilled water and anti-freeze to fill the radiator and recovery tank.
- When mixing the anti-freeze with water, the anti-freeze mixing ratio is 50%.
- Securely tighten radiator cap. If the cap is loose or improperly fitted, water may leak out and the engine could overheat.

Anti-Freeze



CAUTION

To avoid personal injury:

- When using anti-freeze, put on some protection such as rubber gloves. (Anti-freeze contains poison.)
- If it is swallowed, seek immediate medical help. Do NOT make a person throw up unless told to do so by poison control or a health care professional. Use standard first aid and CPR for signs of shock or cardiac arrest. Call your local Poison Control Center or your local emergency number for further assistance.
- When anti-freeze comes in contact with the skin or clothing, wash it off immediately.
- Do not mix different types of Anti-freeze. The mixture can produce chemical reaction causing harmful substances.
- Anti-freeze is extremely flammable and explosive under certain conditions. Keep fire and children away from anti-freeze.
- When draining fluids from the engine, place some container underneath the engine body.
- Do not pour waste onto the grounds, down a drain, or into any water source.
- Also, observe the relevant environmental protection regulations when disposing of anti-freeze.

Always use a 50/50 mix of long-life coolant and clean soft water in KUBOTA engines.

Consult your local KUBOTA dealer concerning coolant for extreme conditions.

1. Long-life coolant (hereafter LLC) comes in several types. Use ethylene glycol (EG) type for this engine.
2. Before employing LLC-mixed cooling water, fill the radiator with fresh water and empty it again.
Repeat this procedure 2 or 3 times to clean up the inside.
3. Mixing the LLC
Premix 50% LLC with 50% clean soft water. When mixing, stir it up well, and then fill into the radiator.
4. The procedure for the mixing of water and anti-freeze differs according to the make of the anti-freeze and the ambient temperature. Refer to SAE J1034 standard, more specifically also to SAE J814c.

IMPORTANT :

- When mixing the anti-freeze with water, the anti-freeze mixing ratio is 50%.

Vol % Anti-freeze	Freezing Point °C	Boiling Point* °C
50	-37	108

* At 1.013×10^5 Pa (760 mmHg) pressure (atmospheric).

A higher boiling point is obtained by using a radiator pressure cap which permits the development of pressure within the cooling system.

5. Adding the LLC
 - (1) Add only water if the coolant level reduces in the cooling system by evaporation.
 - (2) If there is a mixture leak, add the LLC of the same manufacturer and type in the mixing ratio 50%.

* Never add any long-life coolant of different manufacturer. (Different brands may have different additive components, and the engine may fail to perform as specified.)

6. When the LLC is mixed, do not employ any radiator cleaning agent. The LLC contains anti-corrosive agent. If mixed with the cleaning agent, sludge may build up, adversely affecting the engine parts.
7. Kubota's genuine long-life coolant has a service life of 2 years. Be sure to change the coolant every 2000 hours or every 2 years whichever comes faster.

NOTE :

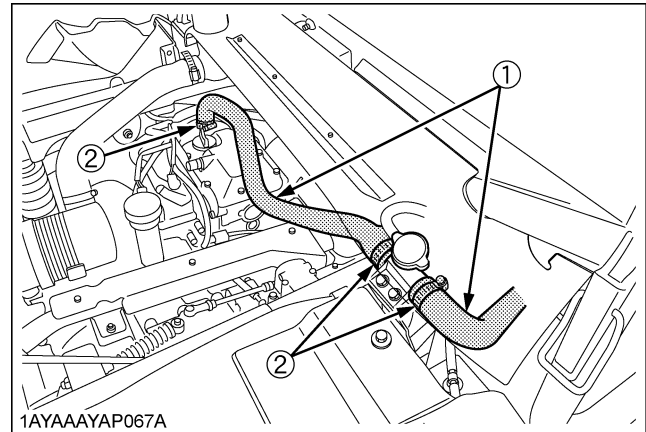
- The above data represent industry standards that necessitate a minimum glycol content in the concentrated anti-freeze.

EVERY 1 YEAR

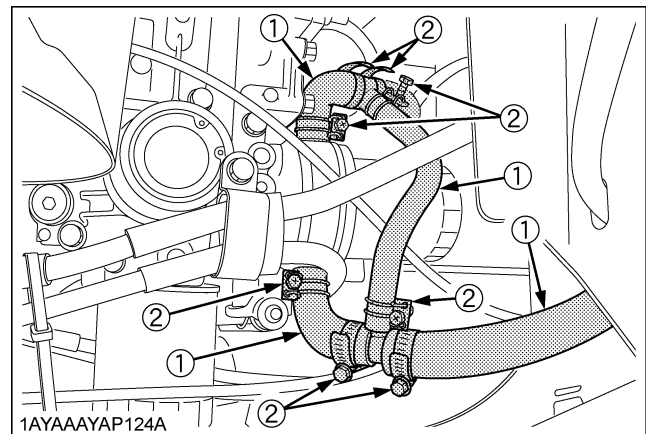
■ Checking Radiator Hose and Clamp

Park the vehicle on a flat surface and raise the cargo bed. Check to see if radiator hoses are properly fixed.

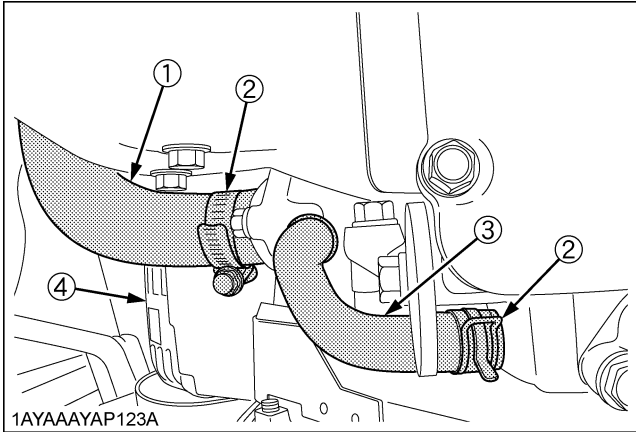
1. If hose clamps are loose or water leaks, tighten bands securely.
 2. Replace hoses and tighten hose clamps securely, if radiator hoses are swollen, hardened or cracked.
- Replace hoses and hose clamps if you checked and found that hoses are swollen, hardened or cracked.



(1) Radiator hoses
(2) Clamp bands



(1) Radiator hoses
(2) Clamp bands



- (1) Radiator hose
- (2) Clamp bands
- (3) Water return hose
- (4) Alternator

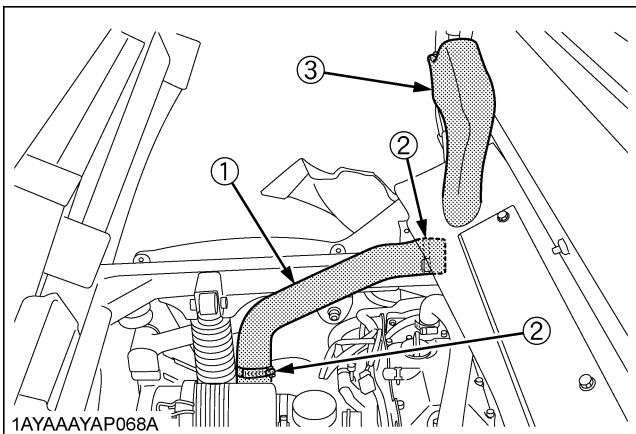
◆ Precaution at Overheating

Take the following actions in the event the coolant temperature is close to or more than the boiling point, which is called "Overheating".

1. Stop the vehicle operation in a safe place and keep the engine unloaded idling.
2. Don't stop the engine suddenly, but stop it after about 5 minutes of unloaded idling.
3. Keep yourself well away from the vehicle for at least 10 minutes or while the steam is blowing out.
4. Check to see if there is no danger such as burning, get rid of the causes of overheating according to the "TROUBLESHOOTING" section of this manual, and then start the engine again.

■ Checking Intake Air Line

1. Check to see if the hoses and hose clamps are tight and not damaged.
2. If hoses and clamps are found to be worn or damaged, replace or repair them at once.



- (1) Hose
- (2) Hose clamp
- (3) Intake air line

■ Checking Engine Breather Hose



WARNING

To avoid serious injury:

- Be sure to stop the engine and remove the key before checking engine breather hose.

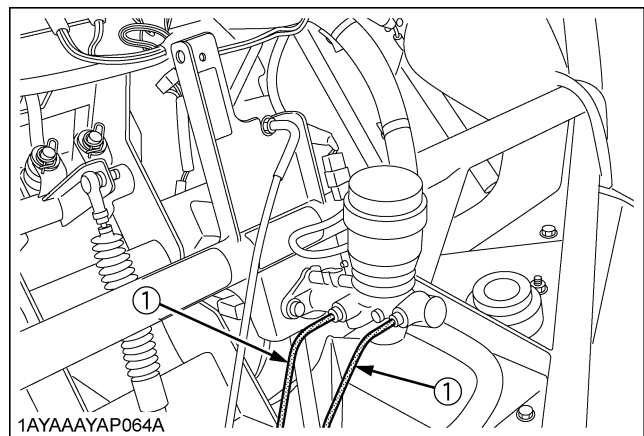
Check to see if engine breather hoses are properly fixed every 1 year.

1. Stop the engine and let cool down.
2. If hose clamps are loose or water leaks, tighten bands securely.
3. Replace hoses and tighten hose clamps securely, if engine breather hoses are swollen, hardened or cracked.

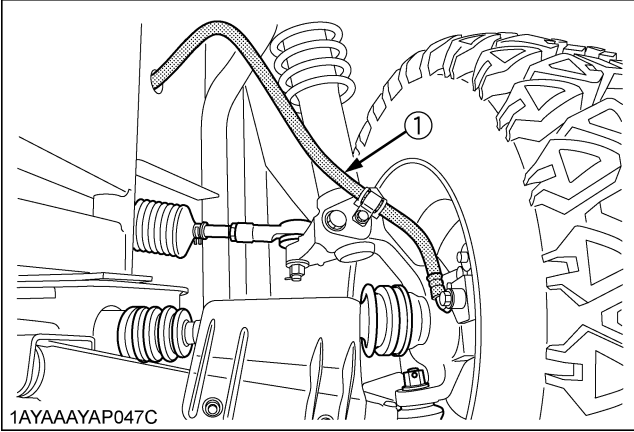
Replace hoses and hose clamps every 4 years or earlier if you checked and found that hoses are swollen, hardened or cracked.

■ Checking Brake Hose and Pipe

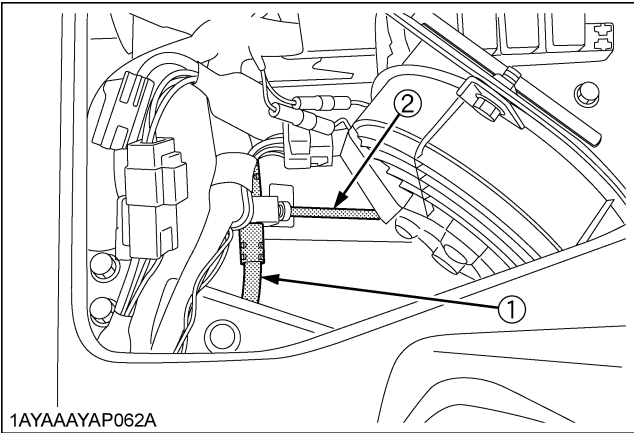
1. Check to see that brake hose and pipe are not swollen, hardened or cracked.
2. Check the brake hose and pipe joints for oil leaks.
3. If there is any abnormality, consult your local KUBOTA Dealer for this service.



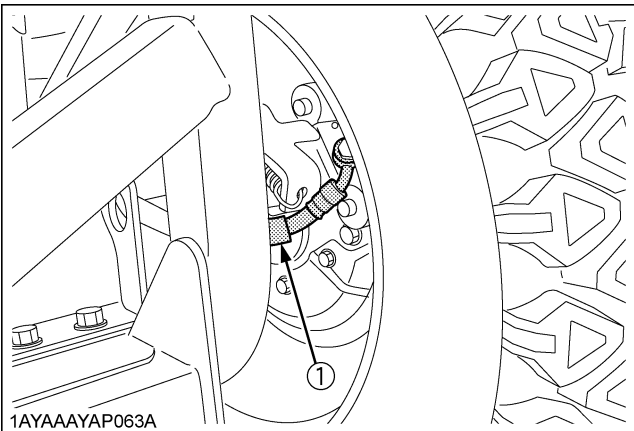
- (1) Brake pipe



(1) Brake hose (Front)



(1) Brake hose
(2) Brake pipe



(1) Brake hose (Rear)

EVERY 2 YEARS

■ Changing Brake Fluid

Consult your local KUBOTA Dealer for this service.
(See "Checking Brake Fluid Level" in "DAILY CHECK" in "PERIODIC SERVICE" section.)

■ Replacing Fuel Hose

Consult your local KUBOTA Dealer for this service.

EVERY 4 YEARS

■ Replacing Radiator Hose (Water pipes)

Replace the hoses and clamps.

(See "Checking Radiator Hose and Clamp" in "EVERY 1 YEAR" in "PERIODIC SERVICE" section.)

■ Replacing Engine Breather Hose

Consult your local KUBOTA Dealer for this service.

■ Replacing Brake Master Cylinder (Inner Parts)

Consult your local KUBOTA Dealer for this service.

■ Replacing Intake Air Line

Consult your local KUBOTA Dealer for this service.

■ Replacing Brake Hose

Consult your local KUBOTA Dealer for this service.

SERVICE AS REQUIRED

■ Checking Brake Pad

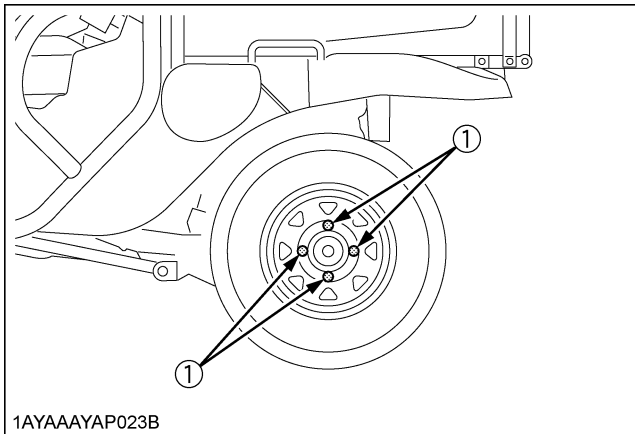


CAUTION

To avoid personal injury:

- The machine can fall or slip from an unsafe device or supports.
- Use a safe lifting device rated for the load to be lifted.
- Lower the vehicle onto jack stands and block the wheels before servicing. (See "JACK-UP POINT" in "PERIODIC SERVICE" section.)

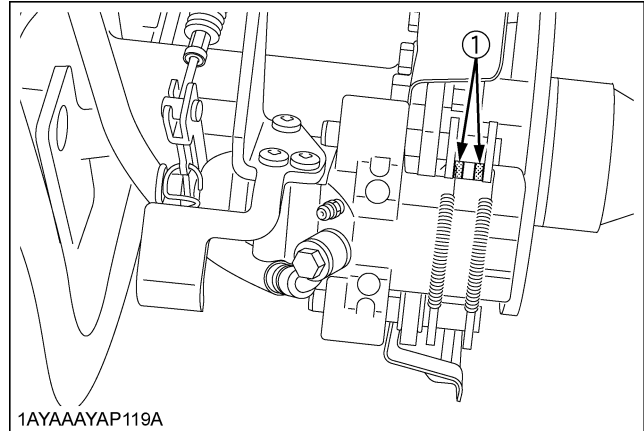
1. Park the vehicle on a firm, flat and level surface.
2. Raise the vehicle with a safe devise and lower onto the jack or other stable supports. Block the wheels remaining on the ground to prevent the vehicle from moving.
3. Remove the wheel bolts and the tires.



1AYAAAYAP023B

(1) Wheel bolts

4. Check the brake pads for wear or damage.
Check the pad's thickness:
Minimum thickness should be 1mm. If below this or pad material is damaged, contact your local Kubota Dealer.



1AYAAAYAP119A

(1) Brake pad

5. Reinstall the tires with the valve stem to the outside.
6. Tighten the wheel bolts evenly in alternating sequence until snug.
7. Repeat the same procedure for remaining 3 tires.
8. Lower the vehicle completely to the ground.
9. Tighten the wheel bolts from 108.4 to 121.9 N-m.

■ Adjusting Parking Brake

For proper adjusting of the parking brake, consult your local KUBOTA Dealer.

■ Adjusting Alternator Drive Belt Tension

For proper adjusting of the alternator drive belt, consult your local KUBOTA Dealer.

■ Replacing Fuse

The vehicle electrical system is protected from potential damage by fuses.

A blown fuse indicates that there is an overload or short somewhere in the electrical system.

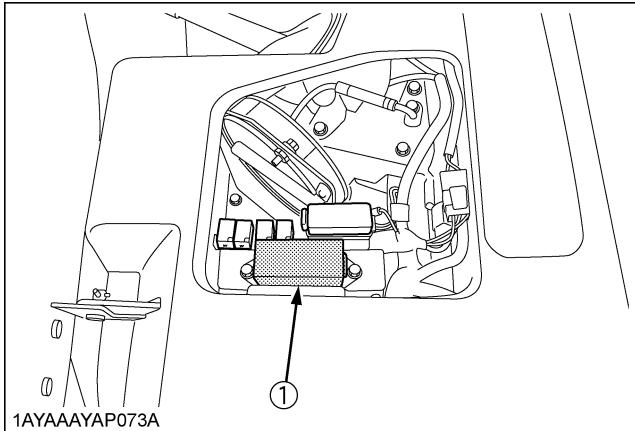
If any of the fuses should blow, replace with a new one of the same capacity.

IMPORTANT :

- Before replacing a blown fuse, determine why the fuse blew and make any necessary repairs. Failure to follow this procedure may result in serious damage to the vehicle electrical system. Consult your local KUBOTA Dealer for specific information dealing with electrical problems.

◆ Replacement procedure

1. Disconnect the negative cable of the battery.
2. Remove the cover and the fuse box cover.
3. Pull out the blown fuse using FUSE PULLER in the fuse box.
4. Insert a new fuse into the fuse box.
5. Install the fuse box cover.
6. Connect the negative battery cable.

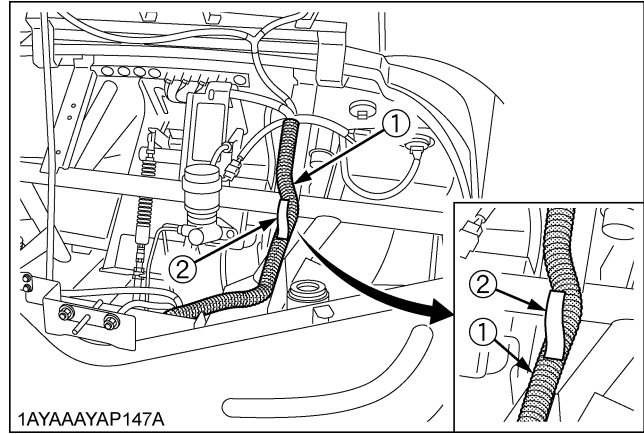


1AYAAAYAP073A

(1) Fuse box

◆ How to distinguish between the old and new type of the protected circuit

Fuse Label PART No.	K7311-6128-1	K7311-6121-1 or later
Harness PART No.	K7311-6120-4 or former	K7311-6120-5 or later
Protected circuit	OLD	NEW

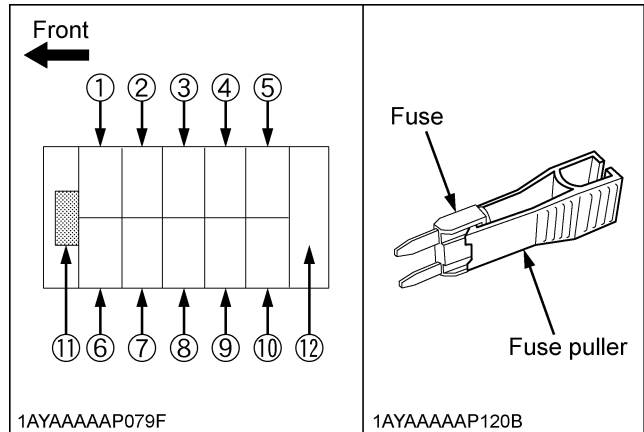


1AYAAAYAP147A

- (1) Main harness
- (2) Harness part number label

NOTE :

- Use the correct fuse label when replacing the fuse cover.



1AYAAAAAP079F

1AYAAAAAP120B

◆ Protected circuit

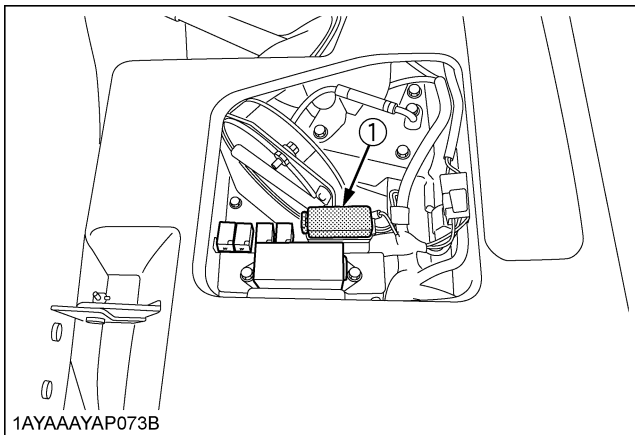
Fuse No.	Capacity (A)	Protected circuit (OLD)	Protected circuit (NEW)
1	15	Head lamp, Tail lamp, Panel	←
2	10	Eng. control, Fuel pump	Eng. control, Fuel pump, Fan motor relay
3	10	Cooling fan motor	←
4	20	Radiator Fan motor	←
5	15	(Hazard)	←
6	10	Alternator, Radiator fan relay, Cooling fan relay	Alternator, (Work light relay), (AUX (KEY ON))
7	5	Panel	←
8	10	12V DC output	←
9	15	Brake lamp, Horn	←
10	15	(Work light)	←
11	---	Fuse puller	←
12	5, 10, 15, 20	Spare	←

■ Replacing Slow-Blow Fuses

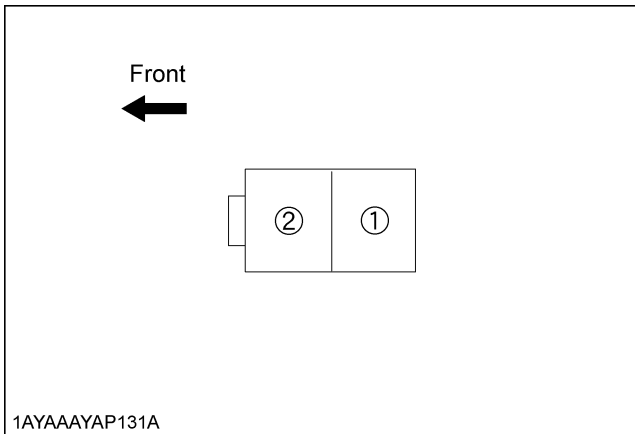
The slow-blow fuses are intended to protect the electrical cabling. If any of them have blown out, be sure to pinpoint the cause. Never use any substitute, use only a KUBOTA genuine part.

◆ Replacement procedure

1. Disconnect the negative cable of the battery.
2. Remove the cover and the slow-blow fuse box cover.
3. Pull out the slow-blow fuse.
4. Insert a new slow-blow fuse into the slow-blow fuse box.
5. Install the slow-blow fuse box cover.
6. Connect the negative battery cable.



(1) Slow-blow fuse box



◆ Protected circuit

Fuse No.	Capacity (A)	Protected circuit
1	Slow-blow fuse (50)	Key switch
2	Slow-blow fuse (60)	Alternator

■ Replacing Light Bulb

1. Head lights
Take the bulb out of the light body and replace it with a new one.
2. Other lights
Detach the lens and replace the bulb.

Light	Capacity
Head lights	27 W
Tail light	5 W
Brake light	21 W
Easy Checker(TM)	3.8 W (14V, 0.27A)
Instrument panel light	3.8 W (14V, 0.27A)

STORAGE



CAUTION

To avoid personal injury:

- Do not clean the vehicle with engine running.
- To avoid the danger of exhaust fume poisoning, do not operate the engine in a closed building without proper ventilation.
- When storing, remove the key from the key switch to avoid unauthorized persons from operating the vehicle and getting injured.

VEHICLE STORAGE

If you intend to store your vehicle for an extended period of time, follow the procedures outlined below.

These procedures will insure that the vehicle is ready to operate with minimum preparation when it is removed from storage.

1. Check the bolts and nuts for looseness, and tighten if necessary.
2. Apply grease to vehicle areas where bare metal will rust also to pivot areas.
3. Unload from cargo bed.
4. Inflate the tires to a pressure a little higher than usual.
5. Change the engine oil and run the engine to circulate oil throughout the engine block and internal moving parts for about 5 minutes.
6. With all implements lowered to the ground, coat any exposed hydraulic cylinder piston rods with grease (if equipped).
7. Remove the battery from the vehicle. Store the battery following the battery storage procedures.
(See "Checking Battery Condition" in "EVERY 100 HOURS" in "PERIODIC SERVICE" section.)
8. Keep the vehicle in a dry place where the vehicle is sheltered from the elements. Cover the vehicle.
9. Store the vehicle indoors in a dry area that is protected from sunlight and excessive heat. If the vehicle must be stored outdoors, cover it with a waterproof tarpaulin.
Put boards under the tires to keep dampness away from tire.
Keep the tires out of direct sunlight and extreme heat.

IMPORTANT :

- When washing the vehicle, be sure to stop the engine. Allow sufficient time for the engine to cool before washing.
- Do not wash with a high-pressure car-washing machine.
- Cover the vehicle after the muffler and the engine have cooled down.

REMOVING THE VEHICLE FROM STORAGE

1. Check the tire air pressure and inflate the tires if they are low.
2. Install the battery. Before installing the battery, be sure it is fully charged.
3. Check the fan belt tension.
4. Check all fluid levels (engine oil, transmission oil, engine coolant and any attached implements).
5. Check the spark plug gap. Install and tighten plugs to the specified torque.
6. Start the engine. Observe all gauges. If all gauges are functioning properly and reading normal, move the vehicle outside. Once outside, park the vehicle and let the engine idle for at least 5 minutes. Shut the engine off and walk around vehicle and make a visual inspection looking for evidence of oil or water leaks.
7. With the engine fully warmed up, release the parking brake and test the brakes for proper adjustment as you move forward. Adjust the brakes as necessary.

TROUBLESHOOTING

ENGINE TROUBLESHOOTING

If something is wrong with the engine, refer to the table below for the cause and its corrective measure.

Trouble	Cause	Countermeasure	
Engine is difficult to start or will not start.	● The range shift lever not in the proper position.	● Make sure the range shift lever is in "NEUTRAL" position.	
	● Key switch is not in the proper position.	● Make sure key switch is in "ON" position.	
	● No fuel.	● Replenish fuel.	
	● Improper or stale fuel. (Fuel quality is poor.)	● Replace fuel and consult your KUBOTA Dealer.	
	● Water or dirt in the fuel system.	● Replace fuel and consult your KUBOTA Dealer.	
	● Fuel hose or fuel filter clogged or damaged.	● Clean or replace fuel lines, and consult your KUBOTA Dealer.	
	● Air cleaner is clogged.	● Clean or replace the air cleaner element.	
	● Spark plug defective.	● Adjust the spark plug gap or replace the spark plug. ● Check the spark plug wire connection.	
	● Fuse is blown.	● Replace the fuse.	
	● Engine oil viscosity is wrong.	● Use oils of different viscosities, depending on ambient temperature.	
Battery becomes weak and the engine does not turn over quick enough.	● Battery becomes weak and the engine does not turn over quick enough.	● Clean battery cables and terminals. ● Charge the battery. ● In cold weather, always remove the battery from the engine, charge and store it indoors. Install it on the machine only when the machine is going to be used.	
	Insufficient engine power.	● Insufficient or dirty fuel.	● Check the fuel system.
		● Air cleaner is clogged.	● Clean or replace the air cleaner element.
● Spark plug defective.		● Adjust the spark plug gap or replace it.	
Engine stops suddenly.	● Insufficient fuel.	● Refuel.	

Trouble	Cause	Countermeasure
Rough engine running.	● Spark plug defective.	● Adjust the spark plug gap or replace it.
	● High tension cord defective.	● Consult your KUBOTA Dealer.
	● Ignition coil defective.	● Consult your KUBOTA Dealer.
	● Fuel hose or fuel filter clogged or damaged.	● Clean or replace fuel lines, and consult your KUBOTA Dealer.
	● Improper or stale fuel. (Fuel quality is poor.)	● Replace fuel and consult your KUBOTA Dealer.
	● Air cleaner is clogged.	● Clean or replace the air cleaner element.
Exhaust fumes are colored. (Black, Dark or Gray)	● Overload.	● Reduce load.
	● Low grade fuel is used.	● Use specified fuel.
	● Air cleaner is clogged.	● Clean or replace the air cleaner element.
Exhaust fumes are colored. (White or Blue)	● Excessive engine oil.	● Reduce to the specified oil level.
	● Piston ring is worn or stuck.	● Consult your KUBOTA Dealer.
Engine overheats.	● Engine is overloaded.	● Lower speed or reduce load.
	● Engine oil is insufficient.	● Replenish engine oil.
	● Low coolant level.	● Fill cooling system to the correct level; check radiator and hoses for loose connections or leaks.
	● The motor driven fan does not turn.	● Check to see if the fuse is not blown. ● Check the electric system.
	● Dirty radiator core or grille screens.	● Remove all trash.
	● Coolant flow route corroded.	● Flush cooling system.
Engine diagnostic light comes on.	---	● Consult your KUBOTA Dealer.
Engine will not idle.	● Spark plug defective.	● Adjust the spark plug gap or replace it.
	● Faulty spark plug.	● Replace the spark plug.

If you have any questions, consult your local KUBOTA Dealer.

BATTERY TROUBLESHOOTING

Trouble	Cause	Countermeasure	Preventive measure
Starter does not function.	● Battery overused until lights are dim.	● Charge battery sufficiently.	● Charge the battery properly.
	● Battery has not been recharged.		
	● Poor terminal connection.	● Clean the terminal and tighten securely.	● Keep the terminal clean and tight. Apply grease and treat with anti-corrosives.
	● Battery life expired.	● Renew battery.	
From beginning starter does not function, and lights soon become dim.	● Insufficient charging.	● Charge battery sufficiently.	● Battery must be serviced properly before initial use.
When viewed from top, the top of plates look whitish.	● Battery was used with an insufficient amount of electrolyte.	● Add distilled water and charge the battery.	● Regularly check the electrolyte level.
	● Battery was used too much without recharging.	● Charge battery sufficiently.	● Charge the battery properly.
Recharging is impossible.	● Battery life expired.	● Replace battery.	
Terminals are severely corroded and heat up.	● Poor terminal connection.	● Clean the terminal and tighten securely.	● Keep the terminal clean and tight. Apply grease and treat with anti-corrosives.
Battery electrolyte level drops rapidly.	● There is a crack or pin holes in the electrolytic cells.	● Replace battery.	
	● Charging system trouble.	● Consult your local KUBOTA Dealer.	

If you have any questions, consult your local KUBOTA Dealer.

MACHINE TROUBLESHOOTING

Trouble	Cause	Countermeasure
Machine operation is not smooth.	● Hydrostatic transmission fluid is insufficient.	● Replenish oil.
	● Filter is clogged.	● Replace the filter.
Machine does not move while engine is running.	● Parking brake is on.	● Release the parking brake.
	● Transmission fluid level is insufficient.	● Replenish oil.
Brakes not working correctly	● Brake fluid level is low.	● Check fluid level.
	● Air is in brake system.	● Consult your KUBOTA Dealer.
	● Brake pads are worn.	● Consult your KUBOTA Dealer.
Brake noise	---	● Consult your KUBOTA Dealer.

If you have any questions, consult your local KUBOTA Dealer.

OPTIONS

Consult your local KUBOTA Dealer for further details.

- Backup Beeper
- Bed Liner
- Fabric Cover
- Front Accessory Box
- Front Guard (Silver)
- Front Heavy Load Strut
- Front Work Light
(for plastic canopy or no canopy, 1 or 2)
- Headrest
- Plastic Canopy (Black)
- Rear Net
- Rear Work Light
(for plastic canopy or no canopy)
- Safety Windshield
- Snow Blade (62") require Heavy Duty Spring Kit
- Speedometer
- Strobe Light
- Work Lights Kit
(for metal canopy or cab, include 2 lights for front or rear)

ENGINE EMISSION RELATED INFORMATION

- ◆ **The GZ460 engine conforms to U.S. EPA and California emission regulations for Non-road small SI engines.**
 - Emission compliance period: 1000 HOURS
 - CARB emissions durability period: EXTENDED

 - ◆ **The GZ460 engine conforms to EU emission regulation for Non-road small SI engines.**
 - Emission compliance period: 1000 HOURS

 - ◆ **Exhaust Emission Control System**
 - Throttle Body Injection, Electronic Control Module, 3 Way Catalyst
-

INDEX

12V Electric Outlet.....	21	Fuel Hose	68
4WD Lever	17	Fuel Line	52
Air Cleaner Primary Element.....	49	Fuse.....	70
Air Cleaner Primary Element and Secondary Element	64	Gauges, Meter and Easy Checker(TM).....	45
Alternator Drive Belt Tension	50	General Caution	26
Alternator Drive Belt Tension	69	Greasing	46
Amount of Fuel and Refueling.....	40	Head Light Switch.....	15
Anti-Freeze.....	65	Head Light, etc.	45
Battery Condition.....	54	Hills.....	24
Brake Fluid	68	Hood	37
Brake Fluid Level.....	44	Horn Button	15
Brake Hose.....	68	Hourmeter.....	20
Brake Hose and Pipe	67	Immediately Stop the Engine if:.....	18
Brake Light Switch.....	62	Inflation Pressure.....	29
Brake Master Cylinder (Inner Parts).....	68	Intake Air Line.....	67
Brake Pad.....	69	Intake Air Line.....	68
Brake Pedal.....	16	Joint Boot.....	45
Brake Pedal.....	44	Light Bulb.....	71
Brake Pedal.....	61	Lubricating Oil for New Vehicles.....	14
Carbon Canister Air Filter.....	53	Max. Cargo Load	26
Cargo Bed Tailgate	27	Operator's Seat.....	38
Cold Weather Starting.....	12	Parking Brake	45
Coolant Level	42	Parking Brake	69
Coolant Temperature Gauge.....	20	Parking Brake Lever	17
Differential Lock.....	21	Parking Brake Lever	20
Do not Operate the Vehicle at Full Speed for the First 50 Hours.....	14	Parking Brake Lever	56
Driving in "4WD".....	23	Pre Cleaner Element	49
Driving in Reverse	22	Pre Cleaner Element	64
Driving through Water	25	Radiator Cooling Fins	58
Easy Checker(TM)	19	Radiator Hose (Water pipes).....	68
Engine Breather Hose	67	Radiator Hose and Clamp	66
Engine Breather Hose	68	Radiator Screen.....	43
Engine Combustion Chamber	64	Raising and Lowering the Cargo Bed.....	28
Engine Cooling Fan.....	43	Raising and Lowering the Cargo Bed.....	38
Engine Oil.....	57	Range Gear Shift Lever	16
Engine Oil Filter.....	57	Rear End	39
Engine Oil Level	41	Rear Shock Absorber Spring Adjustment.....	30
Engine Start System.....	48	Rear Trailer Hitch	31
Engine Timing Belt	64	Seat Belt.....	14
Engine Timing Belt	64	Seat Belt and ROPS	45
Engine Valve Clearance.....	64	Sliding and Skidding	24
Flushing Cooling System and Coolant	65	Slow-Blow Fuses	71
Front Axle Case Oil	64	Spark Arrester	56
Front End.....	39	Spark Plug Condition & Gap.....	60
Front Trailer Hitch.....	31	Speed Control Pedal	18
Fuel Gauge.....	19	Stopping	18
		Tire	62
		Tire Inflation Pressure	46

Tire Type and Use.....	29
Toe-in	55
Transmission Fluid Level.....	42
Transmission Oil.....	63
Transmission Oil Filter.....	59
Traversing Hillsides	24
Turning the Vehicle	23
Unfamiliar Terrain.....	22
VHT Neutral Spring	48
Walk Around Inspection	40
Warm-Up Transmission Oil in the Low Temperature Range	12
Wheel Bolt Torque.....	48

EC-DECLARATION OF CONFORMITY
DECLARATION CE DE CONFORMITE
EG-KONFORMITÄTSERKLÄRUNG



Manufacture :
Fabricant : **KUBOTA Manufacturing of America Corporation**
Hersteller :
Address :
Adresse : Industrial Park North, 2715 Ramsey Road, Gainesville, GA, 30501 U.S.A.
Adresse :

Authorized Representative and responsible person in
the Community : Kazuo KOIKE
Représentant autorisé et personne responsable dans
la Communauté : Kubota Technical Center Europe
Bevollmächtigter Repräsentant und zuständige Person
in der Gemeinschaft : 95101 Argenteuil
France

Model:
Modèle: **RTV500-EU**
Modell:

Serial No.:
N° de série: **50001~99999**
Serien-Nr.:

This machine complies with the essential health and safety requirements relating to design and construction of machinery, according to EC directive 2006/42/EC and complied with the electro-magnetic compatibility according to EC directive 2014/30/EU.

Cette machine est conforme aux exigences essentielles de santé et sécurité qui concernent la conception et la construction des équipements, conformément à la directive 2006/42/CE et respecte la compatibilité électromagnétique selon la directive européenne 2014/30/UE.

Diese Maschine erfüllt alle wesentlichen Gesundheits- und Sicherheitsbestimmungen bezüglich des Designs und der Konstruktion von Maschinen gemäß Richtlinie 2006/42/EG sowie die Bestimmungen bezüglich der elektromagnetischen Verträglichkeit gemäß Richtlinie 2014/30/EU.

25 July 2019

Hirohiko Arai
President
Président
Geschäftsführer

KUBOTA Manufacturing of America Corporation
Industrial Park North, 2715 Ramsey Road, Gainesville, GA, 30501 U.S.A.

VIBRATION LEVEL

Model	Engine Speed	Vibration (*1)	
		Arm	Body (Operator / Passenger)
RTV500	2870 rpm	3.6 m/s ²	0.71 / 0.70 m/s ²

SOUND POWER LEVEL

Model	Engine Speed	Sound Power Lw
RTV500	2870 rpm	92 dB(A)

(*1) Vibration evaluated in field based on BS EN ISO1032: 2003

NOTE:

- The value listed above represents the weighted root means square acceleration to which the whole body is subjected on a representative machine during actual transport conditions. The acceleration value depends upon the roughness of the ground, the speed at which the vehicle is operating and the operator weight and driving habits.

NIVEAU DE VIBRATION

Modèle	Vitesse Moteur	Vibration (*1)	
		Bras	Corps (Opérateur / Passager)
RTV500	2870 tr/mn	3,6 m/s ²	0,71 / 0,70 m/s ²

NIVEAU DE PUISSANCE ACOUSTIQUE

Modèle	Vitesse Moteur	Puissance acoustique Lw
RTV500	2870 tr/mn	92 dB(A)

(*1) Valeur mesurée des vibrations selon la norme BS EN ISO1032: 2003

NOTE:

- La valeur énumérée ci-dessus représente l'accélération de la moyenne quadratique pondérée à laquelle la totalité du corps est soumise sur une machine représentative pendant des conditions de transport effectives. La valeur de l'accélération dépend de la rugosité du sol, de la vitesse à laquelle le véhicule est en train de fonctionner et du poids de l'opérateur ainsi que de ses habitudes pour conduire.

SCHWINGUNGSPEGEL

Modell	Motordrehzahl	Schwingungen (*1)	
		Arm	Körper (Fahrer / Passagier)
RTV500	2870 U/min	3,6 m/s ²	0,71 / 0,70 m/s ²

SCHALLLEISTUNGSPEGEL

Modell	Motordrehzahl	Gemessener Schallleistungspegel (Lw)
RTV500	2870 U/min	92 dB(A)

(*1) Schwingungen ausgewertet vor Ort gemäß BS EN ISO1032: 2003

HINWEIS:

- Der oben aufgeführte Wert stellt die effektive Beschleunigung dar, die der Körper auf einer repräsentativen Maschine während des tatsächlichen Transportzustands ausgesetzt ist. Der Beschleunigungswert hängt von der Rauheit der Maschine am Boden ab, der Betriebsgeschwindigkeit, dem Gewicht des Fahrers, sowie seinen Fahrgewohnheiten.