

A Strong and Popular Wood Chipper



TP 200 PTO

RELIABLE
WOOD CHIPPING

DESIGNED

+

MANUFACTURED

↓

DENMARK



+ With capacity to meet the broad requirements of e.g. forestry technicians and contractors, TP 200 PTO is one of the absolute top selling TP Wood Chippers. Tractor effect 40 - 115 hp.



A TP "high runner"

- TP 200 PTO has a powerful in feed based on the two hydraulic feed rollers , three blades and three counter steel
- To prevent overload of the tractor, the stress control system TP PILOT is recommended (especially for tractors below 75 hp)
- Simple and effective wood chipping of branches and entire trees up to 200 mm in diameter for tractor sizes 40 - 115 hp
- A replaceable casing at the bottom of the rotor housing helps to reduce maintenance costs
- Front mounting is an option
- With a 3 year warranty





Optimise your up-time with the TP SERVICEBOX
with critical wear parts (included)

TP 200 PTO

Technical Data

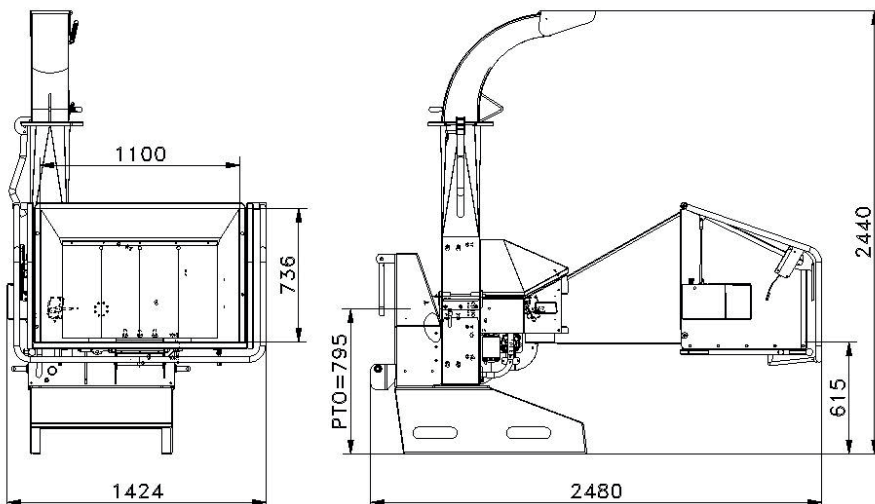
Max. wood diameter	200 mm
Infeed opening	H x W = 210 x 265 mm
Chipping principle	Disc chipper
In feed angle	Parallel to driving direction
Feed rollers	2 horizontal
Rotor disc diameter	760 mm
Rotor disc weight	168 kg
Number of blades	3
Counter steel	1 horizontal and 2 vertical
Chip length	4 - 10 mm
Effect need min.-max.	40 - 115 hp (30 - 85 kW)
PTO rotations per minute	1000 rpm (540 rpm with a speedup gear)
Capacity	Up to 40 m ³ /hour
Weight	700 kg
Dimensions H x W x L	2440 x 1424 x 2480 mm



The end product is a first class quality wood chip from 4 to 10 mm. The chip size is hydraulically adjustable.



TP 200 PTO is equipped with a folding funnel with the operating bar hinged at the top. The ejector spout is rotatable (300 degrees).



Linddana A/S
T +45 75 80 52 00
tp@linddana.com
www.linddana.com

