

Heavy-duty for hand feeding



TP 230 PTO

RELIABLE WOOD CHIPPING

DESIGNED

+

MANUFACTURED

↓

DENMARK

3
YEAR
WARRANTY
AS A STANDARD



RELIABLE
CHIPPING



Ideal when there is a need for efficient removal of branches and wood material placed alongside a road og hetch. Tractor effect 50 - 120 hp.



Unique design with a 90° angled funnel

- Strong wood chipper with a tip-up funnel perpendicular to the driving direction
- Equipped with an integrated hitch for trailer (max. vertical pressure: 500 kg / Pull: 5 ton)
- The vertical feed rollers ensure an aggressive and problem free chipping of even the most crooked trunks
- The stress control system TP PILOT - preventing overload of both tractor and wood chipper - is standard
- A replaceable tub plate in the rotor housing reduces the costs for maintenance
- 3 year warranty as a standard





Optimise your up-time with the TP SERVICEBOX with critical wear parts (included)

TP 230 PTO

Technical Data

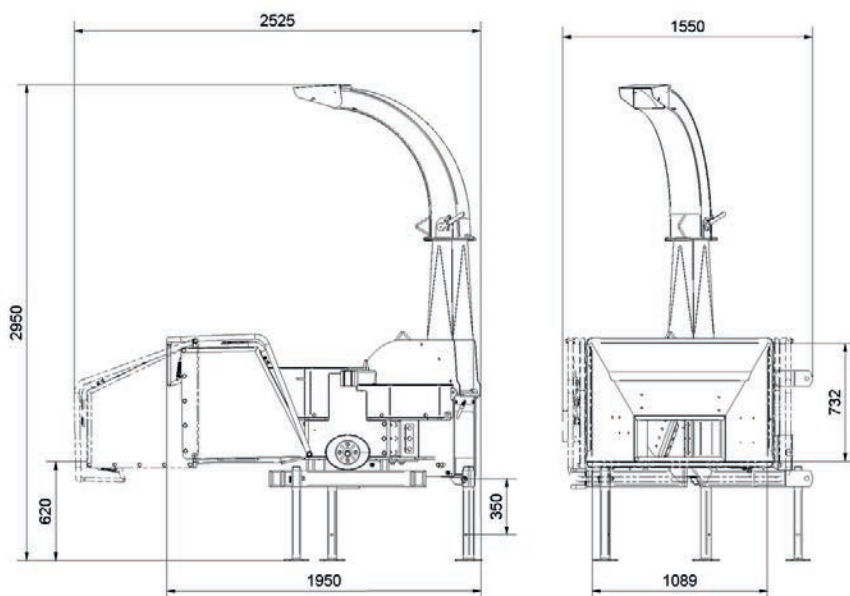
Max. wood diameter	230 mm
In feed opening	H x W = 230 x 240 mm
Chipping principle	Disc
Funnel angle	Perpendicular to direction of travel
Feed rollers	2 vertical
Rotor diameter	760 mm
Rotor weight	149 kg
Number of blades	3
Counter steel	1 horizontal, 1 vertical
Chip length	12 - 18 mm
Power requirement	50 - 120 hp (37 - 90 kW)
PTO rotations per minute	1000 rpm
Capacity	Up to 45 m ³ /hour
Weight	990 kg
Dimensions H x W x L	2950 x 2525 x 1550 mm



Optional equipment: The TP WINCH is driven by the wood chipper's hydraulic system. The winch pulls in the trunks, making the work even easier and more work environmentally friendly.



Uniform chip quality TP 230 PTO contains three Type A (max. opening 35 x 50mm) sliver breakers - resulting in a very uniform chip suited as biomass. Type B sliver breakers (20x50) are optional equipment.



Linddana A/S

T +45 75 80 52 00

tp@linddana.com

www.linddana.com

