

For large and demanding tasks



TP 250 PTO

RELIABLE
WOOD CHIPPING

DESIGNED

+

MANUFACTURED

↓

DENMARK



+

TP 250 PTO offers an optimal combination of functionality, size and capacity when attending tasks in parks, gardens and landscaping. Tractor effect 60 - 140 hp.



The all-round PTO wood chipper

- A wood chipper with a strong construction dimensioned to handle everything from finger-thick branches to trees with a diameter up to 250 mm
- TP 250 PTO has a powerful in feed based on the two hydraulic feed rollers, three blades and counter steel
- Versatile use for tractor sizes 60 - 140 hp
- A replaceable casing at the bottom of the rotor housing helps to reduce maintenance costs
- With 3 year product warranty included





Optimise your up-time with the TP SERVICEBOX
with critical wear parts (included)

TP 250 PTO

Technical Data

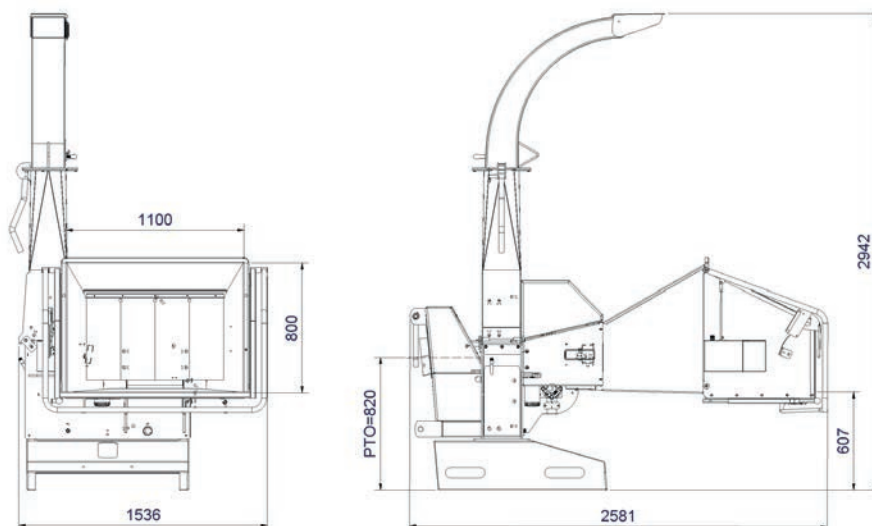
Max. wood diameter	250 mm
Infeed opening	H x W = 260 x 350 mm
Chipping principle	Disc chipper
In feed angle	Parallel to driving direction
Feed rollers	2 horizontal
Rotor disc diameter	960 mm
Rotor disc weight	266 kg
Number of blades	3
Counter steel	1 horizontal and 2 vertical
Chip length	4 - 13 mm
Effect need min.-max.	60 - 140 hp (45 - 104 kW)
PTO rotations per minute	1000 rpm
Capacity	Up to 50 m ³ /hour
Weight	1065 kg
Dimensions H x W x L	2942 x 1536 x 2581 mm



The end product is a first class quality wood chip from 4 to 13 mm. The chip size is hydraulically adjustable.



TP 250 PTO is equipped with a folding funnel with the operating bar hinged at the top. The ejector spout is rotatable (300 degrees).



Linddana A/S
T +45 75 80 52 00
tp@linddana.com
www.linddana.com

