

Operator- and Parts manual Verti-Drain®

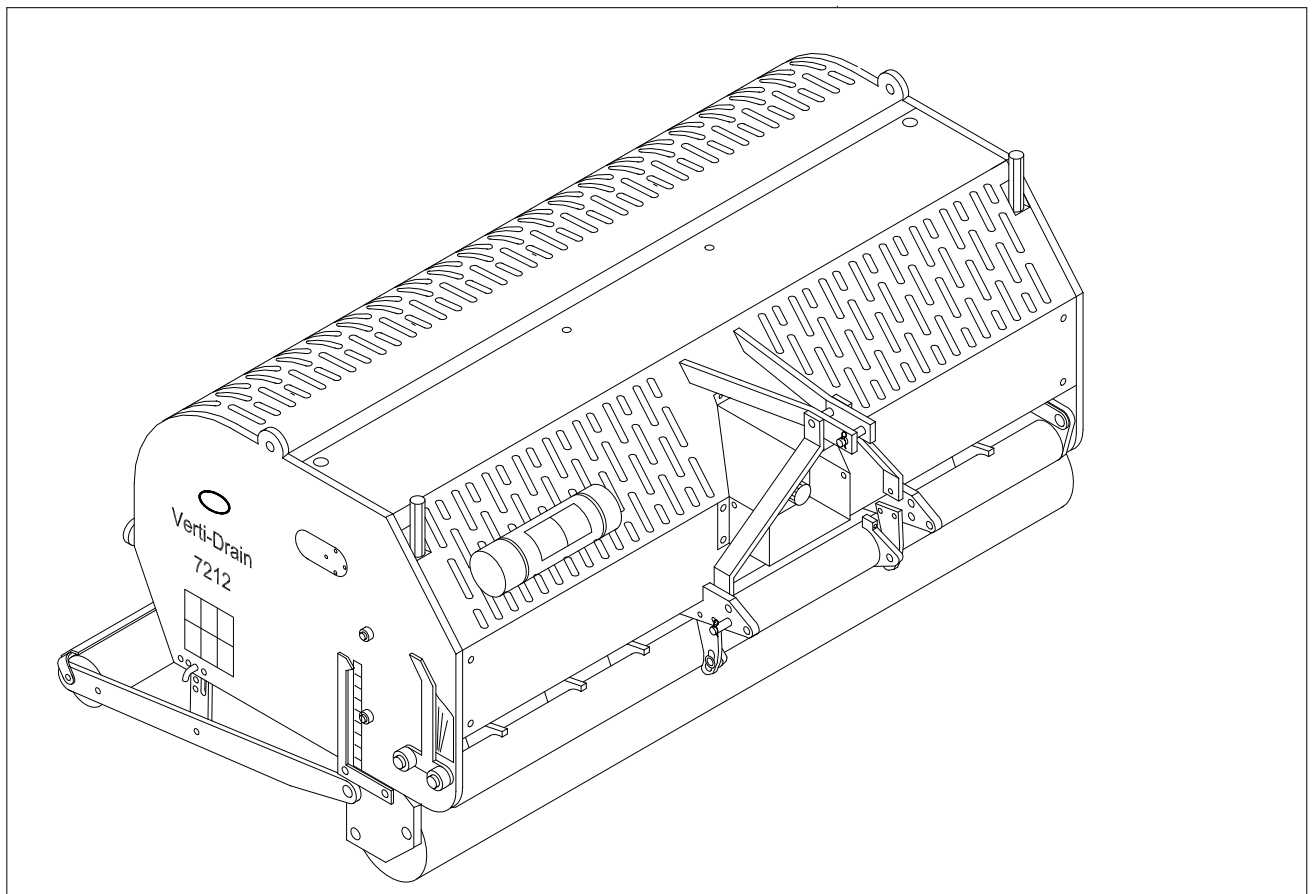


Kwekerijweg 8
3709JA Zeist
The Netherlands
T: (31)306933227
F: (31)306933228
E: verti-drain@redexim.com
www.redexim.com

Model 7212

Serial number:

Translation of the original operating instructions



NOTE:

IN ORDER TO ENSURE THE SAFE USE AND TO ACHIEVE THE BEST PERFORMANCE, IT IS ESSENTIAL THAT THIS OPERATORS MANUAL IS CAREFULLY READ BEFORE THE VERTI-DRAIN IS USED.

FOREWORD.

Congratulations on the purchase of your VERTI-DRAIN. To ensure the safe and lasting operations of this VERTI-DRAIN you (and anyone using the machine) should read and understand this user's manual. A complete knowledge of the contents of the manual is necessary in order to ensure the safe use of this machine.

The VERTI-DRAIN is not an independently operating machine. It is the responsibility of the user to use the correct tractor. The user will also need to check the tractor / VERTI-DRAIN combination on safety aspects, noise level, user instructions and risk analysis.

The VERTI-DRAIN is intended exclusively for grass fields or areas on which grass can grow.

On the following page, we will begin with the safety instructions. Every user must be familiar with these instructions and must follow them carefully. Below you will find a registration card, which should be returned to us so that we are able to process any future claims.

In this manual, many instructions are given which are stated in a number sequence. The user must follow the instructions according to this sequence. If the * appears this refers to safety instructions. If the @ is used, this refers to a tip and/ or note.

All information and technical specifications provided at the moment that this document is published are the most recent ones. Design specifications may be changed without prior notice.

This document is a translation of the original operating instructions.

Upon request, the original operating instructions are available in Dutch.

GUARANTEE CONDITIONS.

THIS VERTI-DRAIN PRODUCT IS DELIVERED TO THE CUSTOMER ACCOMPANIED BY A GUARANTEE AGAINST DEFECTS IN THE MATERIALS USED. THIS GUARANTEE APPLIES FOR A PERIOD OF 12 MONTHS AS OF THE DATE OF PURCHASE.

VERTI-DRAIN GUARANTEES ARE SUBJECTED TO THE "GENERAL CONDITIONS FOR SUPPLY OF PLANT AND MACHINERY FOR EXPORT, NUMBER 188", WHICH ARE PUBLISHED UNDER THE AUSPICES OF THE UNITED NATIONS ECONOMIC COMMISSION FOR EUROPE.

REGISTRATION CARD.

For your own record, copy the information from the registration card to the table hereunder

| | |
|--------------------------|--|
| Serial number of machine | |
| Name of your distributor | |
| Date of purchase | |
| Any remarks | |

SAFETY INSTRUCTIONS.

1. Always **use** the VERTI-DRAIN with the **correct tractor** as described in the technical information
2. The user is responsible for a **safe Tractor/VERTI-DRAIN combination**. The **combination must be tested** for noise, safety, risk and easy usage. It is also necessary to draw up user instructions.
3. The VERTI-DRAIN is suited **exclusively to grass fields**.
4. Every VERTI-DRAIN **user must be fully informed** of the information contained in the user manual.
5. **Inspect the ground** where the VERTI-DRAIN is to be applied. Remove loose obstacles, avoid uneven ground.
6. **Never step off the tractor** if the engine is still running.
7. Ensure that other people are **standing at least 4 mtr. (14') away** from the VERTI-DRAIN while the machine is in use.
8. **Use appropriate clothing**. Wear strong shoes with a steel inforced toe cap, long trousers, tie up long hair. Do not have any loose pieces of clothing.
9. **Never try to force the VERTI-DRAIN**, a situation which is visible in the partial loosening of the front roller from the ground and unstable behavior of the VERTI-DRAIN.
10. **Check the VERTI-DRAIN once a week** to ensure there are no loose screws or nuts and bolts.
11. The VERTI-DRAIN may **never be used without protection covers** and safety stickers.
12. **NEVER crawl underneath the VERTI-DRAIN**. If you need to work underneath, turn the VERTI-DRAIN on its front.
13. **Always switch off the engine and uncouple the power take off**, before starting any maintenance, adjustment or repair. Also block the VERTI-DRAIN against sinking and block it against forward/backward movement or sliding.
14. **Use only the original VERTI-DRAIN spare parts/ tines** in order to ensure the safe operation of the machine.
15. **Never use the VERTI-DRAIN** in the dark, in heavy rain, on frozen ground, stormy conditions or on slopes greater than 20 degrees.
16. Before operating the machine, also **read the instructions and the maintenance information for the power take off**. This component has its own certification mark.
17. **Maintain a log book of repairs**.
18. If any modifications are carried out on the machine **the CE certification mark will be no longer valid**. The User/Dealer himself must then have the machine re-certified.

CONTENTS.

| <i>Paragraph</i> | <i>Description</i> | <i>Page</i> |
|------------------|--|-------------|
| | Foreword | 2 |
| | Guarantee conditions | 2 |
| | Registration card | 2 |
| | Safety instruction | 3 |
| 1.0 | Technical specification | 5 |
| 2.0 | First setup, lifting machine from pallet | 6 |
| 3.0 | General controls | 7 |
| 4.0 | PTO | 8 |
| 4.1 | PTO length | 8 |
| 4.2 | Use of PTO | 9 |
| 4.3 | Slip clutch information and maintenance | 9 |
| 5.0 | Working depth adjustment | 10 |
| 6.0 | Tine angle adjustment | 10 |
| 7.0 | Ground speed | 11 |
| 8.0 | Starting procedures | 12 |
| 9.0 | General usage of Verti-Drain | 13 |
| 10.0 | Transport of Verti-Drain | 13 |
| 11.0 | Uncoupling of the Verti-Drain | 13 |
| 12.0 | Problem analysis | 14 |
| 13.0 | Maintenance | 15 |
| 14.0 | EU-Declaration | 15 |
| 15.0 | Technical information | 16 |
| 15.1 | Torque settings | 16 |
| 15.2 | The crankshaft | 17 |
| 15.2.1 | Replacing the transmission oil seal | 17 |
| 15.2.2 | Replacing of a crank and crank bearing | 18 |
| 15.2.3 | Removing the crankshaft tension | 18 |
| 15.3 | Alignment of an element | 19 |
| 16.0 | Options, Core Collector | 19 |
| 16.1 | Options, Turf Hold Down kit | 21 |
| 16.2 | Options, Tines | 22 |
| 16.2.1 | Solid tines | 22 |
| 16.2.2 | Hollow tines | 23 |
| 16.3 | Option, needle tines | 23 |
| 16.3.1 | (Standard) Needle tines | 23 |
| 16.3.2 | Mini Needle tines | 24 |

1.0 TECHNICAL SPECIFICATIONS.

| | |
|--|---|
| <u>Model</u> | <u>7212</u> |
| Working width | 1.20 mtr (48") |
| Working depth | Up to 250 mm (10") |
| Tractor speed @ 500 rev's at PTO Hole spacing 65 mm (2-1/2") Hole spacing 100mm(4") Hole spacing 165mm(6-1/2") | Up to 1.00 km/h (0.60 mph) Up to 1.50 km/h (1.00 mph) Up to 2.50 km/h (1.60 mph) |
| PTO speed: (max) | Up to 500 rpm |
| Weight | 470 Kg (1030 lbs) |
| Hole spacing side-to-side | 100 mm (4") @ 18 mm (3/4") holes 65 mm (2.5")@ 12 mm (1/2") holes |
| Hole spacing in driving direction | 25 – 165 mm (1 - 6-1/2") |
| Recommended tractor size | 18 HP with lift capacity of minimum 570 Kg (1250 lbs) |
| Capacity (maximum) Spacing 65 mm (2-1/2") Spacing 130mm (5 “) Spacing 165mm (6-1/2") | Up to 1200 sq.mtr (11000 sq ft)/ hour Up to 1800 sq.mtr (16500 sq.ft)/ hour Up to 3000 sq.mtr (28000 sq.ft)/ hour |
| Shipping dimensions | 1350 x 800 x 1100 mm (54"x 32"x 44") |
| Maximum tine size | Solid 18 x 250 mm (3/4"x 10") Hollow 25 x 250 mm (1"x 10") |
| Slip clutch setting PTO | Maximum 400 Nm. (3500 lb.inch.) |
| Three point linkage | 3- point CAT 1 . |
| Transmission oil | 80W90 (3 liter) |
| Lubrication grease | EP 2 |
| Standard items | Set solid tines 12/250 (1/2"x 10).. Front and rear roller 3- shuttle gearbox Toolbox with combi tool |

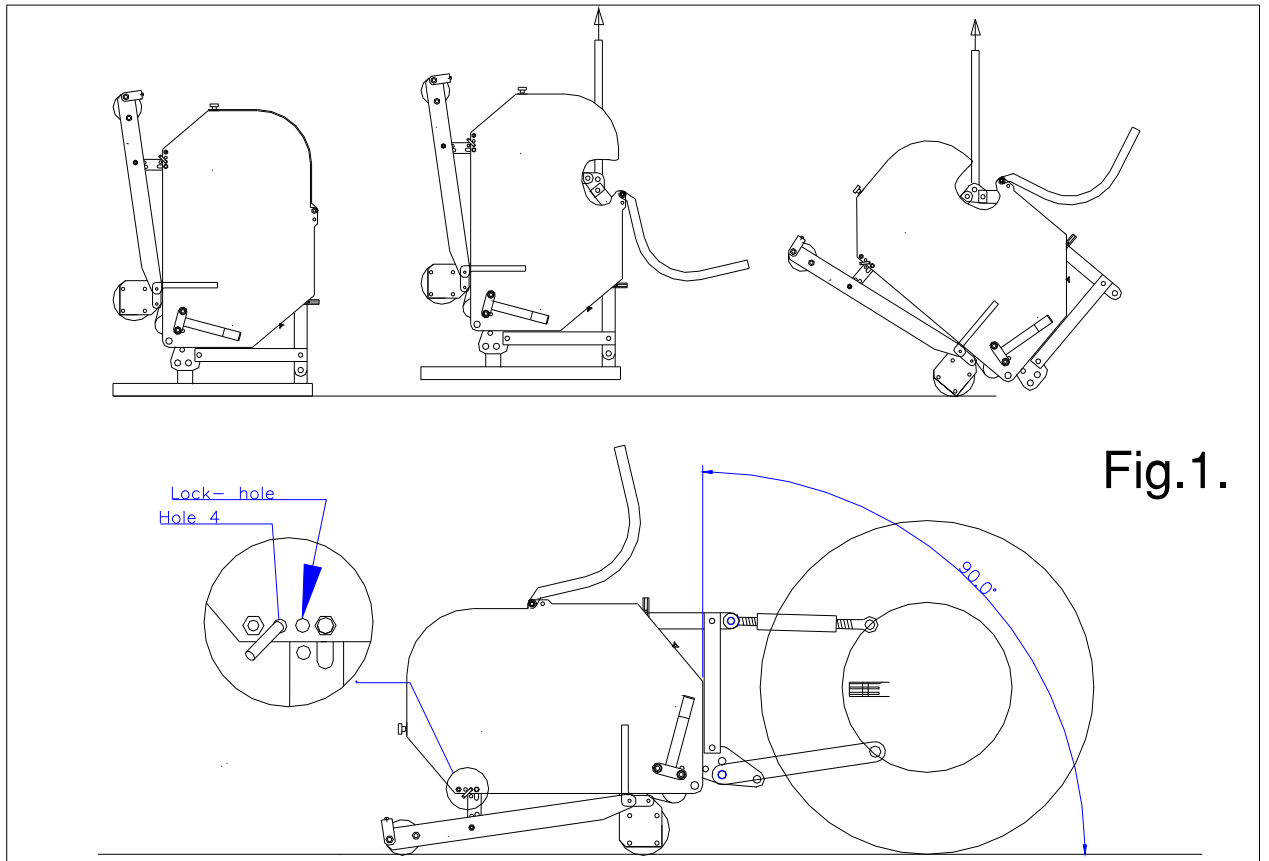


Fig.1.

2.0 FIRST SETUP, LIFTING MACHINE FROM PALLET.

The machine stands vertically up on the pallet. To remove the pallet and get the machine horizontal on the ground, handle as follows (see fig.1):

1. Open the rear cover
2. Connect a cable to lift point
 - * ensure the cable/crane/lift truck can lift minimum 2000 Kg.(5000 lbs).
3. Raise machine with pallet 50 mm (2")from the ground.
4. Remove pallet by sliding it over the bottom 3-point pins
 - * Do not crawl under the machine
- 5.Lower the machine gentle till 3-point connecting plates contact the ground.
6. Drop the machine further, enabling it to rotate on its front roller.
7. Gently lower the machine till it stands on the front and rear roller.
8. Connect the machine to a tractor.
 - * Use correct tractor see specifications.
9. Lift the machine from the ground.
10. Remove the rear roller lock pins. Put pins in hole 4.
11. Lower the machine on the ground and adjust the angle of 90 degrees with toplink
 - @ this angle is very important, see further.
12. Adjust tractor lower link stabilizers to limit sideways movement to about 100 mm (4").
13. Fix tine angle adjustment lever to machine (separately packed with tines in box).
14. Assemble the tines. Use some grease on the shank.
15. PTO length, see 3.1
16. When machine is taken of the pallet, remove the upper plug of the gearbox and replace it with the supplied breather.

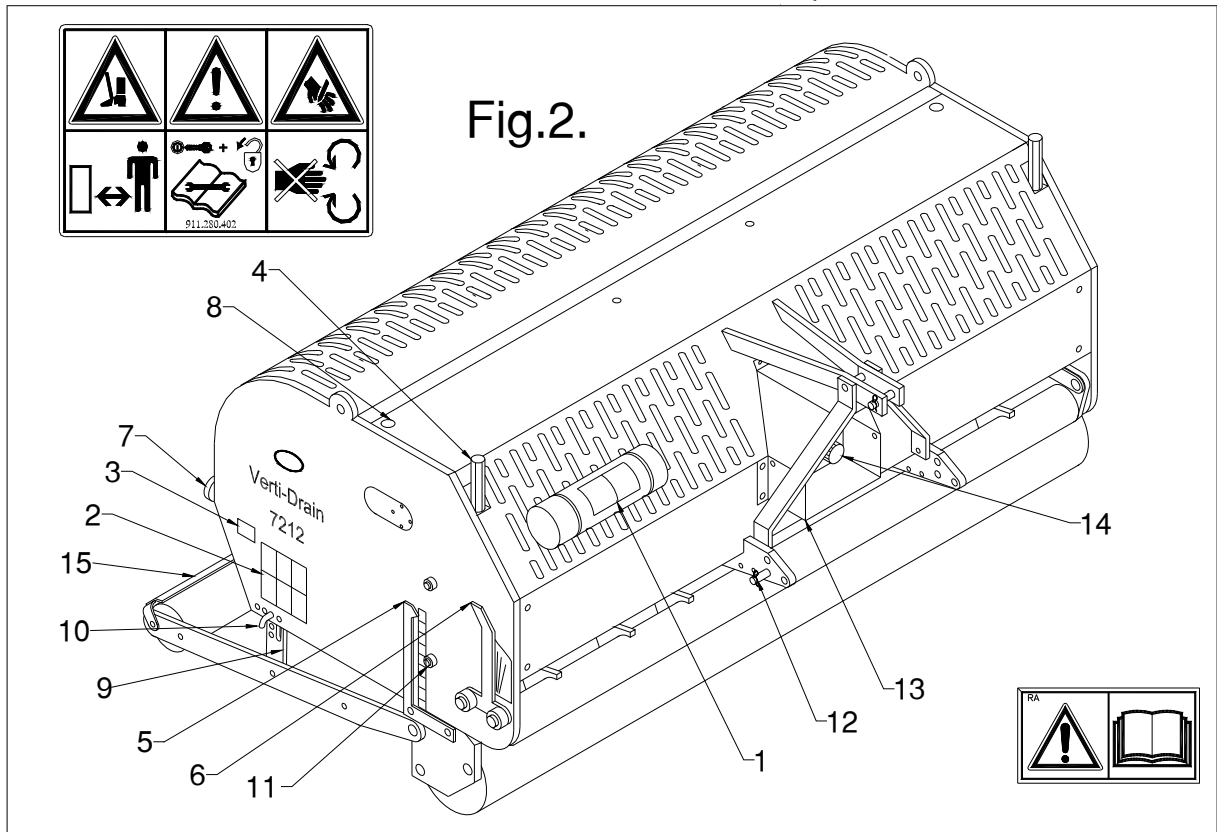


Fig.2.

3.0 GENERAL CONTROLS

In fig.2. some key details of the machine are shown, as follows:

1= Safety decal RA, before using machine read manual. Decal is located at the toolbox with manuals and combi-tool.

2= Safety decal 911.280.402, Keep 4 mtr (14') distance to the machine + Turn engine off when maintaining or repairing machine

*** All decal should be on the machine and understood all the time**

3= Serial number of machine can be found inside

4 = Spindle to adjust working depth.

5 = Working depth indicator. Note the indication is related to maximum tine length.

6 = Tine angle adjustment lever.

7 = Clamps for securing the rear access door of the VERTI-DRAIN.

*** rear access door should always be closed and free of any damage.**

8 = Rubber stops for supporting the rear access door when opened.

9= Rear roller support guide.

10= Rear roller lock pin. Lock only when machine is stored or roller is raised from the ground.

11= Front roller support lock nuts.

12= Lower 3-point linkage pins. May be repositioned and facing in or out.

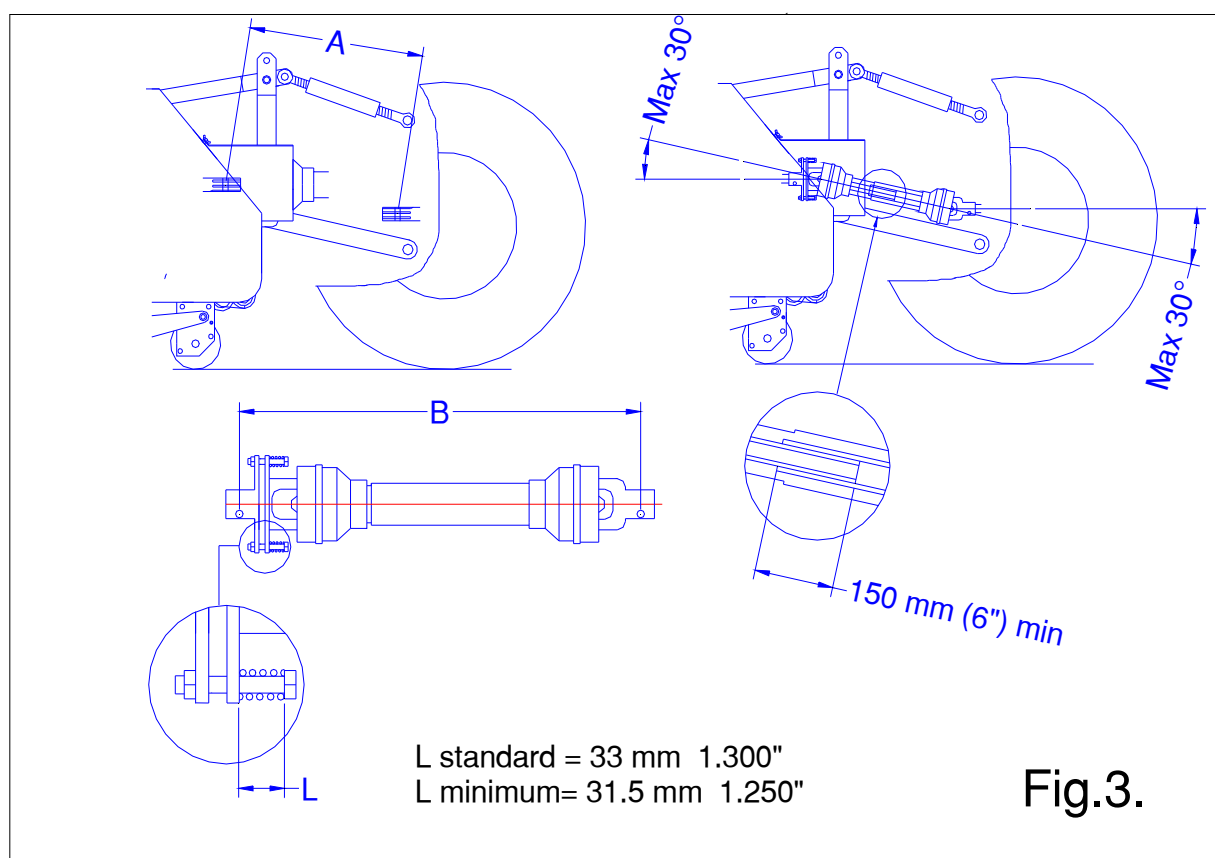
13= PTO protection covers at the machine. Top one can be removed for maintenance.

14= PTO input shaft. Slip clutch should be assembled at this shaft.

15= Rear roller scraper, can be adjusted.

4.0 PTO.

The PTO is a very important item. It drives the machine from the tractor and ensures the safe operations when correctly maintained and installed. The PTO shaft has its own CE certification.



Read the PTO shaft manual, which is connected to the shaft itself.

4.1 PTO LENGTH.

The length of the PTO is very important. When too long, the transmission of the tractor and/or VERTI-DRAIN may be damaged. When the overlap length of the tubes drops under 150 mm (6") anytime, the PTO may be damaged.

*** the length changes when the machine is raised or when another tractor is used.**

To cut the standard PTO from new or for another tractor, work as follows (see fig. 3):

1. Measure the distance between tractor PTO shaft and VERTI-DRAIN PTO shaft from groove to groove when machine is on the ground at correct angle and attached to the tractor.
2. Measure the length B of the PTO in its shortest position from lock pin to lock bolt.
3. Split PTO in two pieces and remove safety cover from each end
4. Both tubes and safety cover ends should be shortened: $(B - A) + 75 \text{ mm (3")}$.
5. Deburr all items, use some grease and put all parts together.
6. Assemble the slip clutch side of the PTO to the VERTI-DRAIN transmission.
* Torque for lock bolt should be 80 Nm (700 lb.in.) and checked every 40 hours
7. Connect other side to the tractor.
8. Check overlap of tubes.

*** Never run machine with a damaged PTO safety cover. Replace it first.**

4.2 USE OF PTO

For the correct use of the PTO, the following items need to be checked:

1. During work the angle of the joints may never exceed 30 degrees
2. The joints have to be in line all the time
3. The tube overlap should always be minimal 150 (6") mm
4. Never use the machine with a damaged PTO protection cover.
5. For greasing see par. 13.0 Maintenance.

4.3 SLIP CLUTCH INFORMATION AND MAINTENANCE.

The slip clutch will protect your machine against breakage when correctly used and maintained. The following items are important.

1. The spring length is standard set at 33.0 mm , 1.300".
2. When the slip clutch slips, the bolt/nuts may be tightened a quarter of a turn at a time, till the minimum length of 31.5mm, 1.250" on the springs is reached. Any further compression will overload the machine.

@ If too tight the machine may break down in the end or unsafe situations may occur.

3. The slip clutch should be maintained every month. Work as follows;

- Remove the top PTO protection cover of the machine
- Loosen up all bolts/ nuts two turns.
- Run the machine in the field at very low rpm's
- If the clutch slips, stop after 10 seconds.
- If it doesn't slip, loosen bolts more or go to (annual) maintenance.
- When the slip clutch has slipped, tighten the bolts/nuts up to the point the slip clutch works fine.

*** Do not tighten it to the previous setting right away.**

4. Annual maintenance:

- remove PTO from machine.
- inspect PTO shaft parts. Damaged parts should be replaced.
- disassemble the slip clutch by removing all bolts/nuts that hold the springs
- the slip clutch should fall apart in pieces.
- lay down the pieces and inspect parts. If parts are damaged or wear, replace them.
- clean all mating surfaces.
- assemble all parts and tighten bolts/nuts till the springs are all set at 33.0 mm , 1.300".
- Grease both tubes and assemble both PTO parts to each other.
- Assemble the PTO and mount it to the machine.
- Readjust the springs of the slip clutch when necessary as previously described.

@ The slip clutch protects the machine only against peak loads, when correctly adjusted. A continuous overload will damage the machine in the long run and is not protected by the slip clutch. Do not overload your machine.

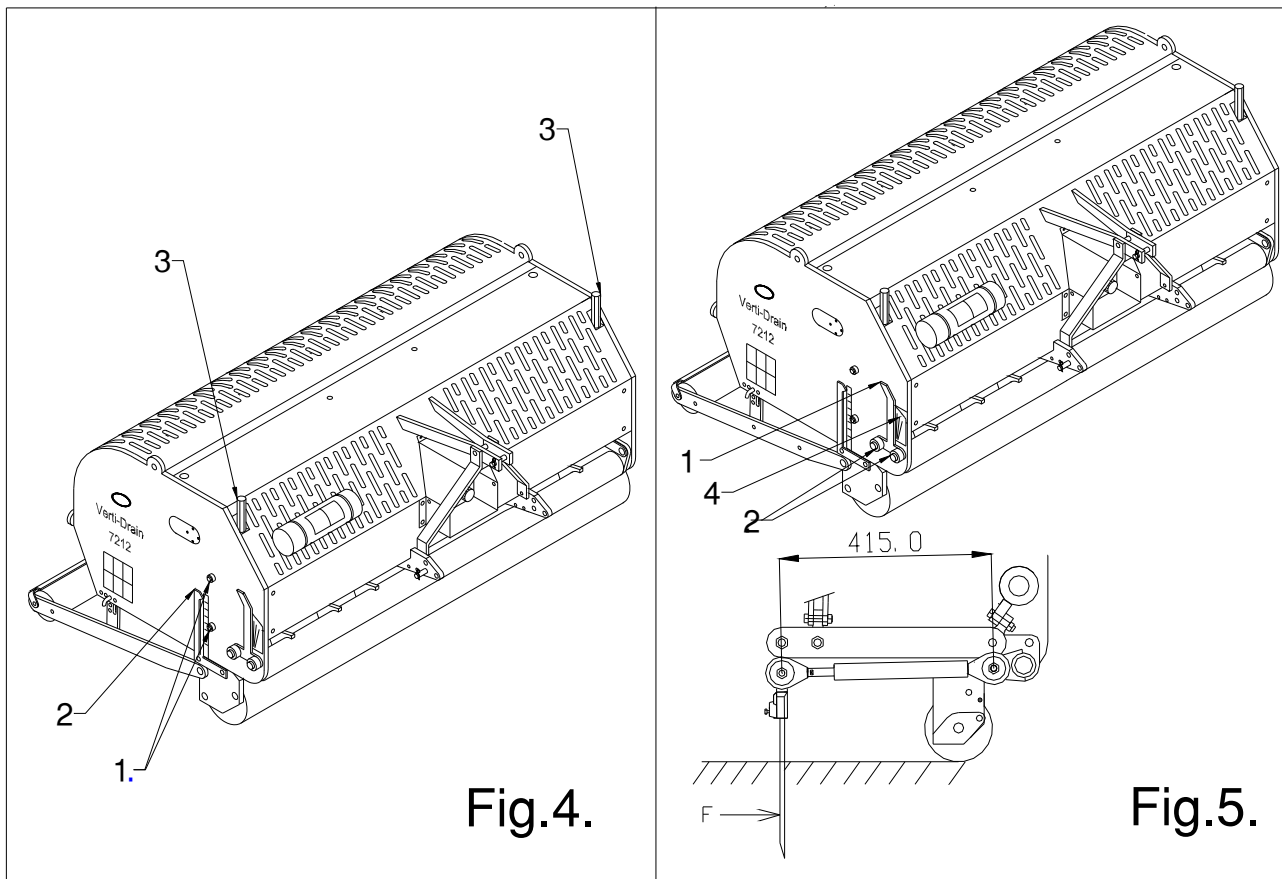


Fig.4.

Fig.5.

5.0 WORKING DEPTH ADJUSTMENT.

The working depth can be adjusted when the machine is lifted from the ground as follows, see fig. 4:

Unscrew nuts 1 at each side of the machine one turn. Screw spindle 3 in or out. Every revolution is 4 mm (0.160"). The decal 2 at each side of the machine shows the actual depth. When the correct depth is reached, tighten the nuts 1 at each side.

@ Never adjust one side more than 4 turns. Compensate the other side first before proceeding.

@ The adjustment can be done with a special tool in the machine tool box.

@ The value at the decals is only true when 250 mm (10") long tines are used. When shorter tines are used, deduct the length difference to the 250 mm (10") from the actual decal reading.

@ Clean and spray the spindle and nut with anti-sticking grease oil every 100 hours, to prevent dirt sticking on the nut.

6.0 TINE ANGLE ADJUSTMENT.

The adjustment of the angle of all tine holders is centrally located at the right side of the machine, see fig.5..

Raise the machine above the ground, slacken the nuts 2 at each side of the machine

Adjust the tine angle by rotating the lever 1. The angle-value can be read from the decal 4 next to the handle.

After the correct angle is set, tighten all nuts.

@ An angle of 90 degrees means almost no tine movement in the ground. This is required for hollow coring tines and advised for thinner tines.

@ From 90 to 75 degrees means more "kick action". This is advised for solid tines, depending on ground conditions, tine size and customer requirements.

@ The angle of 90 degrees means that the tines penetrate perpendicular into the ground. This is only true if the machine is correctly set, see fig.1. If this isn't correct a push force F, see fig 5. is applied, which can seriously damage the machine.

@ The length of the draw rod assembly should be 415.0 mm (16.340"), which can be set by the calibrating shimms, see the spare part page.

7.0 GROUND SPEED.

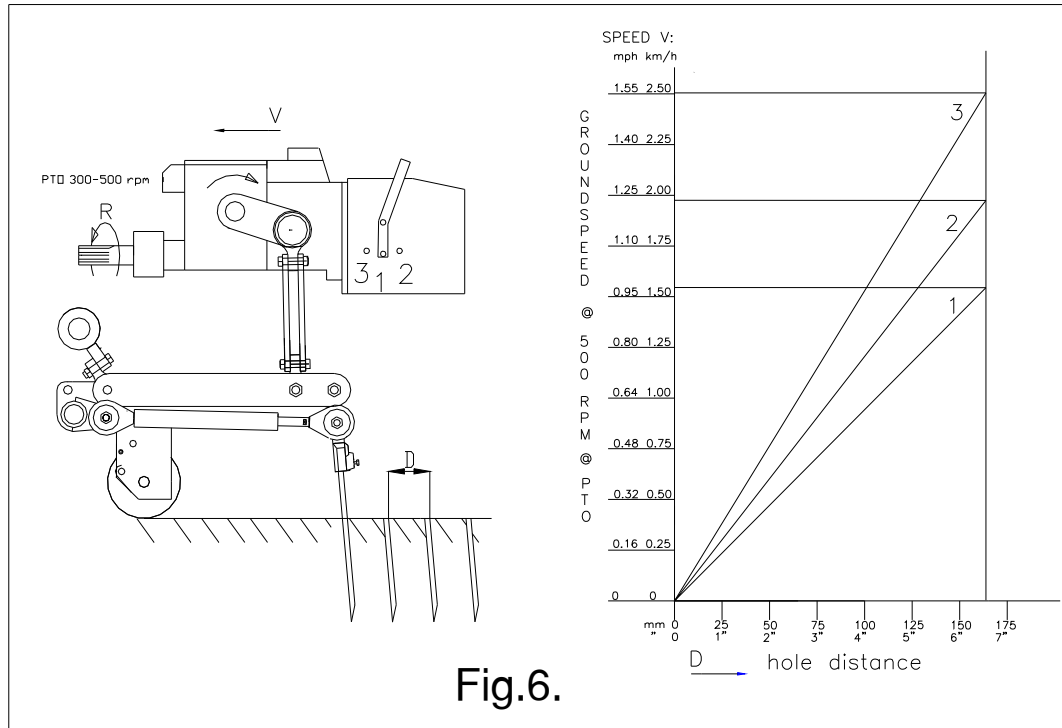


Fig.6.

The ground speed determines the hole spacing D in the drive direction, see fig.6. The VERTI-DRAIN doesn't need a creeper gear, however if the customer wants a close hole spacing, the ground speed should be low enough, which depends on the tractor.

The gearbox has standard three different gear setting, resp. 1,2 and 3. When set in 3, reduce PTO revs till 400 rpm's max, otherwise damage may occur.

The input speed R on the PTO may be maximum 500 rpm. When stones or rocks are expected, the input speed should be lowered.

With heavier tines or attachments, the tine holders may start to float. Lower rpm's at that time, before the tine holders start to turn upwards. We advise using 400 revs on PTO all the time.

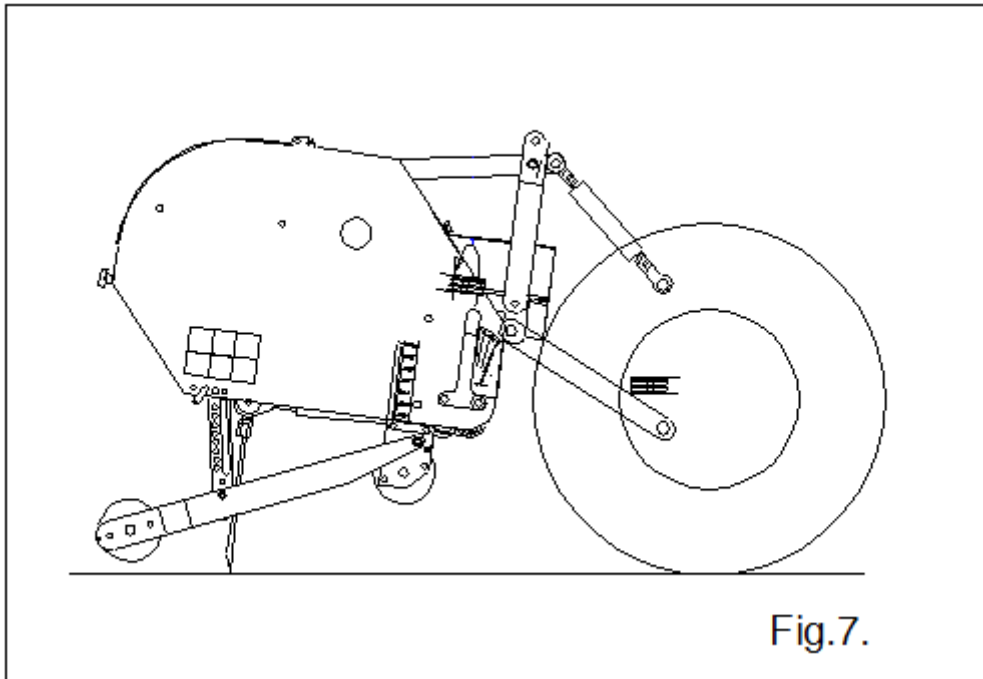
In Fig.6., a graph is drawn in which the relation between the ground speed, the gear setting and the hole spacing is given. If the tractor ground speed is known at 500 rpm's of the PTO, the hole spacing can be determined at different gearbox settings.

@ If the machine is not set correctly behind the tractor, see fig.1., different angles at the PTO may cause vibration into the drive line of the VERTI-DRAIN. This vibration can hurt the machine and also the performance of the holes in the ground.

@If the gear box setting is hard to shift, rotate the crankshaft a little till the shifting is possible. You can use the "Combi-Tool" for easily rotating the crankshaft.

@ If the PTO shaft is incorrectly fitted (too long or too short), extra forces are applied to the input shaft of the gearbox. Damage may occur.

* When the gearbox is shifted, shut off the tractor engine



8.0 STARTING PROCEDURES.

The starting procedure is **VERY** important. If the start up is not done as described hereunder, serious damage to the machine may occur. Proceed as follows, see fig.7.:

1. Drive to the spot you want to start the operation.
2. Lower the machine, till the lowest tines are almost on the ground.
3. Set tractor engine at appr. 1200 rpm's
4. Put tractor in correct gear, and start moving forward
5. Engage PTO at tractor
6. DURING rolling forwards with the machine RUNNING, GENTLY lower the machine in the ground, till front roller is tight on the ground.
7. Increase engine rpm's till the maximum value permitted.

At the end of a pass, quit the operation as follows:

1. Lower engine rpm's till about 1200.
2. Raise machine out of the ground.
3. As soon as all tines are out of the ground, disengage PTO.
4. Raise machine further, till the lowest tines are at least 120 mm (5") above the ground.
5. Move to the next spot and start again as described above.

@ It is absolutely necessary to proceed as described above. If the machine is put into the ground first, without the PTO running, serious damage may occur.

@The machine needs to be lowered GENTLY.

@ Be careful with driving backwards.

During work the front roller needs to be stable on the ground. If the machine starts to be unstable, change the rpm's on the PTO. If this doesn't make any difference, adjust the working depth or change to other tines who penetrate easier.

@ If nothing is done on the instability of the machine, serious troubles may arise afterwards. The machine is NOT protected against these circumstances on the long term.

@ Never drive backwards with the tines in or close to the ground.

@ NEVER drive backwards, when the lowest tines are less than 120 mm (5") above the ground. If the tines get caught, serious damage will appear on the machine.

@ Do not use a hydraulic top link.

9.0 GENERAL USAGE OF VERTI-DRAIN.

The VERTI-DRAIN can only be used when the circumstances are right. Check the following items:

1. Are there any loose objects on the field. If so, these must be removed first.
2. Are there any slopes. The maximum slope for the VERTI-DRAIN is 20 degrees. Always operate the VERTI-DRAIN from the top to the bottom of a slope.
3. Are there any pipes/wires/cables in the ground. If so, ascertain at what depth and set the working depth at a maximum of 60% of the pipe etc. depth.
4. Are there any hard objects in the ground. If so, operate the VERTI-DRAIN with a very low PTO speed, or adjust working depth.
5. Is there any danger of flying objects such as golf balls, which could distract the attention of the driver ? If so, the VERTI-DRAIN can not be operated at that moment.
6. Is there any danger of subsidence or land/mud slides ? If so, the VERTI-DRAIN cannot be operated on the field at that moment.
7. Is the ground frozen or very wet. Postpone operation till circumstances are better.
8. When ground is very compacted, use shorter thinner tines to penetrate, or adjust working depth.

10.0 TRANSPORT OF VERTI-DRAIN.

The user is responsible for the transport of the VERTI-DRAIN behind the tractor along the public streets. Check on the national legislation's. Across open ground a maximum speed of 12 km/h (8 mph) applies. In view of the weight of the VERTI-DRAIN, a higher speed could be dangerous for the driver and bystanders. The machine could also suffer damage due to jolt which can occur with higher speeds.

*** At least 20% of the tractor weight should rest on the front axle when machine is lifted.**

11.0 UNCOUPLING OF THE VERTI-DRAIN.

The machine can be disconnected from the tractor as follows:

1. Open the rear cover.
2. Rotate the crankshaft, until both central tine holders right/left from the gearbox, are at their highest position.
3. Turn all other tine holder upwards against the stop
4. Lower the machine on a firm surface
5. Lock pin 3 into a corresponding hole, see fig.1.
6. Block the rear and front roller against rolling away.
7. Remove the top link.
8. Disconnect the PTO shaft from the tractor side.
9. Disconnect the lower three point linkage arms.

* Shut down the tractor engine during walking around the VERTI-DRAIN..

12.0 PROBLEM ANALYSIS.

| | | |
|--|---|---|
| Machine vibrates | Crankshaft rotates irregular Tough circumstances | Machine not at 90 degrees PTO joint angles different PTO joints not in line Adjust working depth Use thinner/ shorter tines If dry, irrigate first |
| Solid/ hollow tines Are bending/ breaking | Wrong tine Tough circumstances Quick wearing | Change tine, use shorter one Use solids first before hollow To break the soil Adjust working depth Use thinner/ shorter tines If dry, irrigate first Use solids first to break the Soil Adjust tine angle setting |
| Front roller is not stable On the ground | Wrong tines, too much resistance Tough circumstances | Change tine size Adjust working depth Use other size tines Adjust working depth Irrigate first Do job not in one pass |
| PTO breakage | Slip clutches slips often Tubes are cracking | Check setting Replace lining plates Clean clutch internally PTO angles too wide PTO angles not the same |
| Damage to draw rods | Bending/ breaking | Machine not at 90 degrees Central bar bent Bearing bushes worn Tines hit the ground with reversing. Lift height not correct |
| Damage to the turf | Oval holes Turf damage | Soil too wet Change tine angle setting Reduce forward speed Adjust working depth Use thinner tines |
| Tine not tight in tine holder | Tough circumstances | Use other tines Grind flat area to tines Adjust the tine angle setting |
| Crankshaft problems | Big end nuts slacken | Solve vibration, see vibration |

| | | |
|---------------------|--|---|
| | | Crankshaft bearing collapsed Incorrect assembled after repair. Remove, clean, use loctite |
| Rear roller shaking | Rear roller locked Rear roller up with hollow coring Tough circumstances | Unlock Change speed and PTO rev's Put roller free on the ground Change machine settings. |

13.0 MAINTENANCE.

| | | |
|--|--|--|
| Pre-Delivery-Inspection | Check bolts/ nuts Connect the unit to a tractor Run unit for 5 min | See instructions in this manual Look and listen |
| After first 20 hours (new or repaired) | Grease PTO and rollers Check bolts/nuts Look closely at machine | 4 shots each EP 2 |
| After every 100 hours | Grease PTO and rollers Check bolts/ nuts Look closely at machine Grease spindles front roller | 4 shots each EP 2 |
| After every 500 operating hours. | Replace the oil in the gearbox. | Use 80W90 (3 liter). |

14.0 EU-Declaration.

We, Redexim Utrechtseweg 127 3702 AC Zeist Holland, hereby declare fully on our authority that the product:

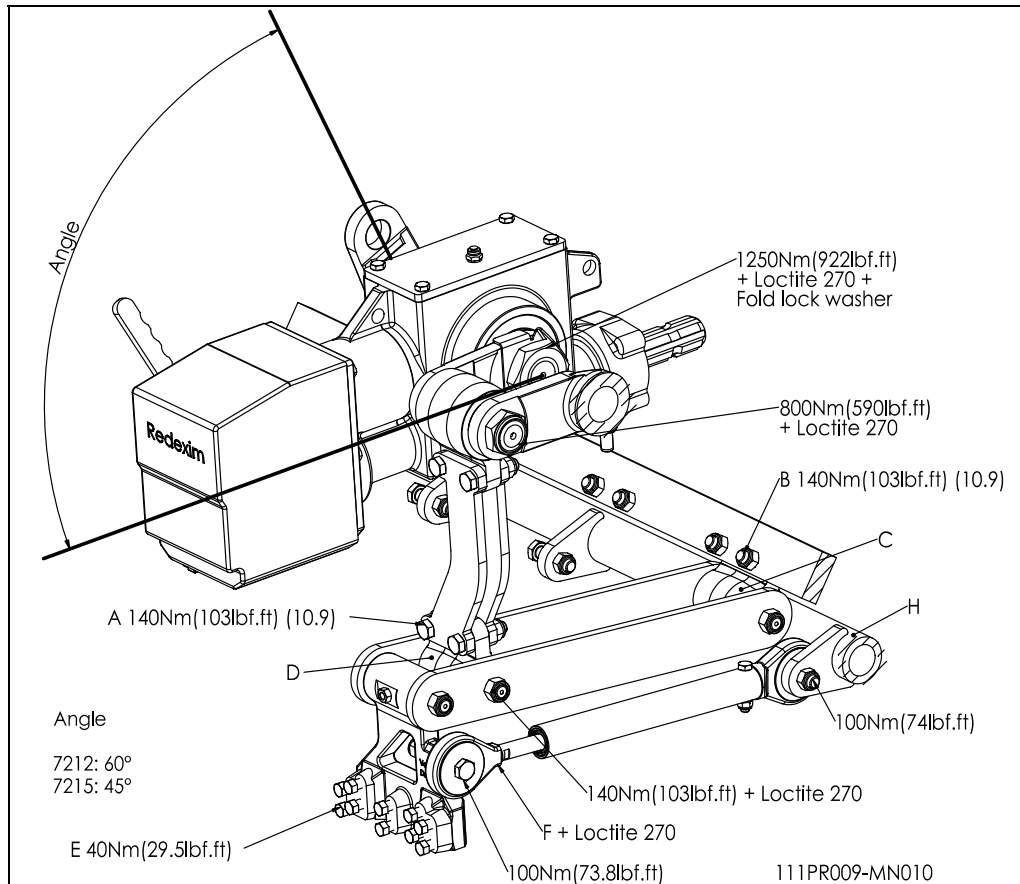
VERTI-DRAIN 7212, WITH MACHINE NUMBER AS INDICATED ON THE MACHINE AND IN THIS MANUAL,

to which this declaration relates is according to the stipulation of the 2006/42/EC directive for machines as well as the following standards: NEN-EN-ISO 12100 : 2010 and NEN-EN-ISO 13857 : 2008.

Zeist, 01/10/09

A.C. Bos
Manager Operations & Logistics
Redexim Holland

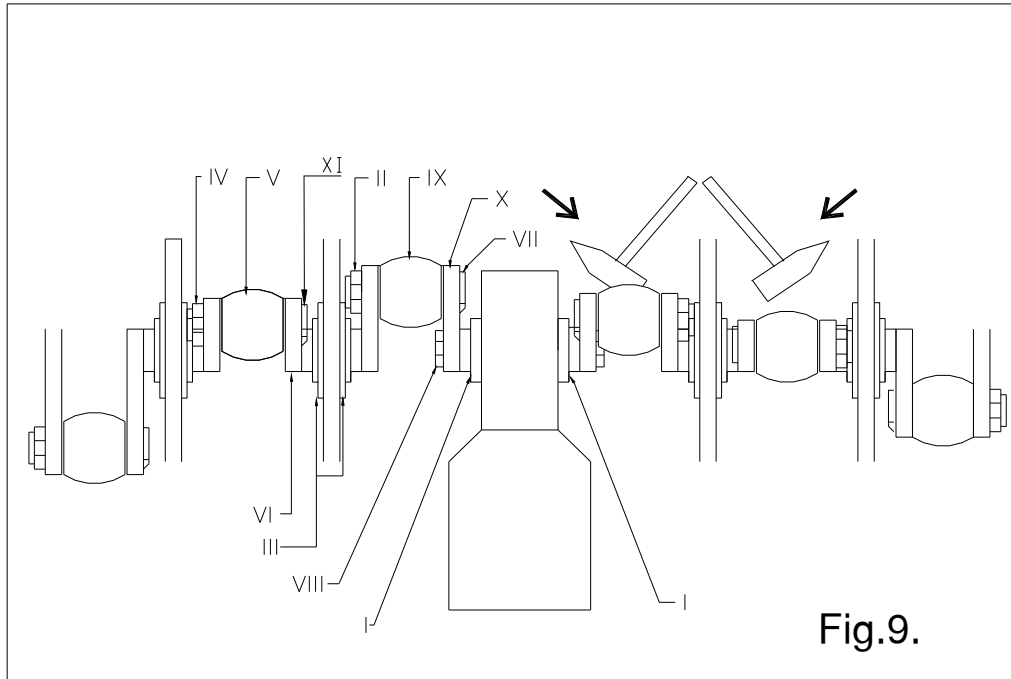
15.0 TECHNICAL INFORMATION.



Generally speaking, this Verti-Drain is not a complicated machine. A couple of technical items will be explained. If you still have questions, please contact your dealer, who is willing to assist you.

15.1 TORQUE SETTINGS. In fig.8., the torque settings of the most important bolts/nuts are given. For the ones the torque setting is not mentioned, please be sure that they are tightened as a similar size bolt/nut would be tightened. If bolts/nuts are working themselves loose, loctite may be applied.

15.2 THE CRANKSHAFT.



In fig.9. the assembly of the crankshaft is given. Also look at the spare part page for a more clear view and setup. On a 7212 the angle between the handles on the gearbox should be 67.5 degrees.

15.2.1 REPLACING THE TRANSMISSION OIL SEAL.

In fig.9. a top view of the crankshaft is given. To replace an oil seal at the transmission, handle as follows:

1. Loosen nuts II and IV, which may be tight through the loctite. Some heat may help.
2. Remove big end V, after the big end pin XI is removed.
3. Remove cover III by unscrewing all the bolts/nuts.
4. Slide crank VI away from the gearbox using a hammer and hitting is slightly at the center, until big end pin VII is free.
5. Rotate crank VI and slide big end IX from the big end pin VII.
6. Remove handle X after marking the position and removing nut VIII.
7. Pull oil seal out with a screw driver.
8. Clean area and assemble new oil seal.
9. Clean handle X and splined shaft and assemble the handle at the right position.
10. Before attaching nut/new lock plate, first fill the space under the locking plate (between the splines and the handle) with liquid silicon paste.
11. Attach a new locking plate and nut VIII. Use loctite for the nut as well.
12. Assemble the other parts the same way as they have been removed.
13. If the crankshaft seems lumpish, see further 15.2.3.

15.2.2. REPLACEMENT OF A CRANK WITH BEARING.

Replacing a crank is necessary when it is cracked or when the big end nuts start to come loose on a regular base. Either the crank bearing, the crank bearing fitting or the big end pin holes in the crank are damaged. Replace the crank / bearing as soon as possible, to avoid any more damage to other parts, as follows:

1. Remove big end pin nuts IV (or II) from both big end pins connected to the crank.
2. Remove the big end pins, so that the big end can be swapped away. (Note; this will not happen with the big end (pin) aside the gearbox.).
3. Remove the crank bearing covers III
4. Tap crank IV and bearing carefully sideways out of the frame by hitting the crank in the centre with a hammer.
5. Remove the bearing carefully from the crank.
6. After replacing the crank and/or bearing, replace the parts in the same sequence as they were removed. Use loctite were indicated in fig.8.
7. If the crankshaft runs tight, see 15.2.3.

15.2.3 REMOVING THE CRANKSHAFT TENSION.

If parts have been replaced on the crankshaft, the crankshaft may seem running tight. This is because of possible tension in the crankshaft parts. It is necessary to remove these, as follows ,see fig.9.:

1. Tap the center of the crank adjacent to the gearbox, alternately left and right.
2. Feel whether the crank moves and continue till the crank has nested.
3. Repeat this operation with the adjacent crank and continue this way till the crankshaft will operate more smoothly.

@ After any repair on the crankshaft, the crankshaft nuts should be checked regularly, see 12.0

@ Don't assemble the cranks at the wrong side of the machine. See the spare part part for the right part numbers.

15.3 ALIGNMENT OF AN ELEMENT.

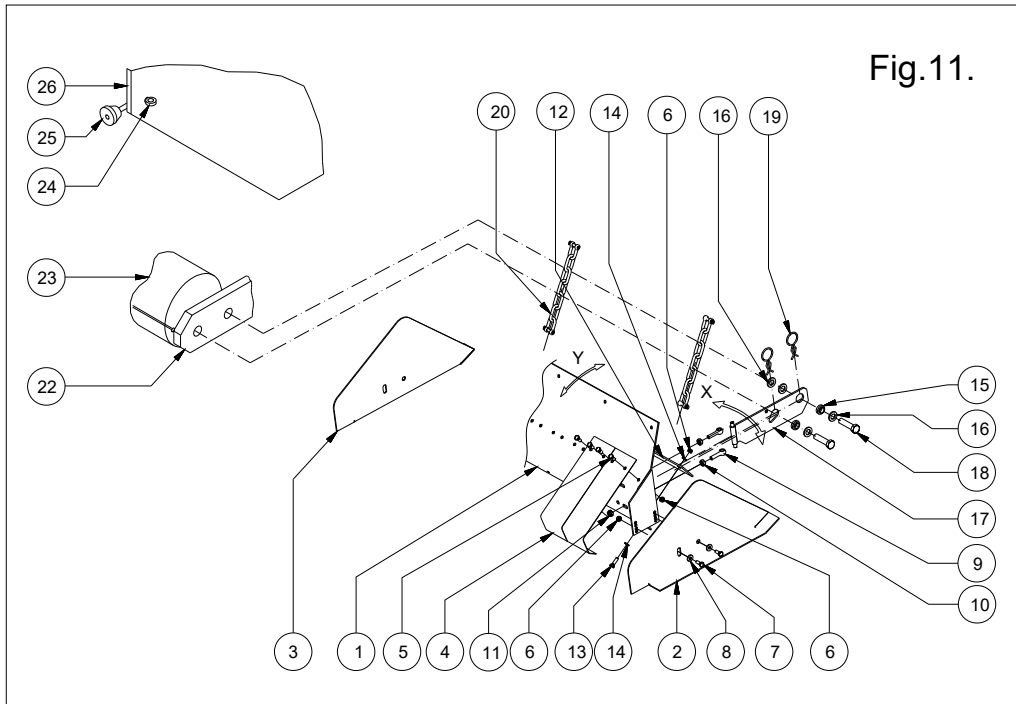
In the event that an element is no longer in line with the adjacent elements, the alignment can be corrected as follows (see fig.8.):

- Slacken the four bolts/nuts A, that connect the crankshaft to the element.
- Slacken the two bolts B, that fix the element to the main frame.
- Try to align the element by moving it sideways, till it lines up with the adjacent ones.
- Start to tighten all bolts/nuts.

@ The element may be pushed out of line due to overload to the machine

@ When a crank is replaced, always realign the element, because if no additional tension is created in the total element assembly.

@ Any pre-tension in the element assembly will shorten the bearing life and may damage other parts as well.



16.0 OPTIONS, CORE COLLECTOR.

An easy mountable core collector is available for the 7212. The part number is 910080.

ASSEMBLING INSTUCTIONS (see Fig 11):

- Preparation of the Verti-Drain:

- Fit eye bolts 24 to the main frame 26
- Assemble bushes 15 with the new longer bolts 18 to the rear roller supports.

@ These bushes can stay on the machine all the time

@ Use washers 16 to align the bushes to the rear roller scraper support.

- Assembling the core collector itself:

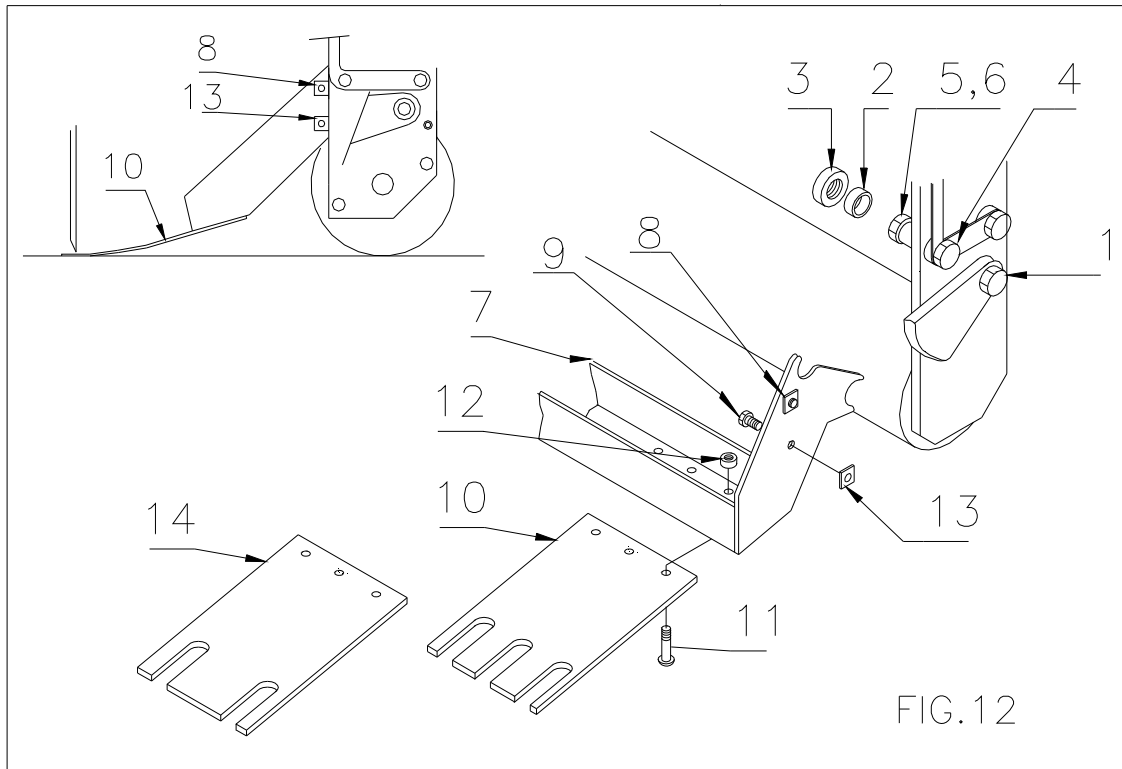
- Assemble supports 17 with eye bolts 9 and nuts 10/11 to the main collector plate 1
- Screw the side panels 2/3 with bolts 7 and Bushes 8 to the main collector plate 1
- Assemble the rubber strip 12 with bolts 13, washers 14 and nuts 6 to the plate 1
- Assemble all the sheet springs 4 , well aligned, to the main plate 1.

@ Choose for the time being the centre hole for bolts 7. This setting can be changed later

@ The side panels 2/3 should not be tight, but moveable around the bushes 8.

USER INSTRUCTIONS:

- When the core collector and the Verti-Drain are well prepared, the core collector supports 17 can be slid onto the bushes 15. Secure it with R pins 19. The rear roller is of the ground, when the core collector is attached. If the clearance is not enough, do NOT remove the rear roller (since the weight is needed) but turn the roller up by taking on bearing bolt out.
- The rear roller supports at the machine must float. So don't lock them with pin 10 (fig.2.)
- Fit chain 20 with two D- shackles to support 17 and eye bolt 24. Ensure left and right are set at the same length. Allow about 100 mm (4") play, so the core collector can follow the ground perfectly and is lifted when the machine is raised. When the working depth on the machine is adjusted, the chain length need to be checked.
- The rubber seal strip 12 is the first and major shovel, that should hold the cores. The ground clearance should be about the core diameter and can be adjusted by choosing other holes for bolts 7.
- The blade springs 4 act as fine cleaner, because they can individually follow the ground contours. The pressure can be set by tilting the main body plate 1 forwards or backwards (Y). This can be achieved by adjusting the top and bottom eye bolt 9 position to the main plate 1.
- The core collector can collect the core for a certain pass length. The length depends on the amount of cores and the sizes.
- If the area isn't clean, check the gap between the rubber seal strip 12 and the blade spring tension 4. Extra weight on top of the core collector may help as well.



16.1 OPTIONS, TURF HOLD DOWN KIT.

A Turf Hold Down Kit can be used when the turf is coming loose. Two kits are available for the 7212. One with fingers lining up with the 12 mm (1/2") holes of the tine holder (part # 311.506.186) and one with finger lining up with the 18 mm (3/4") holes (part # 311.506.188).

ASSEMBLING THE TURF HOLD DOWN KIT (see fig.12):

- Mount an extra bush 2 on new longer bolts 1 and 4 at the innerside of both front roller supports. Tighten the bolts. The bushes can stay on forever.
- Assemble square nut 8 on the main beam 7. The nut should face vertical in the end. Tighten the nut, since it can stay all the time.
- The main beam can be hooked onto the machine. The cut outs on the plate at each side of the main beam 7, should fit the mounted bushes 2.
- When the main beam is hooked up, fit bolt 9 and square nut 13. When assembled and tightened, the main beam is in place.
- The ordered kit comes with fingers 10 or 14. Assemble the fingers with bolt 11 and nut 12. Use the slotted hole in the fingers to align the fingers to the tines.
- The whole assembly can be taken of by removing the bolt 9 and nut 13.
- If the finger are bent in one direction after a long while, mount them the opposite way.

SOME OTHER NOTES:

- When the tines are not centered to the machine anymore, the tines may hit the side of the slots. Realign the tine holders.
- If the tines hit the front of the hole (during work), check the draw rod length.
- **Never creep under the machine. Have the machine well blocked.**

16.2 OPTIONS, TINES.

Tines are essential for the correct working of the machine. Several tines are available for this machine, see the spare part pages for a total overview. Generally speaking, tines can be divided into two categories: Solids and Hollows. We advise using genuine tines, since they are fully adapted to the machine.

In fig.13. several tine combination are given. The tine holders have 3 x 12 mm (1/2") holes and 2 x 18 mm (3/4 ") holes for adapting tines. The lock bolt B may be tightened till 40 Nm (30 lbs.ft.). If the tines still slip out of the adapter, grind a flat area to the tine.

16.2.1 SOLID TINES.

Solid tines will break the hard compaction in the ground. The tine angle setting (see par.6.0) determines the amount of "kick" action in the ground. If the angle is adjusted from 90 degrees up to 75 degrees, the "kick" action increases. With a 90 degrees setting we hardly create any tine motion in the ground, with 75 degrees we have the maximum tine action in the ground.

When tines are new, they may disrupt the turf, specially when the root system is weak. Clean the tines first by hand or use the machine for 10 minutes at another rough area.

If the root system is weak, don't try to break the soil much deeper than the root system. Adjust the working depth till the penetration is about 75 mm (3") more than the root system depth. This allows the roots to grow deeper. Next time penetrate deeper. Using this method will safe you from damaging the turf and will establish a healthy root system.

We advise to use the solid tines with the sharp point facing to the front roller. This will create the best tine action in the ground. However with a weak turf, it is worth using the tines with the sharp edge facing the rear roller.

The rear roller may not be locked.

Use always tines with the same length and size. Replace a bent tine immediately. When this is not done, the machine can be unstable. Don't use any thicker/ longer tines as what is offered by Redexim.

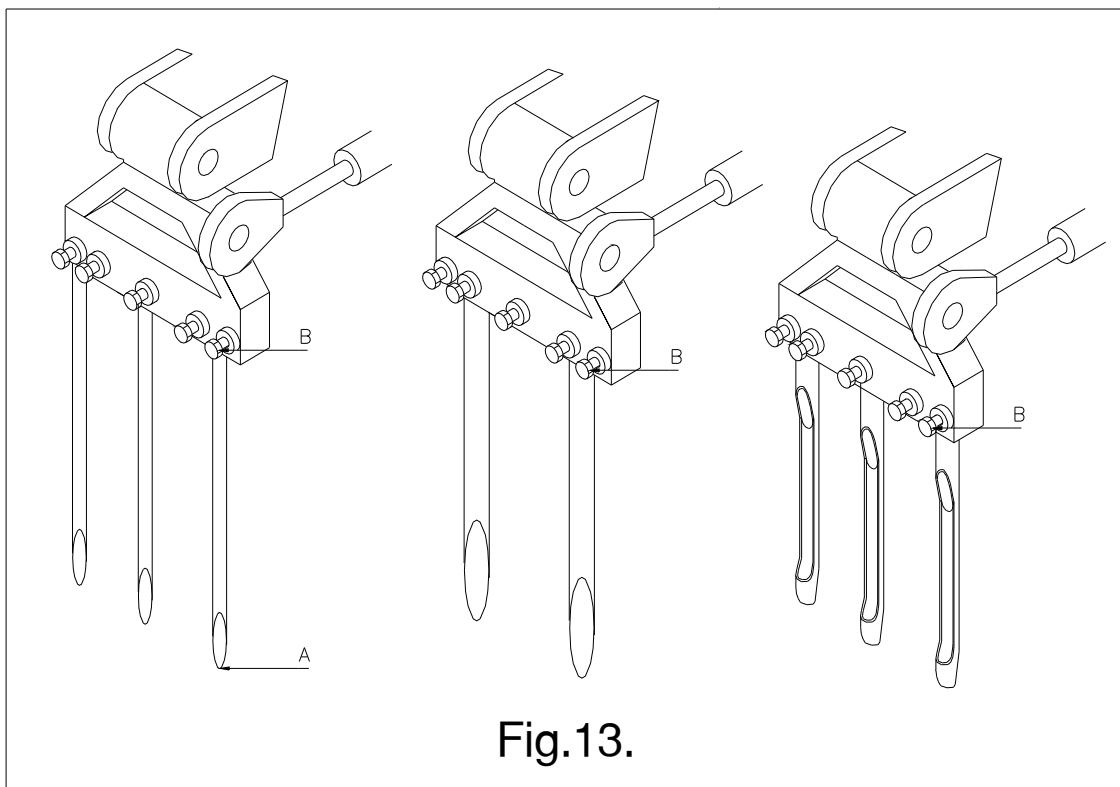


Fig.13.

Shorter (worn) tines can be used in case shallower penetration is required. The machine doesn't need to be adjusted that much at that time. Note that the depth reading on the decal is only correct when using the full maximum length tine

If oval holes are created, it means that we have a weak top layer and a hard pan underneath. Use thinner tines or wait till the (wet) top layer has dried.

If top dressing needs to be applied, spread it first before using the Verti-Drain.

If the ground is hard to penetrate, irrigate first, use smaller diameter shorter tines or adjust working depth. If not done, the machine will be hurt in the end.

With heavy tines, the tine holders may start to float. Reduce the PTO speed at that moment immediately, because damage may occur when the tines hit the rear roller.

16.2.2 HOLLOW TINES.

With hollow tines, the soil can be exchanged. Different sizes are available, see the parts manual. The side outlet should face to the rear of the machine.

It is important that the tine angle is set a 90 degrees with hollow coring tines. The tine motion in the ground is minimum and we create a nice clean hole. If the tine is still moving in the ground, the hollow tine may break in the end.

If top dressing needs to be applied, use the Verti-Drain first, remove the cores and start spreading sand.

If a lot of dirt is created during hollow coring, reduce your rpm's or irrigate first. The dirt may wear your machine.

When the turf is damaged use the solid tines first to establish a healthy root system first or adjust the working depth.

The rear roller may be lifted and locked with the lock pin, so it doesn't squash the cores. However when the machine is a bit unstable and the rear roller starts to vibrate, it is better to keep the rear roller on the ground.

If the hollow tines block, it means that the ground is (very) compacted and solid need to be used first to break the ground. Irrigation may help as well, as adjusting the working depth.

16.3 OPTIONS, NEEDLE TINES.

With the needle tines, we can create many holes that are hardly noticeable. Two versions are available, see also fig.14.

16.3.1. (STANDARD) NEEDLE TINES.

A special multi-tine adapter block is required to mount 6 needle tine per tine head from the machine, see fig. 14, left. The adapter blocks are bolted against the bottom of the tine holder with two bolts D. The mark (drilled center points) should face to the center of the machine.

The adapter can take solid needle tines or hollow needle tines. The 6 tines per adapter block are tightened with a bolt. Since we have two rows, the bolts should be mounted from the front and back, at the longest threaded hole part. The maximum torque on these bolts should be 40 Nm (30 lbs.ft.)

We advise a machine setting of 90 degrees, so we create nice straight holes.

The height setting of the machine needs some adjustment to compensate for the adapter block

If the needle tines rip the turf, take some tines out.

The complete adapter block (without tine) has the part number 9990206 (6 needed for a full set)

16.3.2. MINI NEEDLE TINES

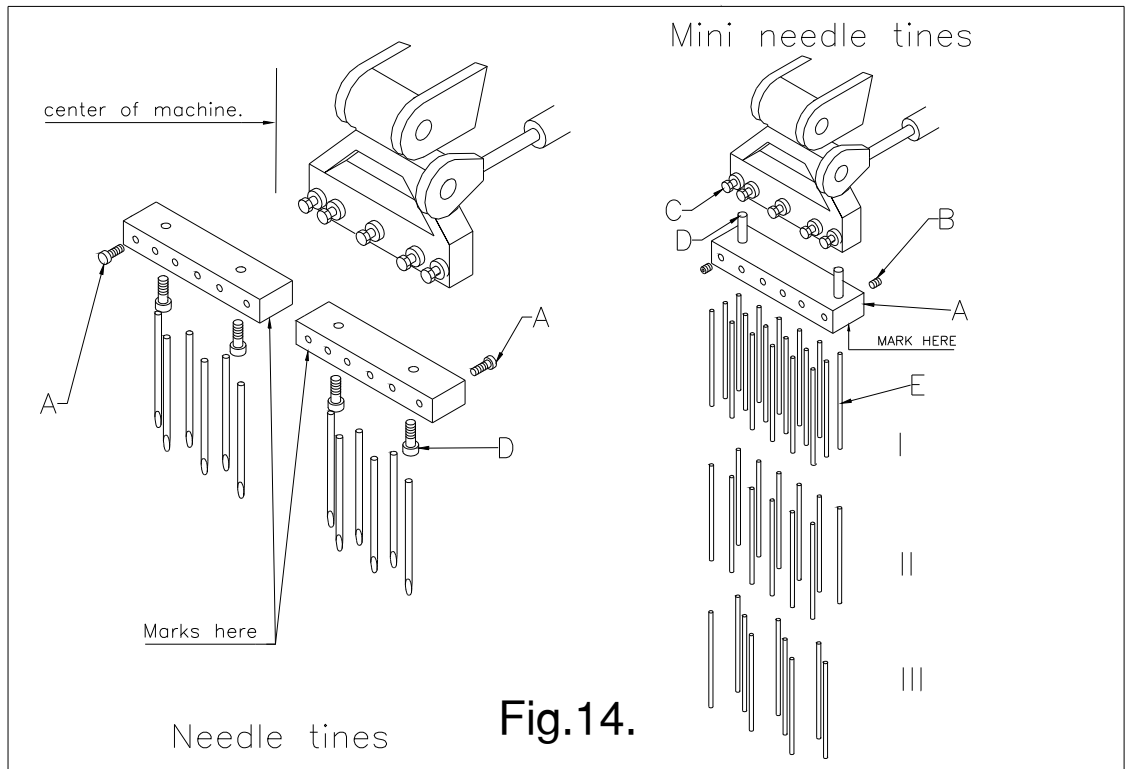


Fig.14.

Mini Needle (solid) tines need a mini needle adapter block. The two studs D (fig 14, right) fit a 12 mm (1/2") hole C of the standard machine tine head.

Per adapter block we have 3 rows with each 7 holes. So per block we can mount 21 mini needle tines.

If a full mounted block damages the turf, reduce the number of tines, like is shown in I, II and III. Also try adjusting the working depth.

All tines are fitted with grub screws B. The grub screws of the center row can only be accessed when the outer row has been taken out.

Do not use "kick" action. Adjust the machine to 90 degrees. The (drilled) marks should all face to one side of the machine.

The part number for the complete block (without tines) = 480.251.740 (6 needed for a full set)

The part number for the solid tine = 311.105.125 (126 needed for a full set)